



CYLINDRICAL FUSE-HOLDER 10X38 1000V 25A 1-POLE WITH LED-SIGNAL DETECTOR FOR PHOTOVOLTAIC-APPLICATION

Similar to image

Technical data:

| | | |
|-------------------------------------|--|----------|
| Design of the electrical connection | | Other |
| Taille de la cartouche fusible | | 10x38 mm |
| Type of mounting | | others |
| Number of poles | | 1 |

Certificates/approvals:

General Product Approval



Further information:

Information- and Downloadcenter (Catalogs, Brochures,...)

<http://www.siemens.com/lowvoltage/catalogs>

Industry Mall (Online ordering system)

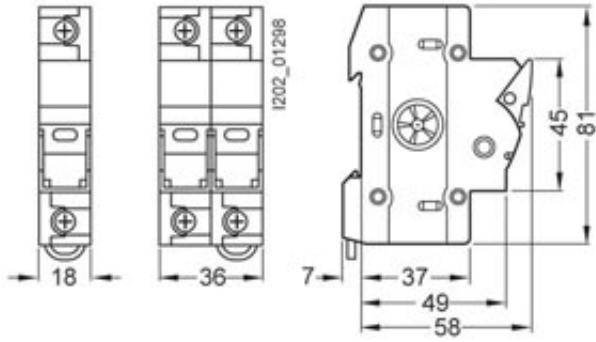
<http://www.siemens.com/lowvoltage/mall>

Service&Support (Manuals, Certificates, Characteristics, FAQs,...)

<http://support.automation.siemens.com/WWW/view/en/3NW7014-4/all>

Image database (product images, 2D dimension drawings, 3D models, device circuit diagrams, ...)

http://www.automation.siemens.com/bilddb/cax_en.aspx?mlfb=3NW7014-4



last change:

Feb 4, 2013