



fiber-optic sensors  
WLL190T-2, Fiber-optic photoelectric sensor

WLL190T-2P333



**Model Name** > [WLL190T-2P333](#)  
**Part No.** > [6032555](#)



*Illustration may differ*

**At a glance**

- Sensing range up to 4 m, sensing distance up to 480 mm
- Two separately adjustable channels
- Alarm output
- Optional analog output
- Integrated counter
- Bus-compatible with anti-interference
- 2 x 4-digit display
- Red and green LED emitter

**Your benefits**

- Two channels can be configured independently of one another, simplifying installation
- Simple commissioning and product changeover via external teach-in
- Bus communication saves space and money, reduces wiring and eliminates interference caused by fiber-optic heads mounted close to one another
- Easy monitoring of process parameters
- Time delays can be adjusted individually to suit the application
- APC for (Automatic Power Correction) long-term, stable detection
- Alarm output for reliable detection in adverse conditions, ensuring high process reliability



**Features**

Device type:	Stand-alone
Dimensions (W x H x D):	10.5 mm x 34.8 mm x 76.5 mm
Sensing range max.:::	0 m ... 4 m, through-beam system <sup>1) 2)</sup>
Sensing range:::	Ø)... 2 m, through-beam system, 0 mm ... 480 mm, proximity system <sup>3) 4)</sup>
Light source:	LED <sup>6)</sup>
Type of light:	Visible red light
Wave length:	650 nm
Sensitivity adjustment:	Teach-in button
Adjustment of operating distance:	Teach-in button
Teach-in:	Menu-controlled
Time type:	Without time delay time delay off switch on delay one shot

Delay time:	Programmable: 0 ... 9,999 ms
Indication:	Display
Sensor/detection principle:	Fiber-optic photoelectric sensor
Angle of dispersion:	Ca. 65 °
Housing design (light emission):	Rectangular
Display:	LED status display/2x 4-character digital dual displays, Set value (green indicator) and actual value (red indicator) are displayed simultaneously, display of parameters

1) Sensing range at response time 2 ms. Reduction at shorter response time (see LL3/ WLL190T-2 table) 2) LL3-TB01 and LL3-TA01 tip adaptor 3) Objects to be sensed with 90% reflectivity (based on DIN 5033 white standard). Sensing range with 2 ms response time. Reduction with shorter response time (see tables LL3/WLL190T-2) 4) LL3-DB01 5) LL3-TB01 6) Average service life of 100,000 h at T<sub>A</sub> = +25 °C

## Mechanics/electronics

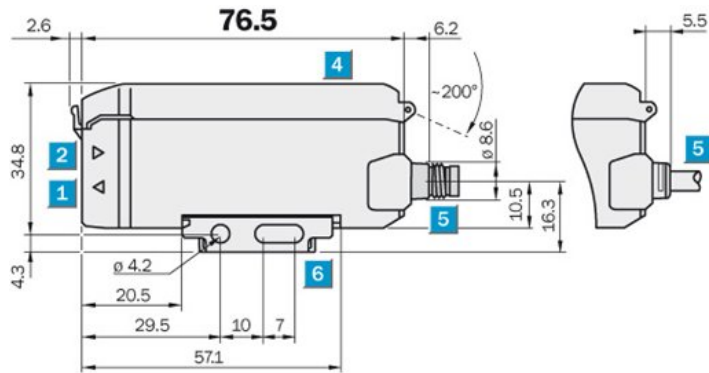
Enclosure rating:	IP 66 <sup>1)</sup>
Supply voltage:	10 V DC ... 24 V DC <sup>2)</sup>
Ripple:	≤ 10 % <sup>3)</sup>
Power consumption:	≤ 50 mA
Output type:	PNP, Light/dark-switching, manually selectable, open collector <sup>4)</sup>
Output current I <sub>max.</sub> :	≤ 100 mA
Response time:	≤ 2 ms ≤ 60 μs ≤ 250 μs
Switching frequency:	8,333 Hz 2,000 Hz 250 Hz
Connection type:	Connector M8, 3-pin
Protection class:	III
Circuit protection:::	A, B, C, D <sup>5) 6) 7) 8)</sup>
Special device:	0
Housing material:	ABS/PC
Ambient operating temperature:	-25 °C ... 55 °C <sup>9)</sup>
Ambient storage temperature:	-40 °C ... 70 °C
Weight:	25 g

Q; See LL3 fiber-optic data;

1) With correctly attached fibre-optic cable LL3 and closed protection hood 2) ± 10% 3) May not exceed or fall short of V<sub>S</sub> tolerances 4) Q 5) A = V<sub>S</sub> connections reverse-polarity protected 6) B = inputs and output reverse-polarity protected 7) C = interference suppression 8) D = outputs overcurrent and short-circuit protected 9)

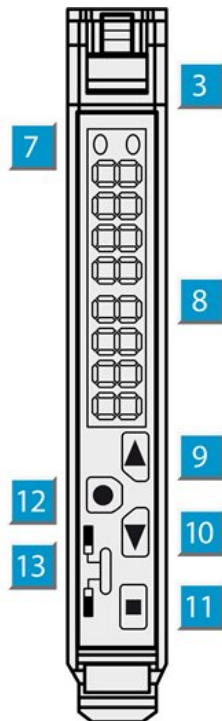
Operating temperature fluctuates according to number of devices connected: 4-8 devices: -25 °C ... +50 °C (output current 50 mA)/9-16 devices: -25 °C ... +45 °C (output current 20 mA)

## Dimensional drawing



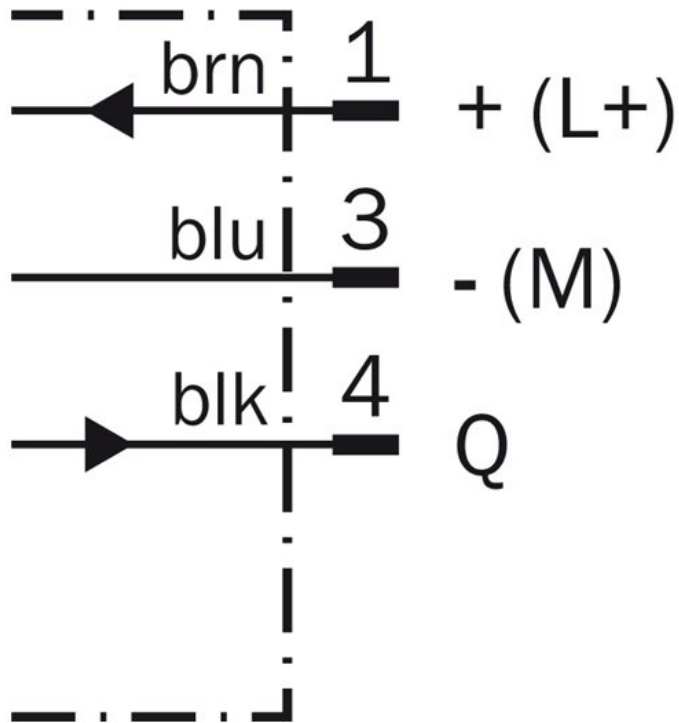
- [1] Sender LED, installation of LL3 fibre-optic cable (sender fibre)
- [2] Receiver, installation of LL3 fibre optic cable (receiver fibre)
- [3] Locking the fiber-optic cables
- [4] Protective hood, can be raised at both ends
- [5] Connector M8 or 1-wire cable or 3-wire cable replaceable (cables not included with delivery)
- [6] Mounting bracket, included

## Adjustments possible

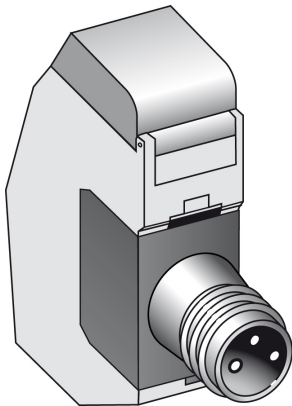


- [3] Locking the fiber-optic cables
- [7] Status indicator LED, yellow: Output active
- [8] Numeric display 3-digit and 4-digit
- [9] Step-button> (manual switching threshold: higher; or next function parameter)
- [10] Step-button< (manual switching threshold: lower; or previous function parameter)
- [11] Teach-in button
- [12] Mode/Enter-button
- [13] Operating mode selector switch: "SET" (active Teach-in switching threshold) / "RUN" (sensor mode and function parameter selection)

Connection diagram



Connection type



**Australia**

Phone +61 3 9457 0600  
1800 334 802 – tollfree  
E-Mail sales@sick.com.au

**Belgium/Luxembourg**

Phone +32 (0)2 466 55 66  
E-Mail info@sick.be

**Brasil**

Phone +55 11 3215-4900  
E-Mail sac@sick.com.br

**Canada**

Phone +1 905 771 14 44  
E-Mail information@sick.com

**Ceská Republika**

Phone +420 2 57 91 18 50  
E-Mail sick@sick.cz

**China**

Phone +86 4000 121 000  
E-Mail info.china@sick.net.cn  
Phone +852-2153 6300  
E-Mail ghk@sick.com.hk

**Danmark**

Phone +45 45 82 64 00  
E-Mail sick@sick.dk

**Deutschland**

Phone +49 211 5301-301  
E-Mail kundenservice@sick.de

**España**

Phone +34 93 480 31 00  
E-Mail info@sick.es

**France**

Phone +33 1 64 62 35 00  
E-Mail info@sick.fr

**Great Britain**

Phone +44 (0)1727 831121  
E-Mail info@sick.co.uk

**India**

Phone +91-22-4033 8333  
E-Mail info@sick-india.com

**Israel**

Phone +972-4-6801000  
E-Mail info@sick-sensors.com

**Italia**

Phone +39 02 27 43 41  
E-Mail info@sick.it

**Japan**

Phone +81 (0)3 3358 1341  
E-Mail support@sick.jp

**Magyarország**

Phone +36 1 371 2680  
E-Mail office@sick.hu

**Nederlands**

Phone +31 (0)30 229 25 44  
E-Mail info@sick.nl

**Norge**

Phone +47 67 81 50 00  
E-Mail austefjord@sick.no

**Österreich**

Phone +43 (0)22 36 62 28 8-0  
E-Mail office@sick.at

**Polska**

Phone +48 22 837 40 50  
E-Mail info@sick.pl

**România**

Phone +40 356 171 120  
E-Mail office@sick.ro

**Russia**

Phone +7-495-775-05-30  
E-Mail info@sick.ru

**Schweiz**

Phone +41 41 619 29 39  
E-Mail contact@sick.ch

**Singapore**

Phone +65 6744 3732  
E-Mail admin@sicksgp.com.sg

**Slovenija**

Phone +386 (0)1-47 69 990  
E-Mail office@sick.si

**South Africa**

Phone +27 11 472 3733  
E-Mail info@sickautomation.co.za

**South Korea**

Phone +82 2 786 6321/4  
E-Mail info@sickkorea.net

**Suomi**

Phone +358-9-25 15 800  
E-Mail sick@sick.fi

**Sverige**

Phone +46 10 110 10 00  
E-Mail info@sick.se

**Taiwan**

Phone +886-2-2375-6288  
E-Mail sales@sick.com.tw

**Türkiye**

Phone +90 (216) 528 50 00  
E-Mail info@sick.com.tr

**United Arab Emirates**

Phone +971 (0) 4 8865 878  
E-Mail info@sick.ae

**USA/México**

Phone +1(952) 941-6780  
1 800-325-7425 – tollfree  
E-Mail info@sickusa.com

More representatives and agencies  
at [www.sick.com](http://www.sick.com)