

ACCESSORIES FOR FUSE SWITCH DISCONNECTORS  
3NP50 MOULDED-PLASTIC MASKING FRAME 265 X  
135MM

Similar to image

### Technical data:

Accessories

Masking frame

### Certificates/approvals:

General Product  
Approval

other



GOST

[Declaration of  
Conformity](#)

### Further information:

**Information- and Downloadcenter (Catalogs, Brochures,...)**

<http://www.siemens.com/lowvoltage/catalogs>

**Industry Mall (Online ordering system)**

<https://eb.automation.siemens.com/mall/en/WW/Catalog/Product/3NY1107>

**Service&Support (Manuals, Certificates, Characteristics, FAQs,...)**

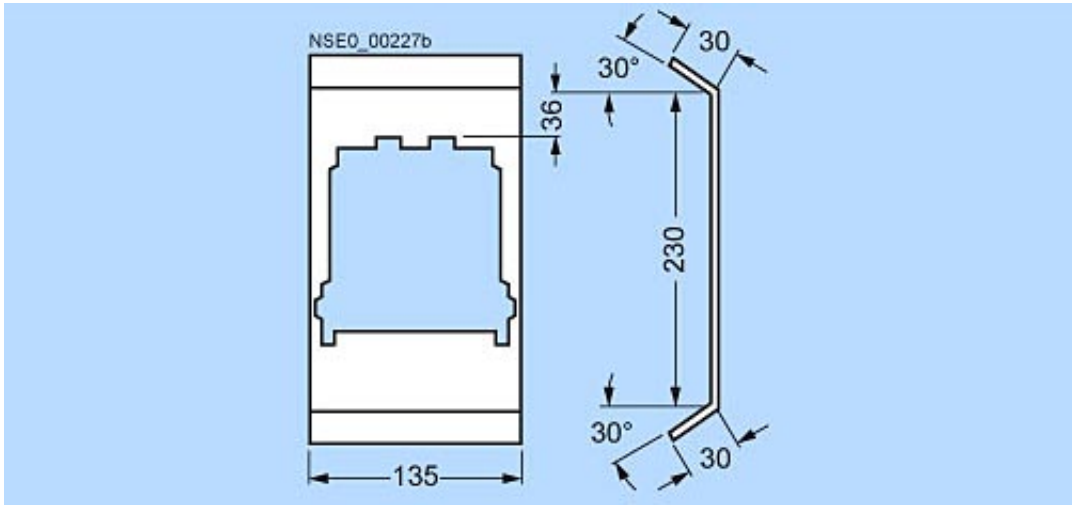
<http://support.automation.siemens.com/WW/view/en/3NY1107/all>

**Image database (product images, 2D dimension drawings, 3D models, device circuit diagrams, ...)**

[http://www.automation.siemens.com/bilddb/cax\\_en.aspx?mlfb=3NY1107](http://www.automation.siemens.com/bilddb/cax_en.aspx?mlfb=3NY1107)

**CAX-Online-Generator**

<http://www.siemens.com/cax>



last change:

Jun 30, 2014