



LOAD FEEDER FUSELESS DIRECT STARTING, AC
400V, SIZES 00 0.18...0.25 A,
DC 24 V, 1NO (CONTACTOR),
SCREW CONNECT. ON 60 MM BUSBAR ADAPTER TYPE
OF COORDIN. 2,
IQ = 50 KA

General technical data:

| | | |
|---|----|-----------------------|
| product brand name | | SIRIUS |
| Product designation | | non-fused load feeder |
| Design of the product | | direct starter |
| Size of the load feeder | | S00 |
| Protection class IP / on the front | | IP20 |
| Degree of pollution | | 3 |
| Insulation voltage / rated value | V | 690 |
| Installation altitude / at a height over sea level / maximum | m | 2,000 |
| Ambient temperature | | |
| • during storage | °C | -55 ... +80 |
| • during operating | °C | -20 ... +70 |
| Resistance against shock | | 9.8g |
| Impulse voltage resistance / rated value | kV | 6 |
| Reference code | | |
| • according to DIN 40719 extended according to IEC 204-2 / according to IEC 750 | | Q |
| • according to DIN EN 61346-2 | | Q |
| Type of assignment | | 2 |
| Mechanical operating cycles as operating time / of the contactor / typical | | 30,000,000 |

| | | |
|--|---|--|
| Manufacturer article number | | |
| <ul style="list-style-type: none"> • of the circuit-breakers included in the scope of supply • of the contactor included in the scope of supply • of the link module included in the scope of supply • of the busbar adapter included in the scope of supply | | 3RV1011-0CA10 3RT1015-1BB41 3RA1911-1AA00 8US1251-5DM07 |
| Design of the switching contact | | electromechanical |
| Type of the motor protection | | bimetal |
| Adjustable response current | | |
| <ul style="list-style-type: none"> • of the current-dependent overload release | A | 0.18 ... 0.25 |

Communication/ Protocol:

| | | |
|---|--|----|
| Product function / bus-communication | | No |
| Protocol / is supported | | |
| <ul style="list-style-type: none"> • AS interface protocol | | No |
| <ul style="list-style-type: none"> • PROFIBUS DP protocol | | No |
| <ul style="list-style-type: none"> • PROFINET protocol | | No |

Main circuit:

| | | |
|---|-----|------|
| Number of poles / for main current circuit | | 3 |
| Operating voltage / at AC-3 / rated value / maximum | V | 400 |
| Operating current / at AC-3 / at 400 V / rated value | A | 0.2 |
| Service power / at AC-3 / at 400 V / rated value | kW | 0.06 |
| Off-load operating frequency | 1/s | 15 |

Control circuit/ Control:

| | | |
|---|---|----|
| Voltage type / of control feed voltage | | DC |
| Control supply voltage / 1 | | |
| <ul style="list-style-type: none"> • for DC • rated value | V | 24 |

Auxiliary circuit:

| | | |
|---|--|-----|
| Product extension / auxiliary switch | | Yes |
| Number of NO contacts / for auxiliary contacts | | 1 |

Inputs/ Outputs:

| | | |
|---------------------------------|--|---|
| Number of digital inputs | | 0 |
|---------------------------------|--|---|

Short-circuit:

| | | |
|--|----|------------------|
| Product function / short circuit protection | | Yes |
| Design of the short-circuit protection | | circuit-breakers |
| Breaking capacity limit short-circuit current (I_{cu}) / at 400 V / rated value | kA | 50 |

Installation/ mounting/ dimensions:

| | | |
|---|----|---|
| mounting position | | bei senkrechter Montageebene +/-90° drehbar, bei senkrechter Montageebene +/- 22,5° nach vorne und hinten kippbar |
| Mounting type | | snap-on mounting |
| Width | mm | 45 |
| Height | mm | 203 |
| Depth | mm | 128 |
| Center line spacing | mm | 60 |
| Distance, to be maintained, to the ranks assembly / sideways | mm | 0 |
| Distance, to be maintained, to earthed part | | |
| • forwards | mm | 10 |
| • backwards | mm | 0 |
| • upwards | mm | 20 |
| • sideways | mm | 9 |
| Distance, to be maintained, conductive elements | | |
| • forwards | mm | 10 |
| • backwards | mm | 9 |
| • downwards | mm | 0 |
| • sideways | mm | 20 |

Connections/ terminals:

| | | |
|---|--|---|
| Design of the electrical connection / for main current circuit | | screw-type terminals |
| Type of the connectable conductor cross-section | | |
| • for main contacts | | |
| • solid | | 0.5 ... 4 mm ² , 2x (0.75 ... 2.5 mm ²) |
| • stranded | | 0.5 ... 4 mm ² , 2x (0.75 ... 2.5 mm ²) |
| • finely stranded / with conductor end processing | | 0.5 ... 2.5 mm ² , 2x (0.5 ... 2.5 mm ²) |
| • for AWG conductors / for main contacts | | 2x (18 ... 14) |
| Verification of suitability | | UL / CSA / CCC / GL / LRS / BV / DNV / PRS |

Certificates/ approvals:

General Product Approval

For use in hazardous locations

Declaration of Conformity



Shipping Approval



other

[other](#)

[Environmental Confirmations](#)

Further information:

Information- and Downloadcenter (Catalogs, Brochures,...)

<http://www.siemens.com/industrial-controls/catalogs>

Industry Mall (Online ordering system)

<http://www.siemens.com/industrial-controls/mall>

Cax online generator

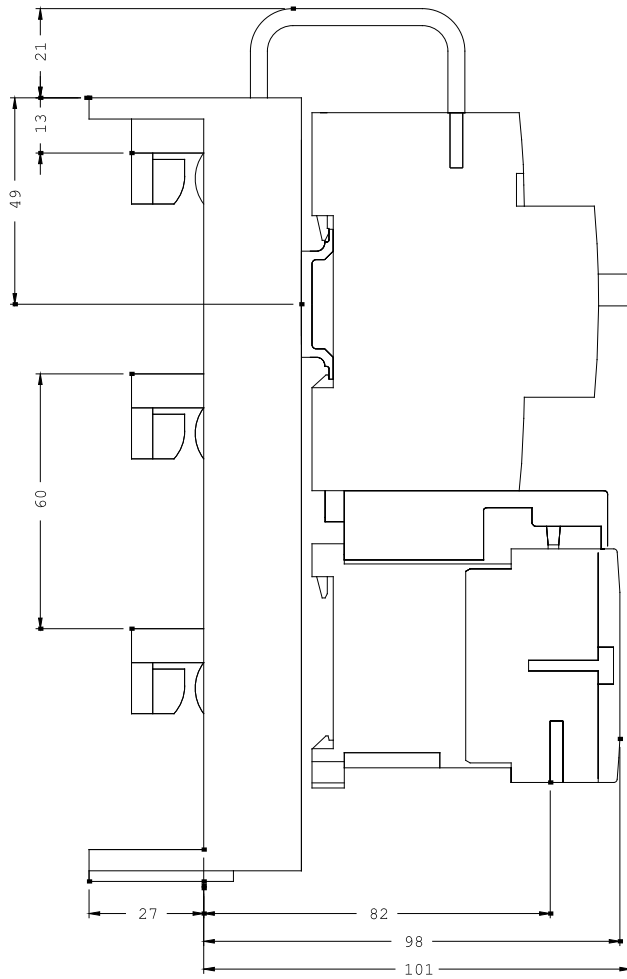
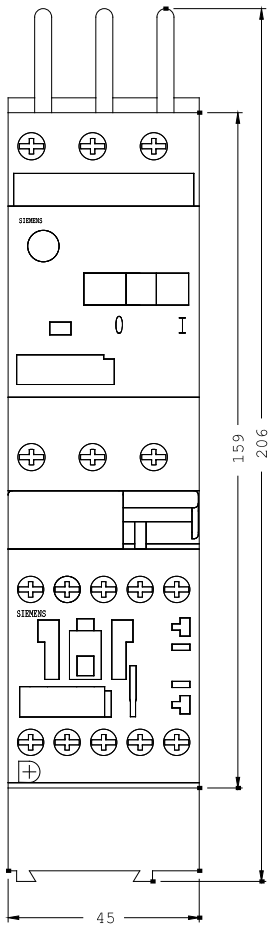
<http://www.siemens.com/cax>

Service&Support (Manuals, Certificates, Characteristics, FAQs,...)

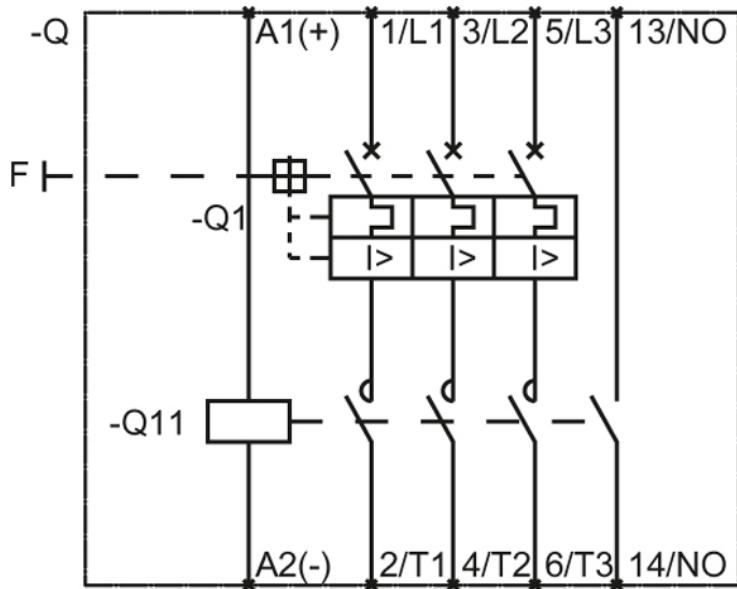
<http://support.automation.siemens.com/WW/view/en/3RA1110-0CD15-1BB4/all>

Image database (product images, 2D dimension drawings, 3D models, device circuit diagrams, ...)

http://www.automation.siemens.com/bilddb/cax_en.aspx?mlfb=3RA1110-0CD15-1BB4



3RA1110_000



last change:

Jul 28, 2014