



LOAD FEEDER FUSELESS DIRECT STARTING, AC
400V, SIZES 00 0.28...0.4 A,
DC 24 V, 1NO (CONTACTOR),
SCREW CONNECT. ON 40 MM BUSBAR ADAPTER TYPE
OF COORDIN. 2,
IQ = 50 KA

General technical data:

product brand name		SIRIUS
Product designation		non-fused load feeder
Design of the product		direct starter
Size of the load feeder		S00
Protection class IP / on the front		IP20
Degree of pollution		3
Insulation voltage / rated value	V	690
Installation altitude / at a height over sea level / maximum	m	2,000
Ambient temperature		
• during storage	°C	-55 ... +80
• during operating	°C	-20 ... +70
Resistance against shock		9.8g
Impulse voltage resistance / rated value	kV	6
Reference code		
• according to DIN 40719 extended according to IEC 204-2 / according to IEC 750		Q
• according to DIN EN 61346-2		Q
Type of assignment		2
Mechanical operating cycles as operating time / of the contactor / typical		30,000,000

Manufacturer article number		
<ul style="list-style-type: none"> • of the circuit-breakers included in the scope of supply • of the contactor included in the scope of supply • of the link module included in the scope of supply • of the busbar adapter included in the scope of supply 		3RV1011-0EA10 3RT1015-1BB41 3RA1911-1AA00 8US1051-5DM07
Design of the switching contact		electromechanical
Type of the motor protection		bimetal
Adjustable response current		
<ul style="list-style-type: none"> • of the current-dependent overload release 	A	0.28 ... 0.4

Communication/ Protocol:

Product function / bus-communication		No
Protocol / is supported		
<ul style="list-style-type: none"> • AS interface protocol 		No
<ul style="list-style-type: none"> • PROFIBUS DP protocol 		No
<ul style="list-style-type: none"> • PROFINET protocol 		No

Main circuit:

Number of poles / for main current circuit		3
Operating voltage / at AC-3 / rated value / maximum	V	400
Operating current / at AC-3 / at 400 V / rated value	A	0.3
Service power / at AC-3 / at 400 V / rated value	kW	0.09
Off-load operating frequency	1/s	15

Control circuit/ Control:

Voltage type / of control feed voltage		DC
Control supply voltage / 1		
<ul style="list-style-type: none"> • for DC • rated value 	V	24

Auxiliary circuit:

Product extension / auxiliary switch		Yes
Number of NO contacts / for auxiliary contacts		1

Inputs/ Outputs:

Number of digital inputs		0
---------------------------------	--	---

Short-circuit:

Product function / short circuit protection		Yes
Design of the short-circuit protection		circuit-breakers
Breaking capacity limit short-circuit current (I_{cu}) / at 400 V / rated value	kA	50

Installation/ mounting/ dimensions:

mounting position		bei senkrechter Montageebene +/-90° drehbar, bei senkrechter Montageebene +/- 22,5° nach vorne und hinten kippbar
Mounting type		snap-on mounting
Width	mm	45
Height	mm	203
Depth	mm	128
Center line spacing	mm	40
Distance, to be maintained, to the ranks assembly / sideways	mm	0
Distance, to be maintained, to earthed part		
• forwards	mm	10
• backwards	mm	0
• upwards	mm	20
• sideways	mm	9
Distance, to be maintained, conductive elements		
• forwards	mm	10
• backwards	mm	9
• downwards	mm	0
• sideways	mm	20

Connections/ terminals:

Design of the electrical connection / for main current circuit		screw-type terminals
Type of the connectable conductor cross-section		
• for main contacts		
• solid		0.5 ... 4 mm ² , 2x (0.75 ... 2.5 mm ²)
• stranded		0.5 ... 4 mm ² , 2x (0.75 ... 2.5 mm ²)
• finely stranded / with conductor end processing		0.5 ... 2.5 mm ² , 2x (0.5 ... 2.5 mm ²)
• for AWG conductors / for main contacts		2x (18 ... 14)
Verification of suitability		UL / CSA / CCC / GL / LRS / BV / DNV / PRS

Certificates/ approvals:

General Product Approval

For use in
hazardous
locations

Declaration of Conformity



Shipping Approval



other

[other](#)

[Environmental
Confirmations](#)

Further information:

Information- and Downloadcenter (Catalogs, Brochures,...)

<http://www.siemens.com/industrial-controls/catalogs>

Industry Mall (Online ordering system)

<http://www.siemens.com/industrial-controls/mall>

Cax online generator

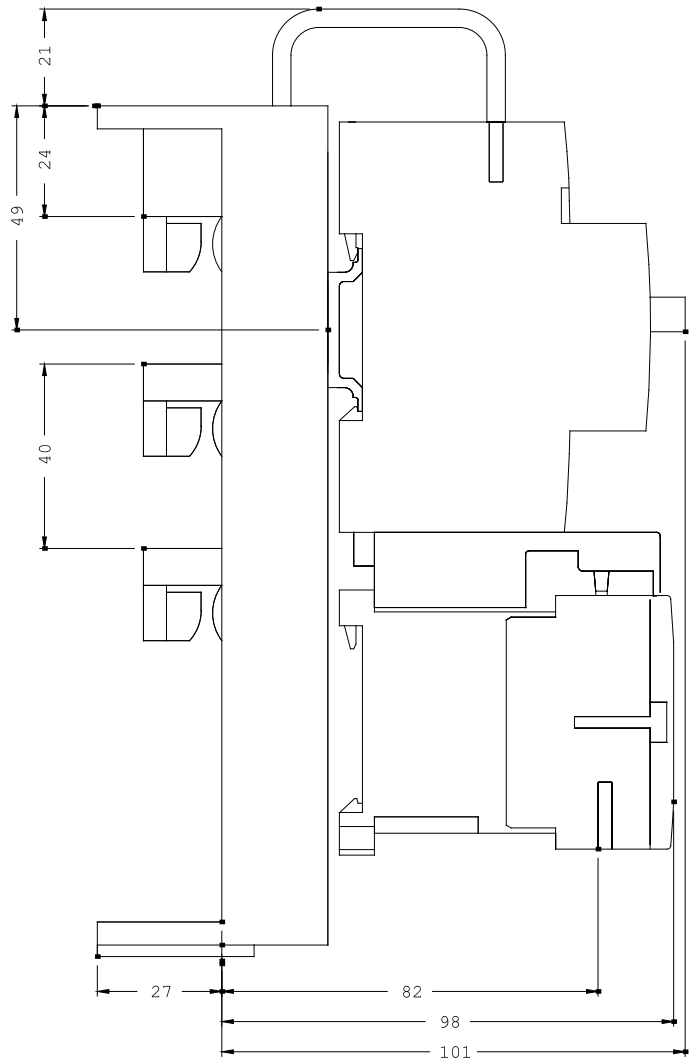
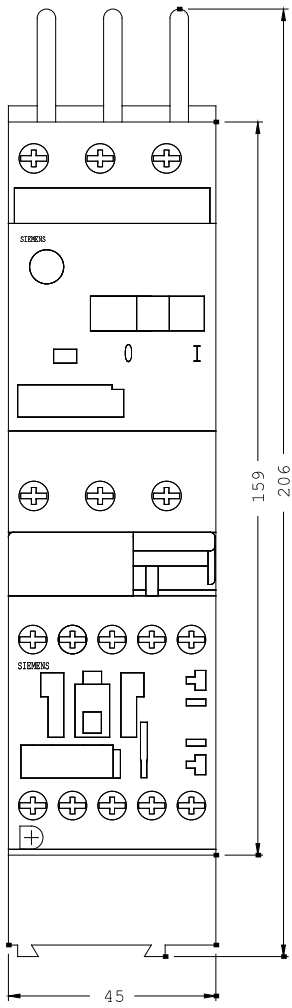
<http://www.siemens.com/cax>

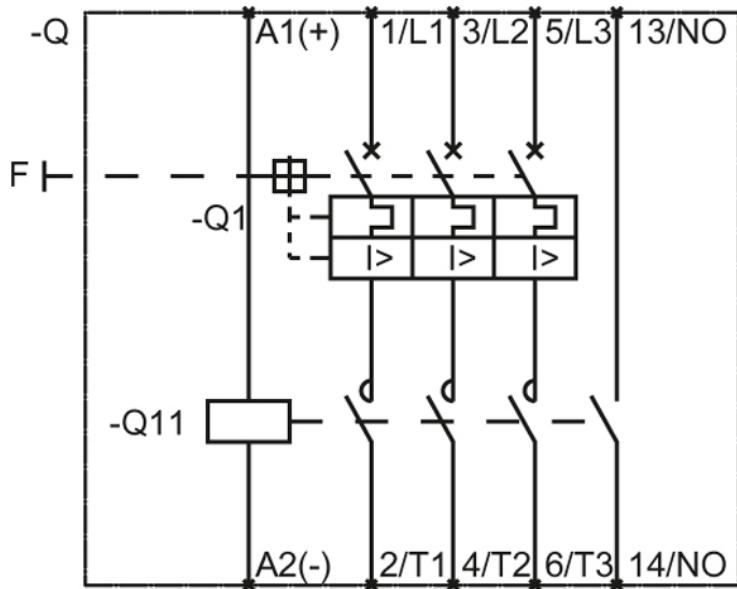
Service&Support (Manuals, Certificates, Characteristics, FAQs,...)

<http://support.automation.siemens.com/WW/view/en/3RA1110-0EC15-1BB4/all>

Image database (product images, 2D dimension drawings, 3D models, device circuit diagrams, ...)

http://www.automation.siemens.com/bilddb/cax_en.aspx?mlfb=3RA1110-0EC15-1BB4





last change:

Jul 28, 2014