



Capacitive Proximity Sensors  
Cylindrical threaded housing, CM18 PTFE

CM18-08BPP-TW0



**Model Name** > [CM18-08BPP-TW0](#)  
**Part No.** > [6026195](#)



**At a glance**

- M18 - Cylindrical housing
- Operating distance up to 8 mm
- Best-in-class electromagnetic compatibility
- Short-circuit, reverse polarity, and power-up pulse suppression protection
- LED status indicator
- IP 67 enclosure rating
- Complementary output function
- PTFE housing with M18 x 1 mm

**Your benefits**

- Fewer maintenance costs due to a durable PTFE (Teflon®) housing that withstands harsh industrial applications
- Quick and easy adjustment via potentiometer saves installation and setup time
- Simple, cost-saving detection alternative to photoelectric and inductive sensors in applications such as detecting product in a sealed box, container or tank
- High EMC immunity prevents false switching, which reduces material loss and increases throughput
- High shock and vibration resistance increases sensor life and reduces maintenance costs



**Features**

Housing:	Cylindrical
Thread size:	M18 x 1
Sensing range Sn:	8 mm
Assured sensing range Sa:	5.76 mm
Installation type:	Flush
Sensitivity adjustment:	Potentiometer, 270°
Switching frequency:	± 30 Hz
Output type:	PNP
Output function:	Complementary
Electrical wiring:	DC 4-wire
Enclosure rating:	IP 67 <sup>1)</sup>
Connection type:	Cable, 4-wire, 2 m <sup>2)</sup>

<sup>1)</sup> According to EN 60529 <sup>2)</sup> Do not bend below 0 °C

## Mechanics/electronics

---

Supply voltage:	10 V DC ... 40 V DC
Ripple:	$\leq 10\%$ <sup>1)</sup>
Voltage drop:	$\leq 2.5\text{ V DC}$ <sup>2)</sup>
Power consumption:	$\leq 10\text{ mA}$ <sup>3)</sup>
Time delay before availability:	$\leq 100\text{ ms}$
Hysteresis:	4 % ... 20 %
Repeatability:	$\leq 5\%$ <sup>4) 5)</sup>
Temperature drift (% of Sr):	$\pm 10\%$
EMC:	According to EN 60947-5-2 <sup>6)</sup>
Output current I <sub>a</sub> :	$\leq 200\text{ mA}$
Cable material:	PVC
Conductor cross-section:	0.34 mm <sup>2</sup>
Short-circuit protection:	✓
Reverse polarity protection:	✓
Power-up pulse protection:	✓
Shock/vibration:	30 g, 11 ms/10 ... 55 Hz, 1 mm
Ambient operating temperature:	-25 °C ... 60 °C
Housing material:	PTFE
Housing length:	71.5 mm
Thread length:	46.5 mm
Tightening torque, max.:	$\leq 2.6\text{ Nm}$

<sup>1)</sup> Of U<sub>b</sub> <sup>2)</sup> At I<sub>a</sub> max <sup>3)</sup> Without load <sup>4)</sup> Of Sr <sup>5)</sup> U<sub>b</sub> and T<sub>a</sub> constant <sup>6)</sup> In EMC critical applications, conducted interference levels may lie in the frequency range of the oscillator. This can cause changes to the output signal.(see operating instructions)

## Reduction factors

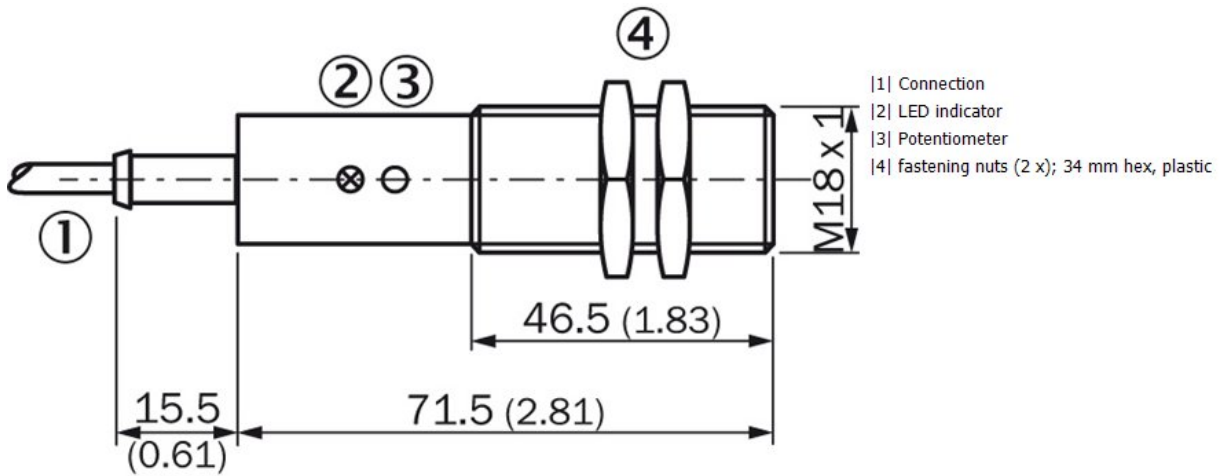
---

Note:	The values are reference values which may vary
Metal:	1
Water:	1
PVC:	Ca. 0.4
Oil:	Ca. 0.25

## Installation note

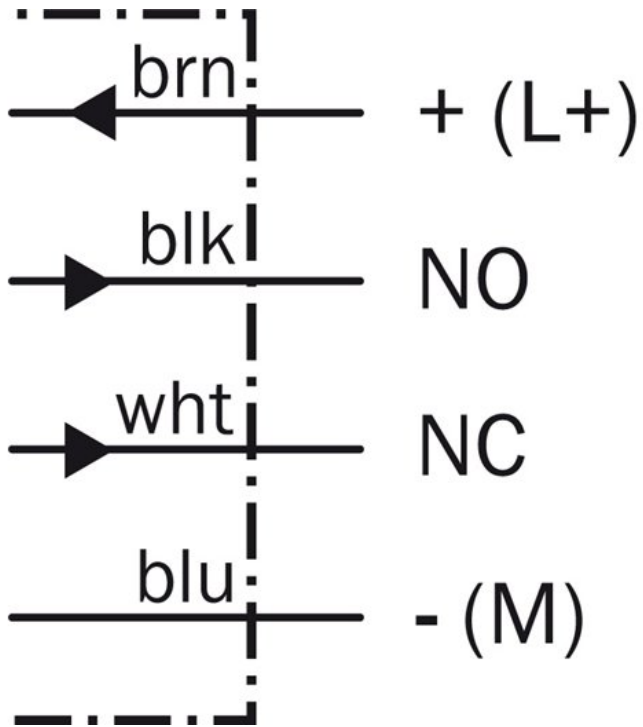


## Dimensional drawing

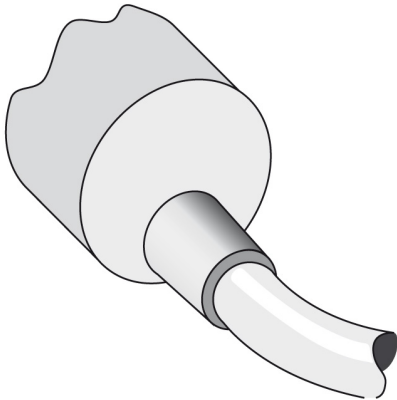


All dimensions in mm (inch)

Connection diagram



Connection type



**Australia**

Phone +61 3 9457 0600  
1800 334 802 – tollfree  
E-Mail sales@sick.com.au

**Belgium/Luxembourg**

Phone +32 (0)2 466 55 66  
E-Mail info@sick.be

**Brasil**

Phone +55 11 3215-4900  
E-Mail sac@sick.com.br

**Canada**

Phone +1 905 771 14 44  
E-Mail information@sick.com

**Ceská Republika**

Phone +420 2 57 91 18 50  
E-Mail sick@sick.cz

**China**

Phone +86 4000 121 000  
E-Mail info.china@sick.net.cn  
Phone +852-2153 6300  
E-Mail ghk@sick.com.hk

**Danmark**

Phone +45 45 82 64 00  
E-Mail sick@sick.dk

**Deutschland**

Phone +49 211 5301-301  
E-Mail kundenservice@sick.de

**España**

Phone +34 93 480 31 00  
E-Mail info@sick.es

**France**

Phone +33 1 64 62 35 00  
E-Mail info@sick.fr

**Great Britain**

Phone +44 (0)1727 831121  
E-Mail info@sick.co.uk

**India**

Phone +91-22-4033 8333  
E-Mail info@sick-india.com

**Israel**

Phone +972-4-6801000  
E-Mail info@sick-sensors.com

**Italia**

Phone +39 02 27 43 41  
E-Mail info@sick.it

**Japan**

Phone +81 (0)3 3358 1341  
E-Mail support@sick.jp

**Magyarország**

Phone +36 1 371 2680  
E-Mail office@sick.hu

**Nederlands**

Phone +31 (0)30 229 25 44  
E-Mail info@sick.nl

**Norge**

Phone +47 67 81 50 00  
E-Mail austefjord@sick.no

**Österreich**

Phone +43 (0)22 36 62 28 8-0  
E-Mail office@sick.at

**Polska**

Phone +48 22 837 40 50  
E-Mail info@sick.pl

**România**

Phone +40 356 171 120  
E-Mail office@sick.ro

**Russia**

Phone +7-495-775-05-30  
E-Mail info@sick.ru

**Schweiz**

Phone +41 41 619 29 39  
E-Mail contact@sick.ch

**Singapore**

Phone +65 6744 3732  
E-Mail admin@sicksgp.com.sg

**Slovenija**

Phone +386 (0)1-47 69 990  
E-Mail office@sick.si

**South Africa**

Phone +27 11 472 3733  
E-Mail info@sickautomation.co.za

**South Korea**

Phone +82 2 786 6321/4  
E-Mail info@sickkorea.net

**Suomi**

Phone +358-9-25 15 800  
E-Mail sick@sick.fi

**Sverige**

Phone +46 10 110 10 00  
E-Mail info@sick.se

**Taiwan**

Phone +886-2-2375-6288  
E-Mail sales@sick.com.tw

**Türkiye**

Phone +90 (216) 528 50 00  
E-Mail info@sick.com.tr

**United Arab Emirates**

Phone +971 (0) 4 8865 878  
E-Mail info@sick.ae

**USA/México**

Phone +1(952) 941-6780  
1 800-325-7425 – tollfree  
E-Mail info@sickusa.com

More representatives and agencies  
at [www.sick.com](http://www.sick.com)