



## Magnetic Cylinder Sensors Sensors for T-slot cylinders

MZT8-03VPS-KUD



**Model Name** > [MZT8-03VPS-KUD](#)  
**Part No.** > [1054051](#)



**At a glance**

- Magnetic piston detection for all conventional pneumatic cylinders with T-slots
- Short sensor housing length - only 24 mm
- Sensor element at the tip of the housing
- Proprietary GMR-ASIC technology ensures precise switching and low hysteresis
- Enclosure rating: IP 68 / IP 69K (PUR) respectively IP 67 / IP 69K (PVC)
- Captive screw
- LED function indicator
- For all commonly used cylinders with T-slots, e.g., Festo or SMC and it can be applied to multiple cylinders types such as round, tie-rod, integrated profile or dove-tail cylinders with mounting brackets

**Your benefits**

- Shortest sensor on the market, making it ideal for short stroke cylinders
- Sensor element at the tip of the sensor - piston detection possible without stroke loss
- Captive installation screw enables reliable and optimized installation
- Time saving "single-handed mounting" with 1/4 turn
- Flexible installation via Allen wrench or flathead screwdriver
- Extremely rugged housing - rated for IP67 respectively IP 68 and IP 69K, enlarging sensor life time



**Features**

Output type:	PNP
Output function:	NO
Electrical wiring:	DC 3-wire
Enclosure rating:	IP 68 <sup>1)</sup> IP 69K
Sensing face:	Front
Cylinder types with adapter:	Profile cylinder Roundbody cylinder Dove-tail groove cylinder SMC rail cylinder CDQ2 (T-Slot) SMC rail cylinder ECDQ2 (T-Slot) Tie rod cylinder
Housing length:	24 mm
Switching frequency typ.:	1,000 Hz
Cylinder type:	T-slot

1) According to EN40050

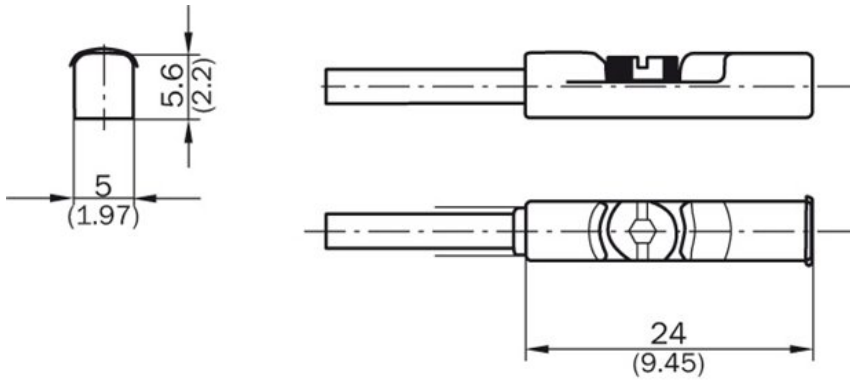
### Mechanics/electronics

---

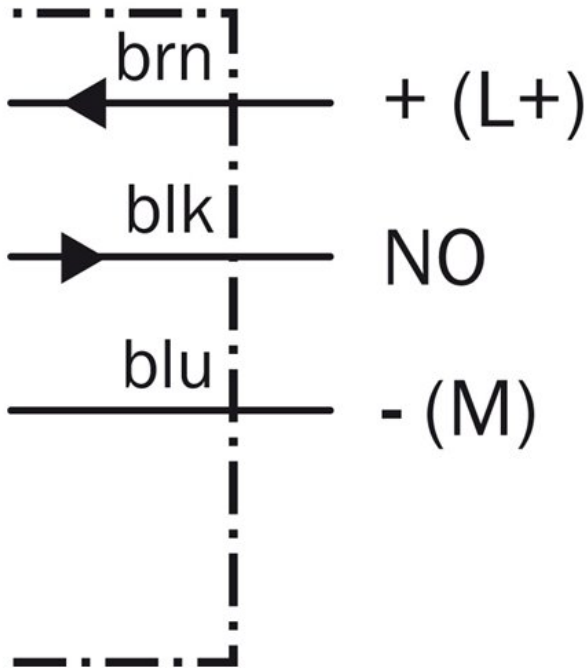
Connection type:	Cable, 3-wire, 10 m
Supply voltage:	10 V DC ... 30 V DC
Power consumption:	$\leq 10 \text{ mA}$ <sup>1)</sup>
Voltage drop:	$\leq 2.2 \text{ V}$
Output current $I_a$ :	$\leq 200 \text{ mA}$
Hysteresis:	$> 0.5 \text{ mT}$
Repeatability:	$\leq 0.1 \text{ mT}$ <sup>2)</sup>
EMC:	According to EN 60947-5-2
Cable material:	PUR
Reverse polarity protection:	✓
Short-circuit protection:	✓
Housing material:	Plastic
Housing cap material:	PA12
Sensing face material:	Plastic
Ambient operating temperature:	$-30 \text{ °C} \dots 80 \text{ °C}$
Power-up pulse protection:	✓
Magnetic field sensitivity, min.:	2.6 mT
Overrun distance typ.:	3 mm
Shock/vibration:	30 g, 11 ms/10 ... 55 Hz, 1 mm

1) Without load <sup>2)</sup>  $U_b$  and  $T_a$  constant

Dimensional drawing

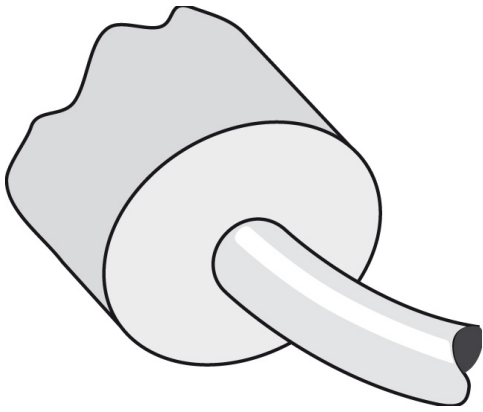


Connection diagram



Connection type

---



**Australia**

Phone +61 3 9457 0600  
1800 334 802 – tollfree  
E-Mail sales@sick.com.au

**Belgium/Luxembourg**

Phone +32 (0)2 466 55 66  
E-Mail info@sick.be

**Brasil**

Phone +55 11 3215-4900  
E-Mail sac@sick.com.br

**Canada**

Phone +1 905 771 14 44  
E-Mail information@sick.com

**Ceská Republika**

Phone +420 2 57 91 18 50  
E-Mail sick@sick.cz

**China**

Phone +86 4000 121 000  
E-Mail info.china@sick.net.cn  
Phone +852-2153 6300  
E-Mail ghk@sick.com.hk

**Danmark**

Phone +45 45 82 64 00  
E-Mail sick@sick.dk

**Deutschland**

Phone +49 211 5301-301  
E-Mail kundenservice@sick.de

**España**

Phone +34 93 480 31 00  
E-Mail info@sick.es

**France**

Phone +33 1 64 62 35 00  
E-Mail info@sick.fr

**Great Britain**

Phone +44 (0)1727 831121  
E-Mail info@sick.co.uk

**India**

Phone +91-22-4033 8333  
E-Mail info@sick-india.com

**Israel**

Phone +972-4-6801000  
E-Mail info@sick-sensors.com

**Italia**

Phone +39 02 27 43 41  
E-Mail info@sick.it

**Japan**

Phone +81 (0)3 3358 1341  
E-Mail support@sick.jp

**Magyarország**

Phone +36 1 371 2680  
E-Mail office@sick.hu

**Nederlands**

Phone +31 (0)30 229 25 44  
E-Mail info@sick.nl

**Norge**

Phone +47 67 81 50 00  
E-Mail austefjord@sick.no

**Österreich**

Phone +43 (0)22 36 62 28 8-0  
E-Mail office@sick.at

**Polska**

Phone +48 22 837 40 50  
E-Mail info@sick.pl

**România**

Phone +40 356 171 120  
E-Mail office@sick.ro

**Russia**

Phone +7-495-775-05-30  
E-Mail info@sick.ru

**Schweiz**

Phone +41 41 619 29 39  
E-Mail contact@sick.ch

**Singapore**

Phone +65 6744 3732  
E-Mail admin@sicksgp.com.sg

**Slovenija**

Phone +386 (0)1-47 69 990  
E-Mail office@sick.si

**South Africa**

Phone +27 11 472 3733  
E-Mail info@sickautomation.co.za

**South Korea**

Phone +82 2 786 6321/4  
E-Mail info@sickkorea.net

**Suomi**

Phone +358-9-25 15 800  
E-Mail sick@sick.fi

**Sverige**

Phone +46 10 110 10 00  
E-Mail info@sick.se

**Taiwan**

Phone +886-2-2375-6288  
E-Mail sales@sick.com.tw

**Türkiye**

Phone +90 (216) 528 50 00  
E-Mail info@sick.com.tr

**United Arab Emirates**

Phone +971 (0) 4 8865 878  
E-Mail info@sick.ae

**USA/México**

Phone +1(952) 941-6780  
1 800-325-7425 – tollfree  
E-Mail info@sickusa.com

More representatives and agencies  
at [www.sick.com](http://www.sick.com)