



LOAD FEEDER FUSELESS DIRECT STARTING,AC
400V, SIZES00 2.8...4 A,
AC 230 V, 50 KA, 1NO(CONTACTOR),
SCREW CONNECT. ON 60 MM BUSBAR ADAPTER TYPE
OF COORDIN. 1,
IQ = 50 KA

General technical data:

product brand name		SIRIUS
Product designation		non-fused load feeder
Design of the product		direct starter
Size of the load feeder		S00
Protection class IP / on the front		IP20
Degree of pollution		3
Insulation voltage / rated value	V	690
Installation altitude / at a height over sea level / maximum	m	2,000
Ambient temperature		
• during storage	°C	-55 ... +80
• during operating	°C	-20 ... +70
Resistance against shock		9.8g
Impulse voltage resistance / rated value	kV	6
Reference code		
• according to DIN 40719 extended according to IEC 204-2 / according to IEC 750		Q
• according to DIN EN 61346-2		Q
Type of assignment		1
Mechanical operating cycles as operating time / of the contactor / typical		30,000,000

Manufacturer article number		
<ul style="list-style-type: none"> • of the circuit-breakers included in the scope of supply • of the contactor included in the scope of supply • of the link module included in the scope of supply • of the busbar adapter included in the scope of supply 		3RV1011-1EA10 3RT1015-1AP01 3RA1911-1AA00 8US1251-5DM07
Design of the switching contact		electromechanical
Type of the motor protection		bimetal
Adjustable response current		
<ul style="list-style-type: none"> • of the current-dependent overload release 	A	2.8 ... 4

Communication/ Protocol:

Product function / bus-communication		No
Protocol / is supported		
<ul style="list-style-type: none"> • AS interface protocol 		No
<ul style="list-style-type: none"> • PROFIBUS DP protocol 		No
<ul style="list-style-type: none"> • PROFINET protocol 		No

Main circuit:

Number of poles / for main current circuit		3
Operating voltage / at AC-3 / rated value / maximum	V	400
Operating current / at AC-3 / at 400 V / rated value	A	3.6
Service power / at AC-3 / at 400 V / rated value	kW	1.5
Off-load operating frequency	1/s	15

Control circuit/ Control:

Voltage type / of control feed voltage		AC
Control supply voltage frequency / 1		
<ul style="list-style-type: none"> • rated value 	Hz	50
Control supply voltage / 1		
<ul style="list-style-type: none"> • at 50 Hz / for AC • rated value 	V	230

Auxiliary circuit:

Product extension / auxiliary switch		Yes
Number of NO contacts / for auxiliary contacts		1

Inputs/ Outputs:

Number of digital inputs		0
---------------------------------	--	---

Short-circuit:

Product function / short circuit protection		Yes
Design of the short-circuit protection		circuit-breakers

Breaking capacity limit short-circuit current (Icu) / at 400 V / rated value	kA	50
---	----	----

Installation/ mounting/ dimensions:

mounting position		bei senkrechter Montageebene +/-90° drehbar, bei senkrechter Montageebene +/- 22,5° nach vorne und hinten kippbar
Mounting type		for snapping onto 60 mm busbar systems
Width	mm	45
Height	mm	203
Depth	mm	128
Center line spacing	mm	60
Distance, to be maintained, to the ranks assembly / sideways	mm	0
Distance, to be maintained, to earthed part		
• forwards	mm	10
• backwards	mm	0
• upwards	mm	20
• sideways	mm	9
Distance, to be maintained, conductive elements		
• forwards	mm	10
• backwards	mm	9
• downwards	mm	0
• sideways	mm	20

Connections/ terminals:

Design of the electrical connection / for main current circuit		screw-type terminals
Type of the connectable conductor cross-section		
• for main contacts		
• solid		0.5 ... 4 mm ² , 2x (0.75 ... 2.5 mm ²)
• stranded		0.5 ... 4 mm ² , 2x (0.75 ... 2.5 mm ²)
• finely stranded / with conductor end processing		0.5 ... 2.5 mm ² , 2x (0.5 ... 2.5 mm ²)
• for AWG conductors / for main contacts		2x (18 ... 14)
Verification of suitability		UL / CSA / CCC / GL / LRS / BV / DNV / PRS

Certificates/ approvals:

General Product Approval

For use in hazardous locations

Declaration of Conformity



Shipping Approval



other

[other](#)

[Environmental Confirmations](#)

Further information:

Information- and Downloadcenter (Catalogs, Brochures,...)

<http://www.siemens.com/industrial-controls/catalogs>

Industry Mall (Online ordering system)

<http://www.siemens.com/industrial-controls/mall>

Cax online generator

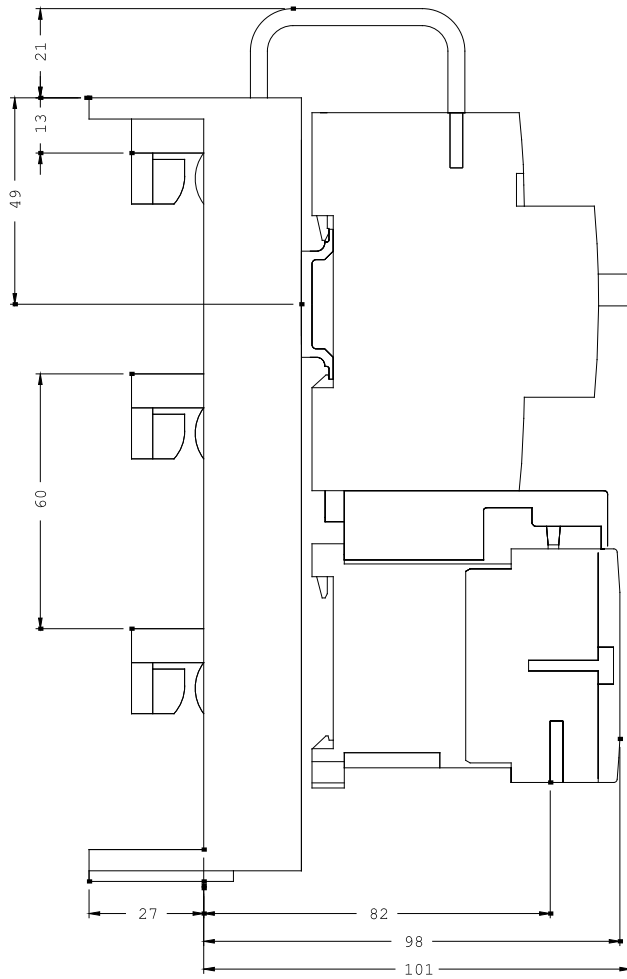
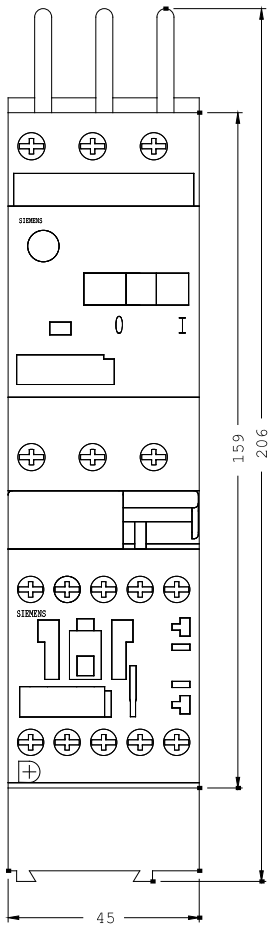
<http://www.siemens.com/cax>

Service&Support (Manuals, Certificates, Characteristics, FAQs,...)

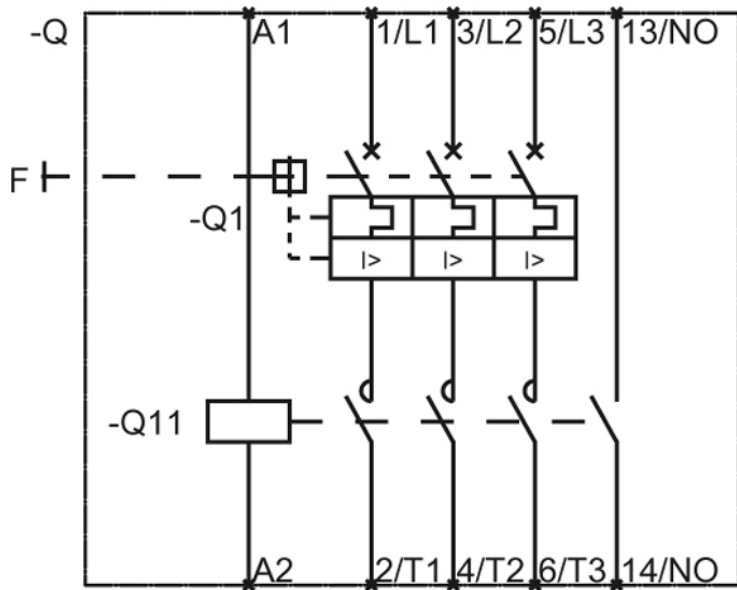
<http://support.automation.siemens.com/WW/view/en/3RA1110-1ED15-1AP0/all>

Image database (product images, 2D dimension drawings, 3D models, device circuit diagrams, ...)

http://www.automation.siemens.com/bilddb/cax_en.aspx?mlfb=3RA1110-1ED15-1AP0



3RA1110_000



last change:

Jul 28, 2014