

LOAD FEEDER FUSE LINE DIRECT START,
400 V AC, SIZES00 0.28...0.4 A,
24 V DC,
1S+1NC (CIRCUIT-BREAKER WITH SC 1NC
(CONTACTOR), SCREW TERMINAL WITH SLIDING
ADAPTER TYPE OF COORDINAT. 2, IQ = 50KA

General technical data:

product brand name		SIRIUS
Product designation		non-fused load feeder
Design of the product		direct starter
Size of the load feeder		S00
Protection class IP / on the front		IP20
Degree of pollution		3
Insulation voltage / rated value	V	690
Installation altitude / at a height over sea level / maximum	m	2,000
Ambient temperature		
• during storage	°C	-55 ... +80
• during operating	°C	-20 ... +70
Resistance against shock		9.8g
Impulse voltage resistance / rated value	kV	6
Reference code		
• according to DIN 40719 extended according to IEC 204-2 / according to IEC 750		Q
• according to DIN EN 61346-2		Q
Type of assignment		1
Mechanical operating cycles as operating time / of the contactor / typical		30,000,000
Manufacturer article number		
• of the standard mounting rail adapter included in the scope of supply		3RA1922-1L
• of the circuit-breakers included in the scope of supply		3RV1021-0EA15
• of the contactor included in the scope of supply		3RT1016-1BB41
• of the link module included in the scope of supply		3RA1911-1AA00
Design of the switching contact		electromechanical
Type of the motor protection		bimetal
Adjustable response current		
• of the current-dependent overload release	A	0.28 ... 0.4

Communication/ Protocol:		
Product function / bus-communication		No
Protocol / is supported		No
• AS interface protocol		No
• PROFIBUS DP protocol		No
• PROFINET protocol		No
Main circuit:		
Number of poles / for main current circuit		3
Operating voltage / at AC-3 / rated value / maximum	V	400
Operating current / at AC-3 / at 400 V / rated value	A	0.3
Service power / at AC-3 / at 400 V / rated value	kW	0.09
Off-load operating frequency	1/s	15
Control circuit/ Control:		
Voltage type / of control feed voltage		DC
Control supply voltage / 1		
• for DC		
• rated value	V	24
Auxiliary circuit:		
Product extension / auxiliary switch		Yes
Number of NC contacts / for auxiliary contacts		2
Number of NO contacts / for auxiliary contacts		1
Inputs/ Outputs:		
Number of digital inputs		0
Short-circuit:		
Product function / short circuit protection		Yes
Design of the short-circuit protection		circuit-breakers
Breaking capacity limit short-circuit current (I _{cu}) / at 400 V / rated value	kA	50
Installation/ mounting/ dimensions:		
mounting position		bei senkrechter Montageebene +/-90° drehbar, bei senkrechter Montageebene +/- 22,5° nach vorne und hinten kippbar
Mounting type		snap-on mounting
Width	mm	45
Height	mm	203
Depth	mm	128
Distance, to be maintained, to the ranks assembly / sideways	mm	0

Distance, to be maintained, to earthed part		
• forwards	mm	10
• backwards	mm	0
• upwards	mm	20
• sideways	mm	9
Distance, to be maintained, conductive elements		
• forwards	mm	10
• backwards	mm	9
• downwards	mm	0
• sideways	mm	20

Connections/ terminals:

Design of the electrical connection / for main current circuit	screw-type terminals
Verification of suitability	UL / CSA / CCC / GL / LRS / BV / DNV / PRS

Certificates/ approvals:

General Product Approval	For use in hazardous locations	Declaration of Conformity
---------------------------------	---------------------------------------	----------------------------------



Shipping Approval



other

[other](#)

[Environmental Confirmations](#)

Further information:

Information- and Downloadcenter (Catalogs, Brochures,...)

<http://www.siemens.com/industrial-controls/catalogs>

Industry Mall (Online ordering system)

<http://www.siemens.com/industrial-controls/mall>

Cax online generator

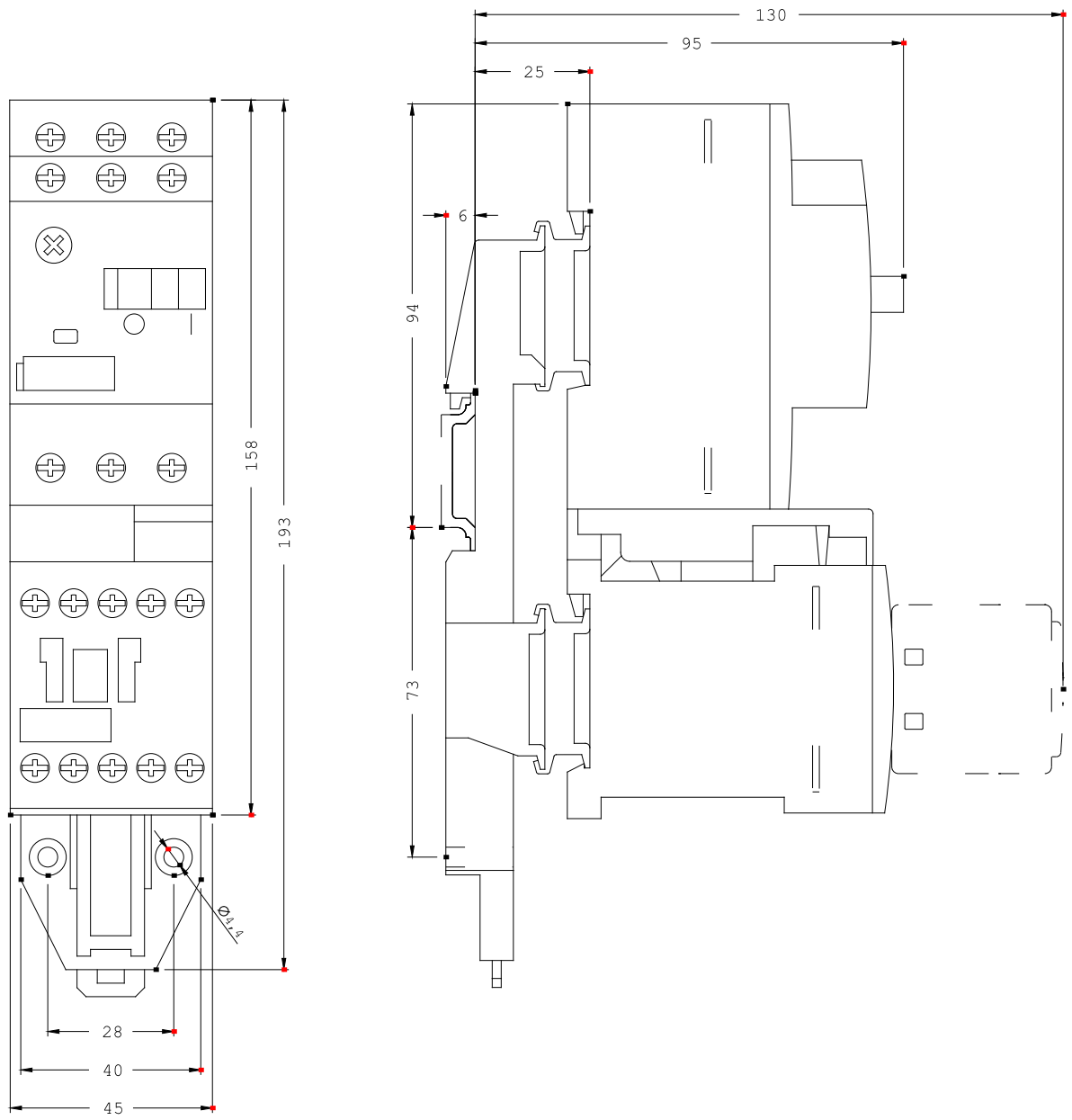
<http://www.siemens.com/cax>

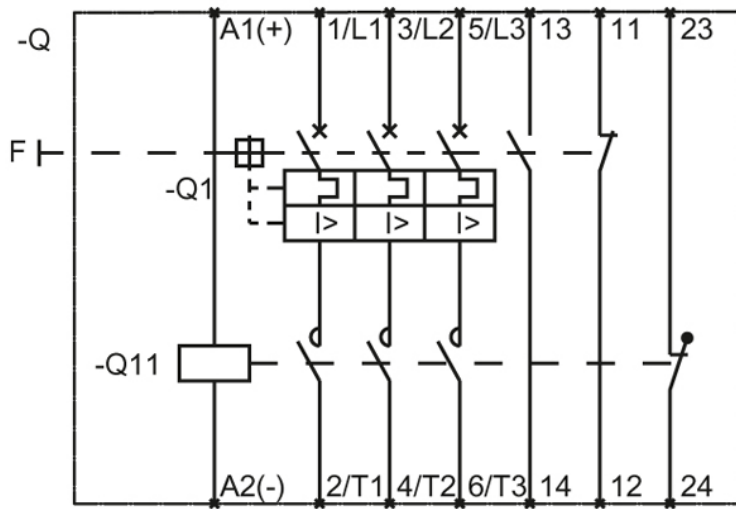
Service&Support (Manuals, Certificates, Characteristics, FAQs,...)

<http://support.automation.siemens.com/WW/view/en/3RA1115-0EL16-2BB4/all>

Image database (product images, 2D dimension drawings, 3D models, device circuit diagrams, ...)

http://www.automation.siemens.com/bilddb/cax_en.aspx?mlfb=3RA1115-0EL16-2BB4





last change:

Jul 28, 2014