

LOAD FEEDER FUSELESS DIRECT STARTING,
 AC 400V, SIZE S00, 1,8...2,5A ;
 AC 230V 1NO (CONTACTOR),
 SPRING LOADED CONNECTION STANDARD RAIL
 MOUNTING TYPE OF COORDINATION 1,
 IQ = 50KA CIRCUIT-BREAKER SCREW TERMINAL
 HYBRID LINK MODULE 1NO,
 1NC SPRING LOADED CONNECTION

General technical data:		
product brand name		SIRIUS
Product designation		non-fused load feeder
Design of the product		direct starter
Size of the load feeder		S00
Protection class IP / on the front		IP20
Degree of pollution		3
Insulation voltage / rated value	V	690
Installation altitude / at a height over sea level / maximum	m	2,000
Ambient temperature		
• during storage	°C	-55 ... +80
• during operating	°C	-20 ... +70
Resistance against shock		9.8g
Impulse voltage resistance / rated value	kV	6
Reference code		
• according to DIN 40719 extended according to IEC 204-2 / according to IEC 750		Q
• according to DIN EN 61346-2		Q
Type of assignement		1
Mechanical operating cycles as operating time / of the contactor / typical		30,000,000
Manufacturer article number		
• of the circuit-breakers included in the scope of supply		3RV1011-1GA15
• of the contactor included in the scope of supply		3RT1015-1AP01
• of the link module included in the scope of supply		3RA1911-1AA00
Design of the switching contact		electromechanical
Type of the motor protection		bimetal
Adjustable response current		
• of the current-dependent overload release	A	4.5 ... 6.3

Communication/ Protocol:		
Product function / bus-communication		No
Protocol / is supported		No
• AS interface protocol		No
• PROFIBUS DP protocol		No
• PROFINET protocol		No
Main circuit:		
Number of poles / for main current circuit		3
Operating voltage / at AC-3 / rated value / maximum	V	400
Operating current / at AC-3 / at 400 V / rated value	A	5
Service power / at AC-3 / at 400 V / rated value	kW	2.2
Off-load operating frequency	1/s	15
Control circuit/ Control:		
Voltage type / of control feed voltage		AC
Control supply voltage frequency / 1	Hz	50
• rated value		
Control supply voltage / 1		
• at 50 Hz / for AC		
• rated value	V	230
Auxiliary circuit:		
Product extension / auxiliary switch		Yes
Number of NC contacts / for auxiliary contacts		1
Number of NO contacts / for auxiliary contacts		2
Inputs/ Outputs:		
Number of digital inputs		0
Short-circuit:		
Product function / short circuit protection		Yes
Design of the short-circuit protection		circuit-breakers
Breaking capacity limit short-circuit current (I _{cu}) / at 400 V / rated value	kA	50
Installation/ mounting/ dimensions:		
mounting position		bei senkrechter Montageebene +/-90° drehbar, bei senkrechter Montageebene +/- 22,5° nach vorne und hinten kippbar
Mounting type		snap-on mounting
Width	mm	45
Height	mm	203

Depth	mm	128
Distance, to be maintained, to the ranks assembly / sideways	mm	0
Distance, to be maintained, to earthed part		
• forwards	mm	10
• backwards	mm	0
• upwards	mm	20
• sideways	mm	9
Distance, to be maintained, conductive elements		
• forwards	mm	10
• backwards	mm	9
• downwards	mm	0
• sideways	mm	20

Connections/ terminals:

Design of the electrical connection / for main current circuit		screw-type terminals
Type of the connectable conductor cross-section		
• for main contacts		
• solid		0.5 ... 4 mm ² , 2x (0.75 ... 2.5 mm ²)
• stranded		0.5 ... 4 mm ² , 2x (0.75 ... 2.5 mm ²)
• finely stranded / with conductor end processing		0.5 ... 2.5 mm ² , 2x (0.5 ... 2.5 mm ²)
• for AWG conductors / for main contacts		2x (18 ... 14)
Verification of suitability		UL / CSA / CCC / GL / LRS / BV / DNV / PRS

Certificates/ approvals:

General Product Approval	For use in hazardous locations	Declaration of Conformity
--------------------------	--------------------------------	---------------------------



Shipping Approval



other

[other](#)

[Environmental Confirmations](#)

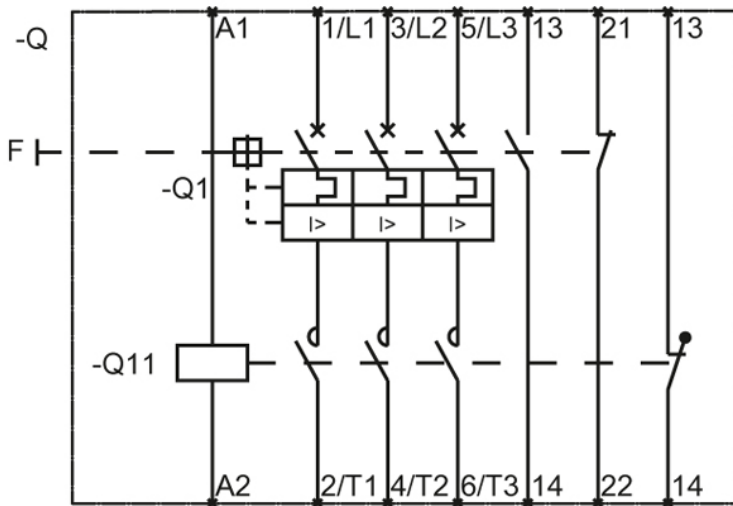
Further information:

Information- and Downloadcenter (Catalogs, Brochures,...)

<http://www.siemens.com/industrial-controls/catalogs>

Industry Mall (Online ordering system)

<http://www.siemens.com/industrial-controls/mall>



last change:

Jul 7, 2014