



Long range distance sensors  
DML, DML40-2, RS-422 RS-232

DML40-2-1111S01



**Model Name** > **DML40-2-1111S01**  
**Part No.** > **1044053**



**At a glance**

- Measurement range from 0.5 m up to 1,200 m with a reflector
- Time-of-flight measurement
- Easy alignment thanks to pilot laser
- Freely programmable parameters
- RS-422, RS-232, PROFIBUS, analog and two switching outputs
- Near field blanking parameter for operation through a protection window

**Your benefits**

- Extremely long measurement ranges of up to 1,200 m on natural targets offer high flexibility in applications where range is key
- Special visible alignment laser allows fast and easy alignment - even over long distances, offering fast and cost-effective installation
- Tough, metal housing design for trouble-free operation in rough environmental conditions
- Class 1 IR laser for discrete and safe measurement and detection
- User-friendly software with an easy-to-follow interface ensures fast and cost-optimized setup
- Serial and analog interfaces as well as two digital switching outputs offer local over/under limit and service signals



CE  **RS-232 RS-422**

**Performance**

Measuring range <sup>1), 2), 3)</sup> :	0.5 m ... 1,200 m, on reflector OP60 0.5 m ... 600 m, on reflective tape "Diamond Grade" 0.5 m ... 800 m, on reflector PL880FS01
Resolution:	≤ 1 mm
Repeatability <sup>4), 5)</sup> :	6 mm
Accuracy <sup>6), 7)</sup> :	± 10 mm
Light source:	Laser, infrared
Typ. light spot size (distance):	20 mm (+ 5 x distance in m)
Average depth:	1/16/64/256/1,024
Output rate <sup>8)</sup> :	1 ms ... 600 ms
Note:	Alignment laser always on
Response time <sup>9)</sup> :	1 ms ... 600 ms
Cycle time:	5,120 per sec.
Special characteristic:	Alignment laser always on
Laser class:	2 (für DML40-2-1111S01)

1) On reflective tape "Diamond Grade" 2) On reflector PL880FS01 3) On reflector OP60 4) 6 % ... 90 % remission 5) Environmental conditions constant, min. warm-up time 30 min, average depth 1,024, statistical error  $1 \sigma$  6) 23 °C air temperature, 977 hPa, min. warm-up time 30 min. 7) When operating in ambient temperatures between +40 °C ... +55 °C the accuracy can decrease by factor 2.5 8) 9) Dependant on average setting, average depth, timeout, baud rate, data output and output format

## Interfaces

Data interface <sup>1)</sup> :	RS-422 RS-232
Output type <sup>2)</sup> :	Q1, Q2
Interface for parametrization:	RS-232
Analog output:	4 mA ... 20 mA, scalable <sup>3)</sup>

<sup>1)</sup> Switchable <sup>2) 3)</sup> Output Q short-circuit protected

## Mechanics/electronics

Supply voltage $V_s$ :	DC 18 V ... 30 V, limit values
Ripple <sup>1)</sup> :	5 V <sub>pp</sub>
Initialization time:	6 s
Weight:	Ca. 1,200 g
Output current $I_A$ :	100 mA
Power consumption <sup>2)</sup> :	≤ 6 W
Connection type:	1 x cable gland, 1 x Sub-D, 9-pin

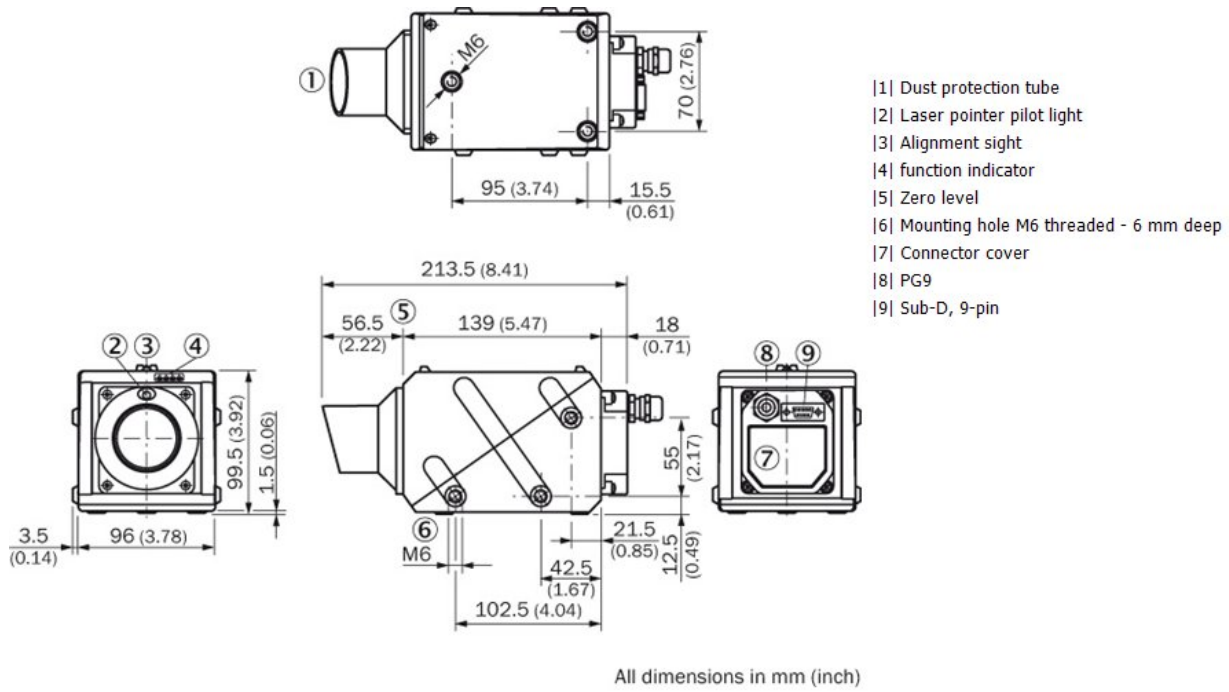
<sup>1)</sup> May not fall short of or exceed  $V_s$  tolerances <sup>2)</sup> Without load

## Ambient data

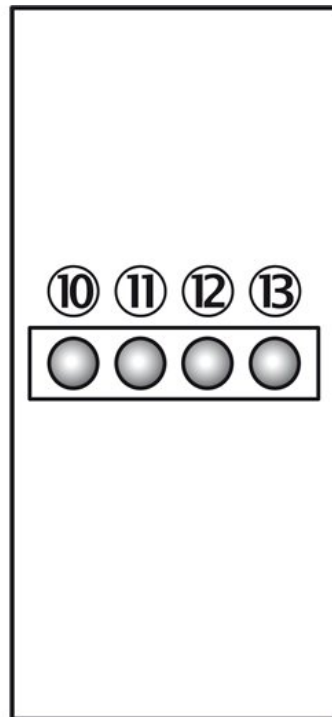
Enclosure rating:	IP 65
Protection class <sup>1)</sup> :	III
Temperature drift <sup>2) 3)</sup> :	Typ. 0.3 mm/K Typ. 0.6 mm/K
Ambient temperature:	Operation: -10 ... 55 °C Operation with cooling case: -10 ... 75 °C Storage: -25 ... 70 °C
Mechanical load:	Shock: IEC 60068-2-27, -2-29 Sine: IEC 60068-2-6
Electromagnetic compatibility (EMC):	EN 55011:1998 Kl. B, Gr.1/EN 6100-6-2:1999

<sup>1)</sup> Reference voltage DC 50 V PELV-voltage (EN 50178) <sup>2)</sup> -10 °C ... 0 °C, +40 °C ... +55 °C <sup>3)</sup> 0 °C ... +40 °C

## Dimensional drawing

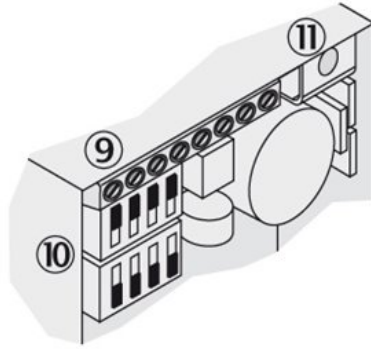
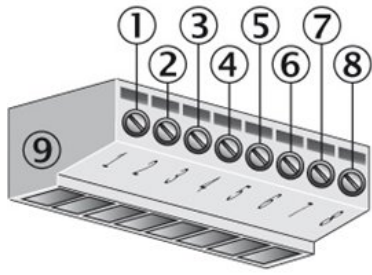


## Adjustment possible



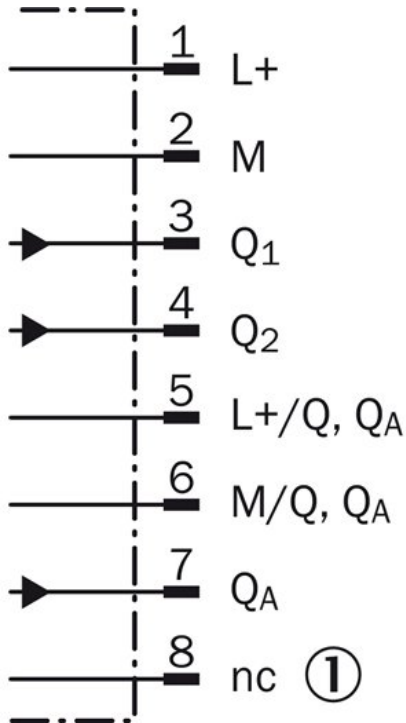
- |10| Q2 function indicator
- |11| Q1 function indicator
- |12| Operating indicator, green
- |13| Plausibility (measurement error) red

Connection type DMxxx-2 RS232/RS-422, PG9

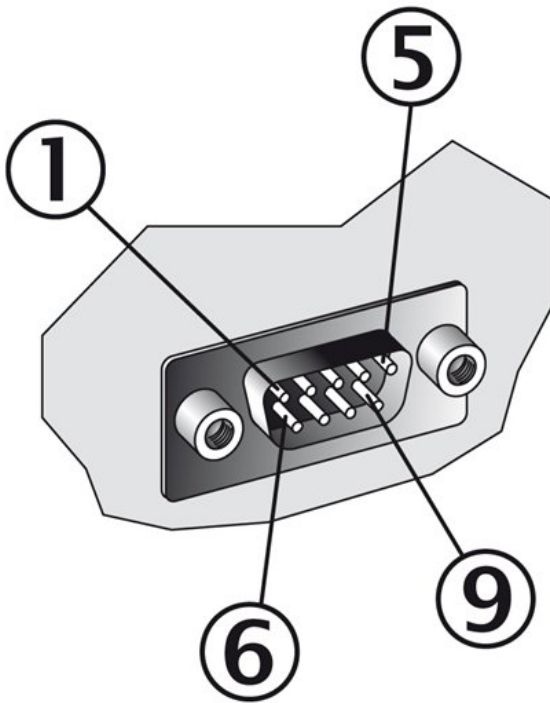


- |1| Pin 1
- |2| Pin 2
- |3| Pin 3
- |4| Pin 4
- |5| Pin 5
- |6| Pin 6
- |7| Pin 7
- |8| Pin 8
- |9| Terminals
- |10| DIP switches RS-232-/RS-422 switching
- |11| Shield

Connection diagram DMxxx-2 RS232/RS-422, PG9

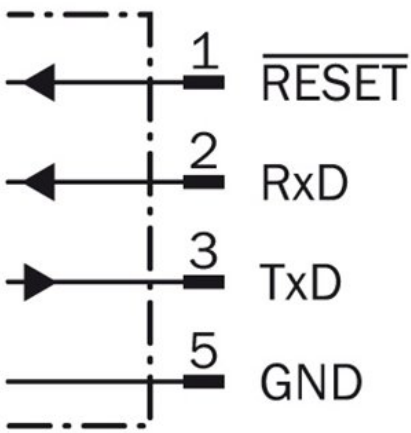


|12| not connected

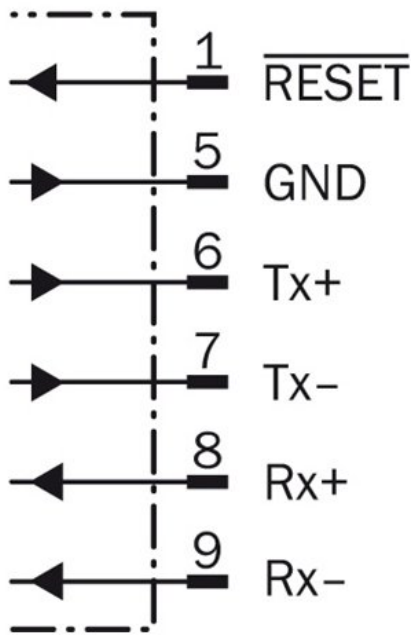


- [1] Pin 1
- [5] Pin 5
- [6] Pin 6
- [9] Pin 9

### RS-232



### RS-422



**Australia**

Phone +61 3 9457 0600  
1800 334 802 – tollfree  
E-Mail sales@sick.com.au

**Belgium/Luxembourg**

Phone +32 (0)2 466 55 66  
E-Mail info@sick.be

**Brasil**

Phone +55 11 3215-4900  
E-Mail sac@sick.com.br

**Canada**

Phone +1 905 771 14 44  
E-Mail information@sick.com

**Ceská Republika**

Phone +420 2 57 91 18 50  
E-Mail sick@sick.cz

**China**

Phone +86 4000 121 000  
E-Mail info.china@sick.net.cn  
Phone +852-2153 6300  
E-Mail ghk@sick.com.hk

**Danmark**

Phone +45 45 82 64 00  
E-Mail sick@sick.dk

**Deutschland**

Phone +49 211 5301-301  
E-Mail kundenservice@sick.de

**España**

Phone +34 93 480 31 00  
E-Mail info@sick.es

**France**

Phone +33 1 64 62 35 00  
E-Mail info@sick.fr

**Great Britain**

Phone +44 (0)1727 831121  
E-Mail info@sick.co.uk

**India**

Phone +91-22-4033 8333  
E-Mail info@sick-india.com

**Israel**

Phone +972-4-6801000  
E-Mail info@sick-sensors.com

**Italia**

Phone +39 02 27 43 41  
E-Mail info@sick.it

**Japan**

Phone +81 (0)3 3358 1341  
E-Mail support@sick.jp

**Magyarország**

Phone +36 1 371 2680  
E-Mail office@sick.hu

**Nederlands**

Phone +31 (0)30 229 25 44  
E-Mail info@sick.nl

**Norge**

Phone +47 67 81 50 00  
E-Mail austefjord@sick.no

**Österreich**

Phone +43 (0)22 36 62 28 8-0  
E-Mail office@sick.at

**Polska**

Phone +48 22 837 40 50  
E-Mail info@sick.pl

**România**

Phone +40 356 171 120  
E-Mail office@sick.ro

**Russia**

Phone +7-495-775-05-30  
E-Mail info@sick.ru

**Schweiz**

Phone +41 41 619 29 39  
E-Mail contact@sick.ch

**Singapore**

Phone +65 6744 3732  
E-Mail admin@sicksgp.com.sg

**Slovenija**

Phone +386 (0)1-47 69 990  
E-Mail office@sick.si

**South Africa**

Phone +27 11 472 3733  
E-Mail info@sickautomation.co.za

**South Korea**

Phone +82 2 786 6321/4  
E-Mail info@sickkorea.net

**Suomi**

Phone +358-9-25 15 800  
E-Mail sick@sick.fi

**Sverige**

Phone +46 10 110 10 00  
E-Mail info@sick.se

**Taiwan**

Phone +886-2-2375-6288  
E-Mail sales@sick.com.tw

**Türkiye**

Phone +90 (216) 528 50 00  
E-Mail info@sick.com.tr

**United Arab Emirates**

Phone +971 (0) 4 8865 878  
E-Mail info@sick.ae

**USA/México**

Phone +1(952) 941-6780  
1 800-325-7425 – tollfree  
E-Mail info@sickusa.com

More representatives and agencies  
at [www.sick.com](http://www.sick.com)