



Optical data transmission  
ISD300, ISD300 Ethernet, Ethernet

ISD300-6222



**Model Name** > [ISD300-6222](#)  
**Part No.** > [6030558](#)



#### At a glance

- Ethernet interface
- Push button displays opposing device's reception level for simple one man alignment
- Up to 2 Mbit/s transfer rate
- Protocol-independent
- RJ 45 plug connection
- Integrated 3-point mounting bracket

#### Your benefits

- Non-contact system eliminates wear and tear thus guaranteeing high machine uptime and significantly reduced maintenance costs
- Electronic alignment methods significantly reduce installation times thus saving costs
- Very long scanning range ensures high gain reserve even in challenging environmental conditions
- Reduced installation costs by eliminating cables
- Excellent ambient light immunity and EMC compatibility ensure accurate and reliable data transmission
- Increased system speed with fast data transmission
- Fast and easy assembly with integrated 3-point mounting bracket reduces installation time and costs
- Fast and easy integration into Ethernet network without additional converter cards



#### Performance

Light source:	LED, infrared (880 nm)
Heating:	✓
Typ. light spot size (distance):	1.75 m (at 100 m)
Transmission range:	0.2 m ... 200 m
Field of view:	Ca. ± 0.5 °

#### Interfaces

Data transmission rate:	2 Mbit/s
Output type:	0 V ... 2 V: interference-free operation VS -2 V: reduced system reserve
Switching input:	0 V ... 2 V: sender deactivated
Data interface <sup>1)</sup> :	Ethernet

1) RS-485 on request

## Mechanics/electronics

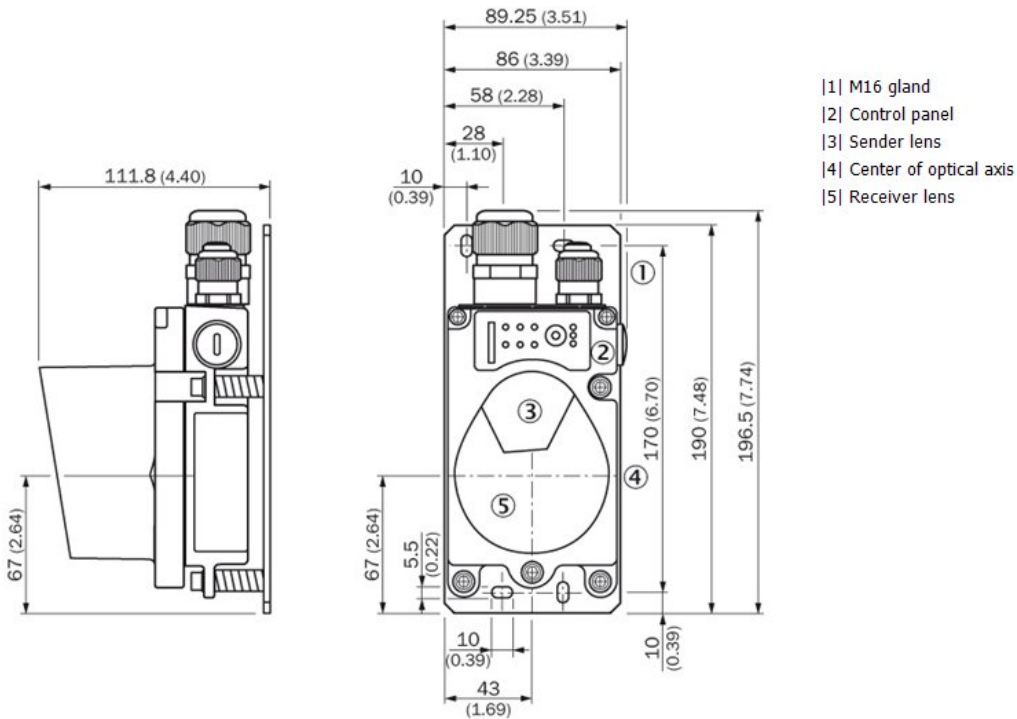
Supply voltage $V_s$ :	DC 18 V ... 30 V
Power consumption:	$\leq 0.8$ mA
Weight:	Ca. 1.2 kg
Housing material:	Metal
Connection type:	Terminals
Frequency:	2

## Ambient data

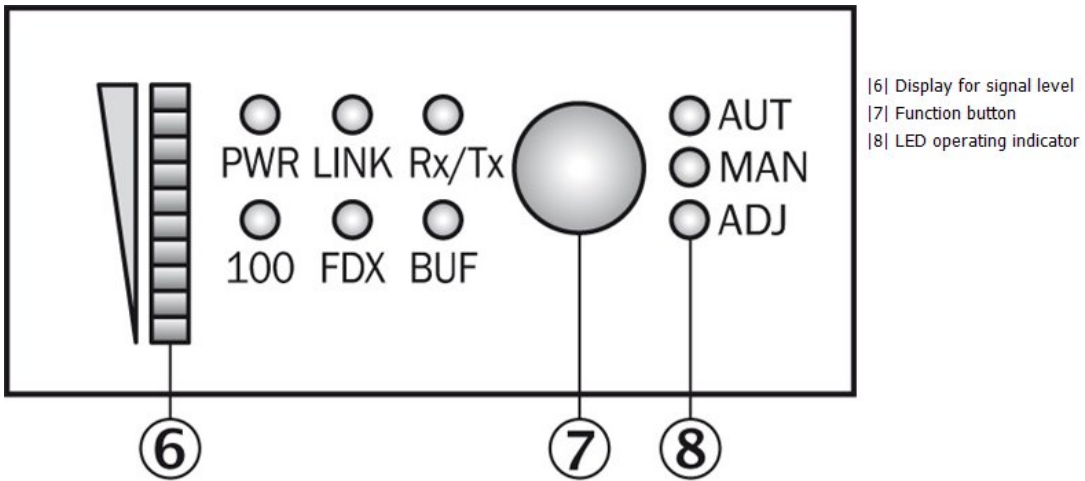
Enclosure rating:	IP 65
Protection class:	I
Ambient temperature:	Storage: -30 ... 70 °C
Max. rel. humidity (not condensing):	90 %, non-condensing
Ambient operating temperature:	-30 °C ... 50 °C
Electromagnetic compatibility (EMC):	EN 61000-6-2/EN 61000-6-4 <sup>1)</sup>

1) This is a Class A device. This device can cause radio interference in living quarters.

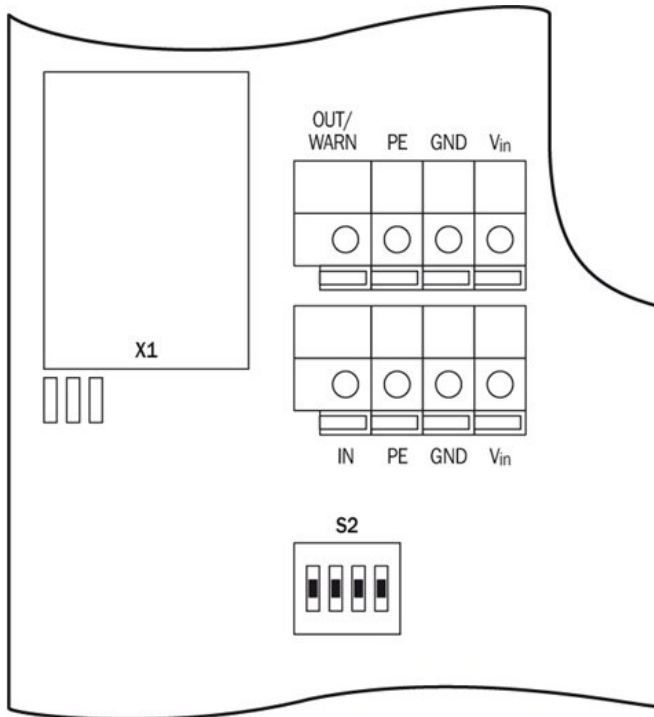
## Dimensional drawing



## Adjustments



## Connection type



## Connection diagram

---

### Terminals, general

<b>V<sub>in</sub></b>	L+
<b>GND</b>	M
<b>PE</b>	Shield
<b>OUT/WARN</b>	Q
<b>IN</b>	Switch. input

### Socket      Function

<b>X1</b>	RJ-45 socket for 10Base-T or 100Base-TX	
<b>Switch</b>	<b>Position</b>	<b>Function</b>
<b>S2.1</b>	ON	Autospace negotiation active (default)
	OFF	Autospace negotiation deactivated
<b>S2.2</b>	ON	100 Mbit
	OFF	10 Mbit (default)
<b>S2.3</b>	ON	Full duplex
	OFF	Half duplex (default)
<b>S2.4</b>	ON	Reserved
	OFF	Reserved (default)

**Australia**

Phone +61 3 9457 0600  
1800 334 802 – tollfree  
E-Mail sales@sick.com.au

**Belgium/Luxembourg**

Phone +32 (0)2 466 55 66  
E-Mail info@sick.be

**Brasil**

Phone +55 11 3215-4900  
E-Mail sac@sick.com.br

**Canada**

Phone +1 905 771 14 44  
E-Mail information@sick.com

**Ceská Republika**

Phone +420 2 57 91 18 50  
E-Mail sick@sick.cz

**China**

Phone +86 4000 121 000  
E-Mail info.china@sick.net.cn  
Phone +852-2153 6300  
E-Mail ghk@sick.com.hk

**Danmark**

Phone +45 45 82 64 00  
E-Mail sick@sick.dk

**Deutschland**

Phone +49 211 5301-301  
E-Mail kundenservice@sick.de

**España**

Phone +34 93 480 31 00  
E-Mail info@sick.es

**France**

Phone +33 1 64 62 35 00  
E-Mail info@sick.fr

**Great Britain**

Phone +44 (0)1727 831121  
E-Mail info@sick.co.uk

**India**

Phone +91-22-4033 8333  
E-Mail info@sick-india.com

**Israel**

Phone +972-4-6801000  
E-Mail info@sick-sensors.com

**Italia**

Phone +39 02 27 43 41  
E-Mail info@sick.it

**Japan**

Phone +81 (0)3 3358 1341  
E-Mail support@sick.jp

**Magyarország**

Phone +36 1 371 2680  
E-Mail office@sick.hu

**Nederlands**

Phone +31 (0)30 229 25 44  
E-Mail info@sick.nl

**Norge**

Phone +47 67 81 50 00  
E-Mail austefjord@sick.no

**Österreich**

Phone +43 (0)22 36 62 28 8-0  
E-Mail office@sick.at

**Polska**

Phone +48 22 837 40 50  
E-Mail info@sick.pl

**România**

Phone +40 356 171 120  
E-Mail office@sick.ro

**Russia**

Phone +7-495-775-05-30  
E-Mail info@sick.ru

**Schweiz**

Phone +41 41 619 29 39  
E-Mail contact@sick.ch

**Singapore**

Phone +65 6744 3732  
E-Mail admin@sicksgp.com.sg

**Slovenija**

Phone +386 (0)1-47 69 990  
E-Mail office@sick.si

**South Africa**

Phone +27 11 472 3733  
E-Mail info@sickautomation.co.za

**South Korea**

Phone +82 2 786 6321/4  
E-Mail info@sickkorea.net

**Suomi**

Phone +358-9-25 15 800  
E-Mail sick@sick.fi

**Sverige**

Phone +46 10 110 10 00  
E-Mail info@sick.se

**Taiwan**

Phone +886-2-2375-6288  
E-Mail sales@sick.com.tw

**Türkiye**

Phone +90 (216) 528 50 00  
E-Mail info@sick.com.tr

**United Arab Emirates**

Phone +971 (0) 4 8865 878  
E-Mail info@sick.ae

**USA/México**

Phone +1(952) 941-6780  
1 800-325-7425 – tollfree  
E-Mail info@sickusa.com

More representatives and agencies  
at [www.sick.com](http://www.sick.com)