



Optical data transmission  
ISD400, ISD400 Core, PROFIBUS DP

ISD400-1111



**Model Name** > [ISD400-1111](#)  
**Part No.** > [1042286](#)



#### At a glance

- Adjustable carrier frequency F1/F2
- PROFIBUS interface
- Connection and setup without opening device
- Simple installation thanks to optical and electronic alignment help
- Up to 3 Mbit/s optical transfer rate
- Integrated repeater

#### Your benefits

- An integrated optical and electronic alignment aid supports fast and cost efficient installation
- The electronically adjustable carrier frequency allows each ISD400 to be used as either sender or receiver unit, thus reducing stock keeping costs
- Large operating temperature range guarantees highest machine up times - even in cold stores
- Integrated PROFIBUS repeater allows a cost-efficient multimaster configuration such as PROFIBUS FMS
- Increased system speed with fast data transmission



#### Performance

Light source:	LED, infrared (880 nm)
Heating:	-
Typ. light spot size (distance):	1.75 m (at 100 m)
Transmission range:	0.2 m ... 180 m
Field of view:	Ca. ± 0.5 °

#### Interfaces

Data transmission rate:	3 Mbit/s
Output type:	24 V DC (VS - 2.25 V DC ... VS)
Switching input:	VS: sender deactivated
Signal delay:	≤ 1 μs + 2 Tbit <sup>1)</sup>
Data interface:	PROFIBUS DP

<sup>1)</sup> 1 μs + 2 Tbit only for PROFIBUS

## Mechanics/electronics

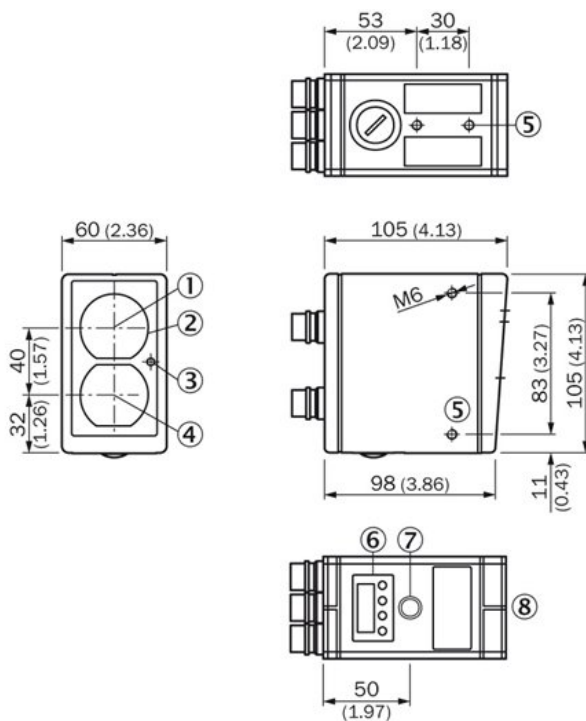
Supply voltage $V_s$ :	DC 18 V ... 30 V
Power consumption:	$\leq 0.4$ A
Weight:	Ca. 900 g
Housing material:	Metal
Connection type:	Connector M12, 4-pin

## Ambient data

Enclosure rating:	IP 65
Protection class:	III
Max. rel. humidity (not condensing):	90 %, non-condensing
Ambient operating temperature:	-25 °C ... 55 °C
Electromagnetic compatibility (EMC):	EN 61000-6-2/EN 61000-6-4 <sup>1)</sup>
Storage temperature:	-40 °C ... 75 °C

<sup>1)</sup> This is a Class A device. This device can cause radio interference in living quarters.

## Dimensional drawing



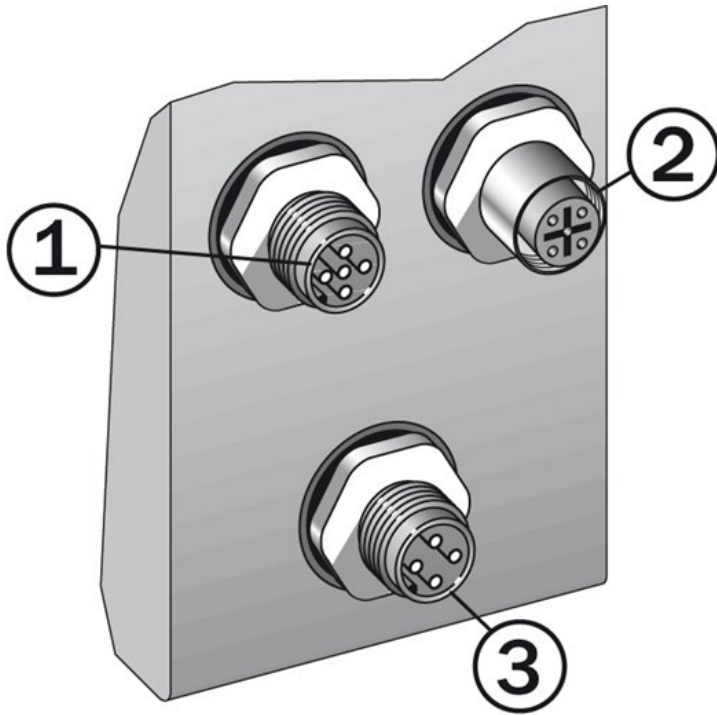
- |1| Optical axis, sender
- |2| View finder lens
- |3| Function indicator/level warning
- |4| Optical axis, receiver
- |5| Threaded mounting hole M6
- |6| Liquid crystal display with funktion keys
- |7| Optical adjustment aid
- |8| Alignment sight

## Adjustments

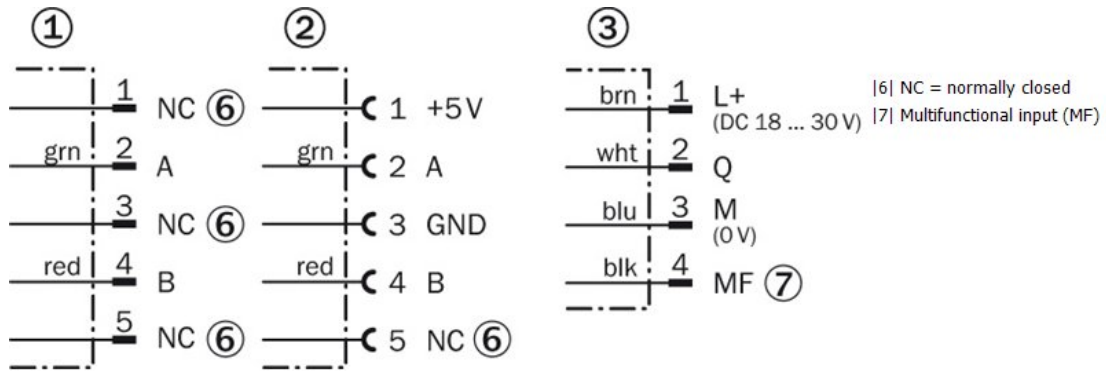


|6| Liquid crystal display with funktion keys

## Connection type



Connection diagram



**Australia**

Phone +61 3 9457 0600  
1800 334 802 – tollfree  
E-Mail sales@sick.com.au

**Belgium/Luxembourg**

Phone +32 (0)2 466 55 66  
E-Mail info@sick.be

**Brasil**

Phone +55 11 3215-4900  
E-Mail sac@sick.com.br

**Canada**

Phone +1 905 771 14 44  
E-Mail information@sick.com

**Ceská Republika**

Phone +420 2 57 91 18 50  
E-Mail sick@sick.cz

**China**

Phone +86 4000 121 000  
E-Mail info.china@sick.net.cn  
Phone +852-2153 6300  
E-Mail ghk@sick.com.hk

**Danmark**

Phone +45 45 82 64 00  
E-Mail sick@sick.dk

**Deutschland**

Phone +49 211 5301-301  
E-Mail kundenservice@sick.de

**España**

Phone +34 93 480 31 00  
E-Mail info@sick.es

**France**

Phone +33 1 64 62 35 00  
E-Mail info@sick.fr

**Great Britain**

Phone +44 (0)1727 831121  
E-Mail info@sick.co.uk

**India**

Phone +91-22-4033 8333  
E-Mail info@sick-india.com

**Israel**

Phone +972-4-6801000  
E-Mail info@sick-sensors.com

**Italia**

Phone +39 02 27 43 41  
E-Mail info@sick.it

**Japan**

Phone +81 (0)3 3358 1341  
E-Mail support@sick.jp

**Magyarország**

Phone +36 1 371 2680  
E-Mail office@sick.hu

**Nederlands**

Phone +31 (0)30 229 25 44  
E-Mail info@sick.nl

**Norge**

Phone +47 67 81 50 00  
E-Mail austefjord@sick.no

**Österreich**

Phone +43 (0)22 36 62 28 8-0  
E-Mail office@sick.at

**Polska**

Phone +48 22 837 40 50  
E-Mail info@sick.pl

**România**

Phone +40 356 171 120  
E-Mail office@sick.ro

**Russia**

Phone +7-495-775-05-30  
E-Mail info@sick.ru

**Schweiz**

Phone +41 41 619 29 39  
E-Mail contact@sick.ch

**Singapore**

Phone +65 6744 3732  
E-Mail admin@sicksgp.com.sg

**Slovenija**

Phone +386 (0)1-47 69 990  
E-Mail office@sick.si

**South Africa**

Phone +27 11 472 3733  
E-Mail info@sickautomation.co.za

**South Korea**

Phone +82 2 786 6321/4  
E-Mail info@sickkorea.net

**Suomi**

Phone +358-9-25 15 800  
E-Mail sick@sick.fi

**Sverige**

Phone +46 10 110 10 00  
E-Mail info@sick.se

**Taiwan**

Phone +886-2-2375-6288  
E-Mail sales@sick.com.tw

**Türkiye**

Phone +90 (216) 528 50 00  
E-Mail info@sick.com.tr

**United Arab Emirates**

Phone +971 (0) 4 8865 878  
E-Mail info@sick.ae

**USA/México**

Phone +1(952) 941-6780  
1 800-325-7425 – tollfree  
E-Mail info@sickusa.com

More representatives and agencies  
at [www.sick.com](http://www.sick.com)