



Smart light grids SGS

SGS8-F120P3PS2W0E



Model Name > [SGS8-F120P3PS2W0E](#)
Part No. > [1208611](#)



At a glance

- Variable detection lengths from 600 mm up to 1,400 mm (in 160 mm increments)
- Simple teach-in setup via cable
- Optional parameter setting with teach-in button, no PC required
- Maximum range 10 m
- Response time 18 ms
- 25 mm or 45 mm MDO possible
- Highly immune to sunlight at 150,000 lx
- Small blind zone < 11 mm

Your benefits

- Small, slim and sleek design enables easy integration into applications
- Slim and flat models offer flexible mounting options and optimize shelf/bin space while reducing damage
- Customized preset configurations or set parameters via one-touch teach-in with no PC
- Optical synchronization eliminates the need to lay cables, saving time
- Optional: Capacitive teach-in button and LEDs make commissioning easier for complex solutions
- Auto-teach and auto-muting enable Plug & Play. And, an alignment aid and “Click & Go” provide faster installation.



Features

Technology:	Sender/receiver
Task:	Switching light grid
Minimum detectable object (MDO):	Parallel beam: ≥85 mm
Beam separation:	80 mm
Optical light exit:	Flat

Number of beams:	16
Detection height:	1,200 mm
Cross beam/parallel beam:	Parallel beam active
Output 1:	Output 1 inactive, if light beam interrupted
Automatic teach:	Automatic teach active
Alignment aid:	With alignment aid
Muting function:	Muting function inactive
Configuration:	Without teach button with configuration software

Performance

Maximum range:	4 m ¹⁾
Minimum range:	Parallel beam: ≥ 0 mm
Response time:	Parallel beam: ≥ 19 ms ²⁾
Working range:	3 m

¹⁾ No reserve for environmental issue and deterioration of the diode ²⁾ With resistive load

Interfaces

Output type:	1 x PNP
Inputs:	Teach input
Connection type:	Short cable with connector M8, 4-pin

Mechanics/electronics

Wave length:	IR 950 nm
Supply voltage Vs:	DC 24 V _{nom} , $\pm 20\%$ ¹⁾
Power consumption sender:	136 mA ²⁾
Power consumption receiver::	70 mA ^{3) 4)}
Ripple:	< 5 Vpp
Output current I _{max} ·:	100 mA
Output load capacitive:	100 nF
Output load inductive:	1 H
Initialization time:	1 s
Dimensions (W x H x D):	25 mm x 1,272.4 mm x 8 mm
Housing material:	PMMA
Indication:	LED
Synchronization:	Optical
Enclosure rating:	IP 65
Circuit protection:	Output Q short-circuit protected, Interference suppression, VS connections reverse-polarity protected
Weight:	160 g
Power consumption:	136 mA ⁵⁾
Aluminum stabilizer:	With stabilizer
Switching frequency:	500 kHz

¹⁾ Limit values ^{2) 3) 4) 5)} Without load

Ambient data

Protection class:	III
EMC:	EN 60947-5-2
Ambient temperature:	Operation: -25 ... 55 °C, Storage: -25 ... 70 °C
Ambient light safety:	Direct: $\geq 100,000$ lx, Indirect: $\geq 150,000$ lx ¹⁾
Vibration resistance:	5 g, 10 Hz ... 55 Hz (IEC 68-2-6)

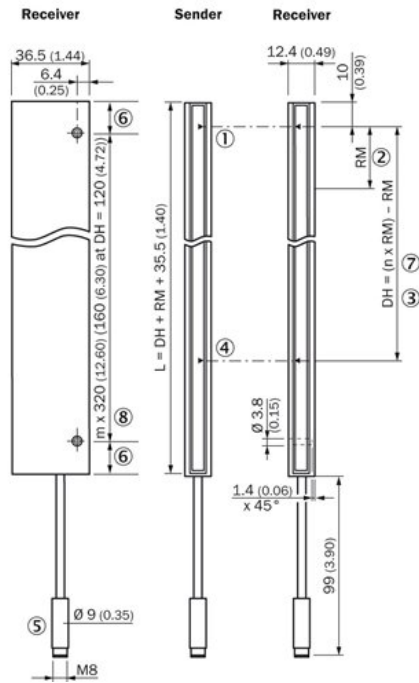
Shock load:

10 g/DIN EN 60068-2-29/16 ms

1) Sunlight

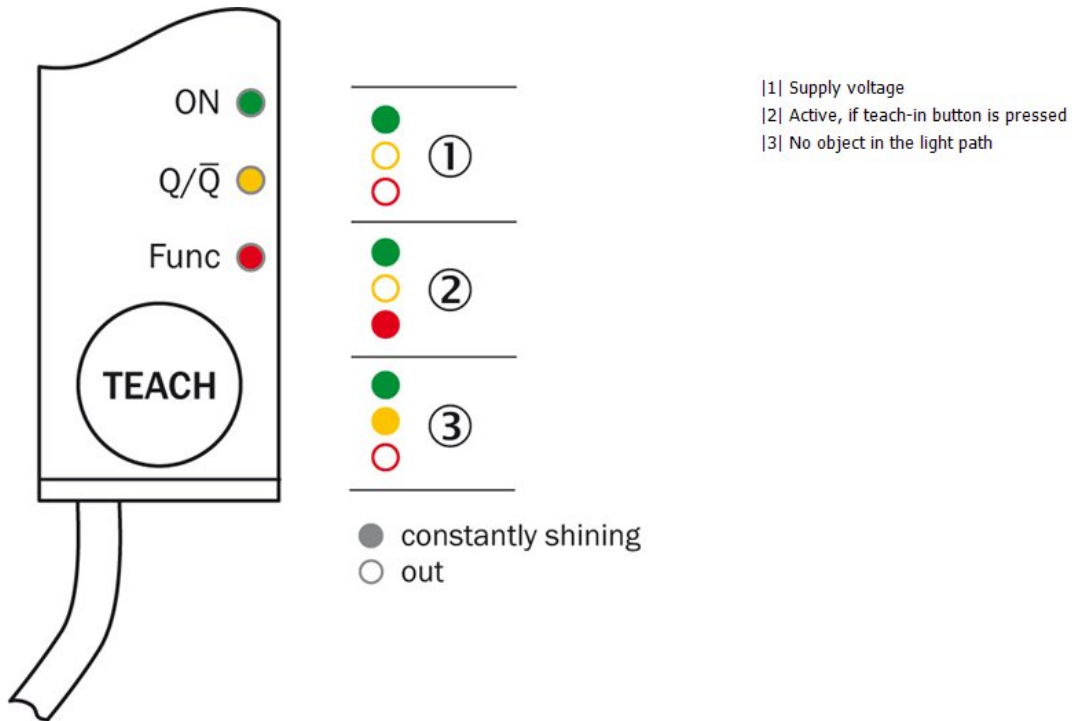
Dimensional drawing

Flat, with stabilizer

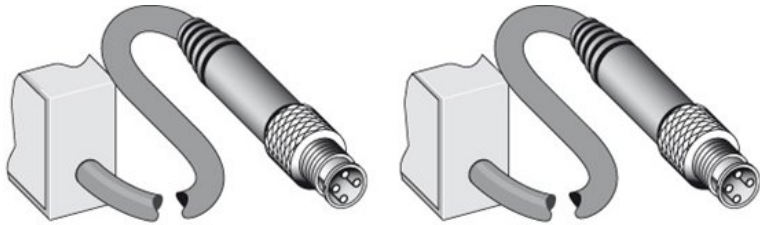


- 1| Last beam
- 2| Beam separation RM
- 3| DH - Detection height (n x 40 mm) - RM
- 4| First beam
- 5| Connection
- 6| Same distance
- 7| n = beam
- 8| m = mounting hole

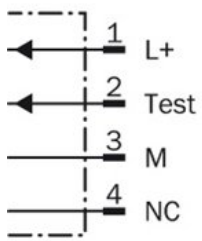
Adjustments



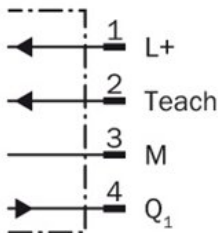
Anschlussart und -schema



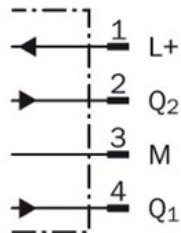
Sender



Receiver PNP/NPN



Receiver 2 x PNP/2 x NPN



Australia

Phone +61 3 9457 0600
1800 334 802 – tollfree
E-Mail sales@sick.com.au

Belgium/Luxembourg

Phone +32 (0)2 466 55 66
E-Mail info@sick.be

Brasil

Phone +55 11 3215-4900
E-Mail sac@sick.com.br

Canada

Phone +1 905 771 14 44
E-Mail information@sick.com

Ceská Republika

Phone +420 2 57 91 18 50
E-Mail sick@sick.cz

China

Phone +86 4000 121 000
E-Mail info.china@sick.net.cn
Phone +852-2153 6300
E-Mail ghk@sick.com.hk

Danmark

Phone +45 45 82 64 00
E-Mail sick@sick.dk

Deutschland

Phone +49 211 5301-301
E-Mail kundenservice@sick.de

España

Phone +34 93 480 31 00
E-Mail info@sick.es

France

Phone +33 1 64 62 35 00
E-Mail info@sick.fr

Great Britain

Phone +44 (0)1727 831121
E-Mail info@sick.co.uk

India

Phone +91-22-4033 8333
E-Mail info@sick-india.com

Israel

Phone +972-4-6801000
E-Mail info@sick-sensors.com

Italia

Phone +39 02 27 43 41
E-Mail info@sick.it

Japan

Phone +81 (0)3 3358 1341
E-Mail support@sick.jp

Magyarország

Phone +36 1 371 2680
E-Mail office@sick.hu

Nederlands

Phone +31 (0)30 229 25 44
E-Mail info@sick.nl

Norge

Phone +47 67 81 50 00
E-Mail austefjord@sick.no

Österreich

Phone +43 (0)22 36 62 28 8-0
E-Mail office@sick.at

Polska

Phone +48 22 837 40 50
E-Mail info@sick.pl

România

Phone +40 356 171 120
E-Mail office@sick.ro

Russia

Phone +7-495-775-05-30
E-Mail info@sick.ru

Schweiz

Phone +41 41 619 29 39
E-Mail contact@sick.ch

Singapore

Phone +65 6744 3732
E-Mail admin@sicksgp.com.sg

Slovenija

Phone +386 (0)1-47 69 990
E-Mail office@sick.si

South Africa

Phone +27 11 472 3733
E-Mail info@sickautomation.co.za

South Korea

Phone +82 2 786 6321/4
E-Mail info@sickkorea.net

Suomi

Phone +358-9-25 15 800
E-Mail sick@sick.fi

Sverige

Phone +46 10 110 10 00
E-Mail info@sick.se

Taiwan

Phone +886-2-2375-6288
E-Mail sales@sick.com.tw

Türkiye

Phone +90 (216) 528 50 00
E-Mail info@sick.com.tr

United Arab Emirates

Phone +971 (0) 4 8865 878
E-Mail info@sick.ae

USA/México

Phone +1(952) 941-6780
1 800-325-7425 – tollfree
E-Mail info@sickusa.com

More representatives and agencies
at www.sick.com