



## Vision sensors CVS, CVS4

CVS4-N132



**Model Name** > [CVS4-N132](#)  
**Part No.** > [1028676](#)



**At a glance**

- Identification of date, time, string or batch number
- Automatic date update
- Automatic batch number count-up
- Read-out of character string
- Predefined character set or user learned
- Reference capacity of 16 teach configurations
- Compact IP-67 rated housing with integrated display for configuration and monitoring
- Different variants for different fields of view and working distances

**Your benefits**

- The identification function of CVS4 will make sure that the produced part is tagged with correct date, time, string or batch number without a complex camera solution
- The "automatic date update" of CVS4 ensures that your reference is always up to date
- The "valid date range" tolerances reduces re-teach time when the correct inspected date is not the present date
- The automatic batch number count-up makes batch number inspection the easiest task
- The "user learn character" support gives you flexibility in character design
- The reference capacity of 16 teach configurations reduces the complexity of your batch production control and will save you cost
- The integrated display provides an easy and economical way to monitor the process



**Features**

Task:	Identification
Technology:	2D Image analysis Snapshot
Toolset:	OCR OCV
Working distance internal illumination:	31 mm ... 39 mm
Light source:	White
Spectral range:	Ca. 400 nm ... 750 nm
LED class:	Risk group 1 (low risk, IEC62471 : 2006)
Offline support:	Configuration

## Performance

---

Resolution:	512 x 242
Maximum performance:	43 fps
Typical performance:	20 fps
Number of inspections:	4
Character width:	0.75 mm ... 8.2 mm
Character height:	0.75 mm ... 16 mm

## Interfaces

---

Operator interfaces:	External display or integrated display
Configuration software:	CVS device software, CVS4 Dataloader (PC)
Communication interfaces:	RS-232
Digital inputs:	HIGH (corresp. 8 V)
Configurable inputs:	Reference object selection String input Encoder input External trigger External teach
Digital outputs:	NPN
Configurable outputs:	Control of external light, Auxiliary
Output current:	< 100 mA
Default outputs:	Inspection passed
Maximum encoder frequency:	2 kHz

## Mechanics/electronics

---

Connectors:	HRS, 6-pin (external lighting/monitor) Cable, 8-wire, 2 m (I/O, power)
Power consumption:	< 140 mA Without output load (at 24 V)
Ripple:	< 5 Vpp
Enclosure rating:	IP 67
Housing material:	ABS, Acryl glass, Polycarbonate
Weight:	200 g
Dimensions (L x W x H):	95 mm x 42 mm x 34 mm

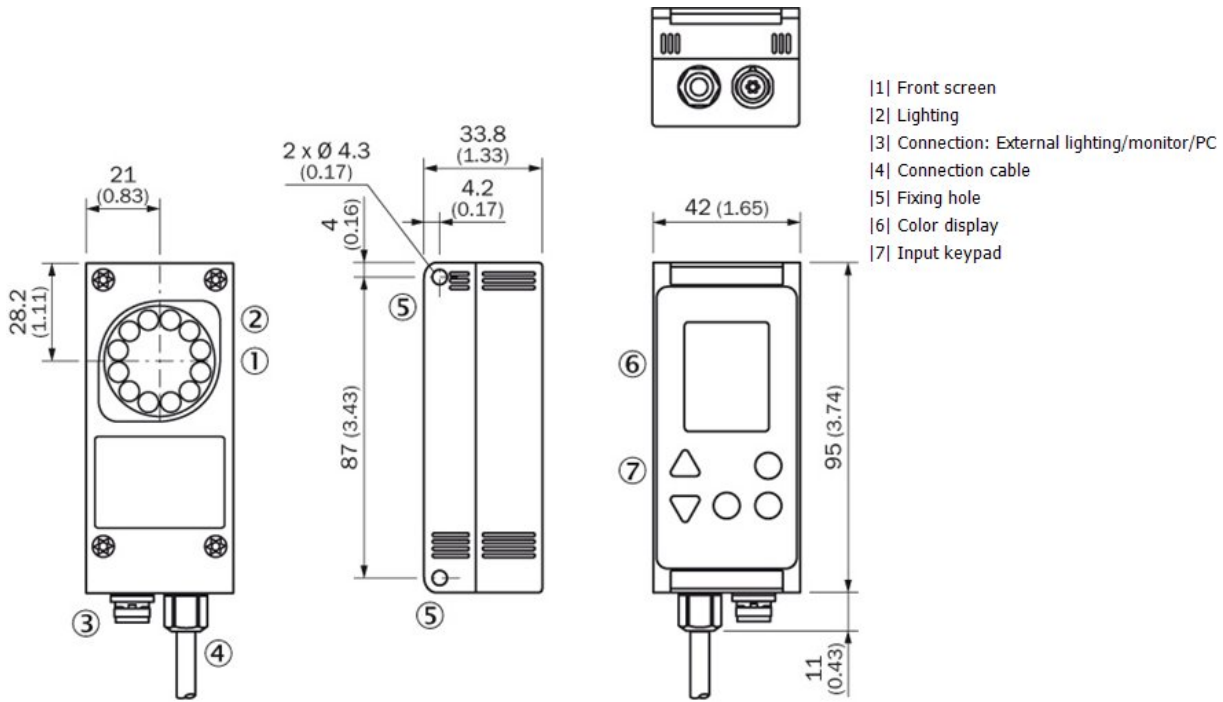
## Ambient data

---

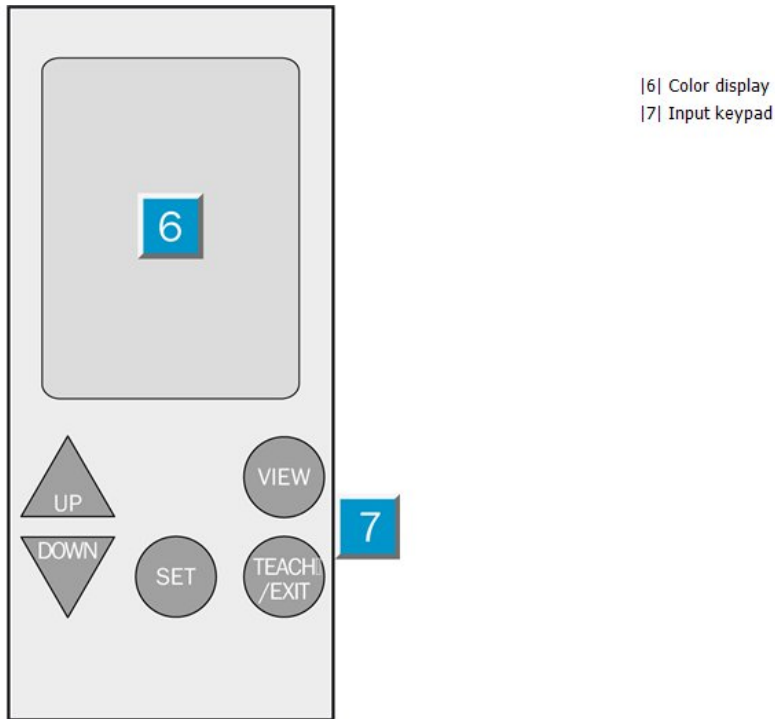
Ambient operating temperature <sup>1)</sup> :	0 °C ... 40 °C
Ambient storage temperature <sup>2)</sup> :	-20 °C ... 70 °C

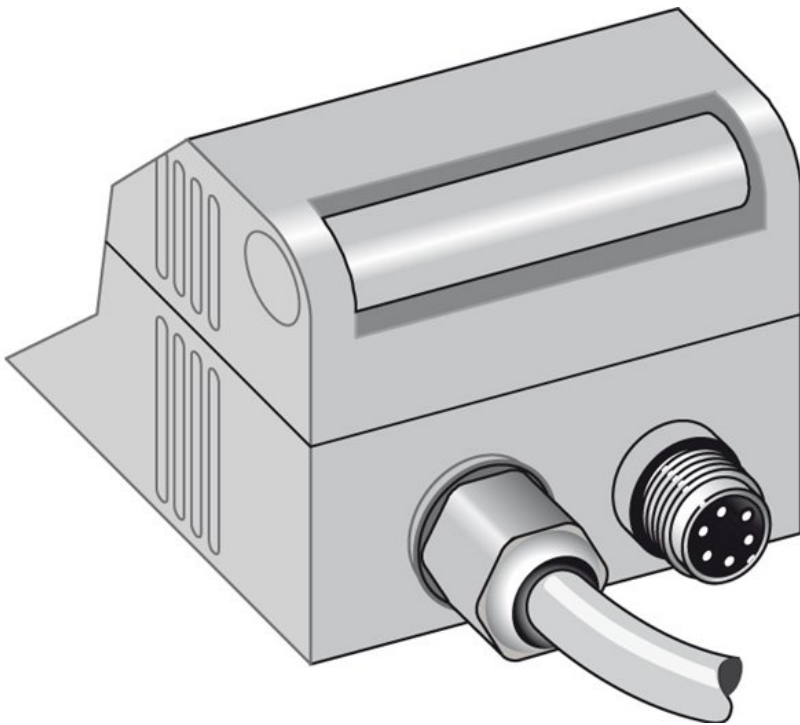
1) 2) Relative humidity: 35 % ... 85 %, 95 % at storage

**Dimensional drawing**



**Adjustment possible**





**Australia**

Phone +61 3 9457 0600  
1800 334 802 – tollfree  
E-Mail sales@sick.com.au

**Belgium/Luxembourg**

Phone +32 (0)2 466 55 66  
E-Mail info@sick.be

**Brasil**

Phone +55 11 3215-4900  
E-Mail sac@sick.com.br

**Canada**

Phone +1 905 771 14 44  
E-Mail information@sick.com

**Ceská Republika**

Phone +420 2 57 91 18 50  
E-Mail sick@sick.cz

**China**

Phone +86 4000 121 000  
E-Mail info.china@sick.net.cn  
Phone +852-2153 6300  
E-Mail ghk@sick.com.hk

**Danmark**

Phone +45 45 82 64 00  
E-Mail sick@sick.dk

**Deutschland**

Phone +49 211 5301-301  
E-Mail kundenservice@sick.de

**España**

Phone +34 93 480 31 00  
E-Mail info@sick.es

**France**

Phone +33 1 64 62 35 00  
E-Mail info@sick.fr

**Great Britain**

Phone +44 (0)1727 831121  
E-Mail info@sick.co.uk

**India**

Phone +91-22-4033 8333  
E-Mail info@sick-india.com

**Israel**

Phone +972-4-6801000  
E-Mail info@sick-sensors.com

**Italia**

Phone +39 02 27 43 41  
E-Mail info@sick.it

**Japan**

Phone +81 (0)3 3358 1341  
E-Mail support@sick.jp

**Magyarország**

Phone +36 1 371 2680  
E-Mail office@sick.hu

**Nederlands**

Phone +31 (0)30 229 25 44  
E-Mail info@sick.nl

**Norge**

Phone +47 67 81 50 00  
E-Mail austefjord@sick.no

**Österreich**

Phone +43 (0)22 36 62 28 8-0  
E-Mail office@sick.at

**Polska**

Phone +48 22 837 40 50  
E-Mail info@sick.pl

**România**

Phone +40 356 171 120  
E-Mail office@sick.ro

**Russia**

Phone +7-495-775-05-30  
E-Mail info@sick.ru

**Schweiz**

Phone +41 41 619 29 39  
E-Mail contact@sick.ch

**Singapore**

Phone +65 6744 3732  
E-Mail admin@sicksgp.com.sg

**Slovenija**

Phone +386 (0)1-47 69 990  
E-Mail office@sick.si

**South Africa**

Phone +27 11 472 3733  
E-Mail info@sickautomation.co.za

**South Korea**

Phone +82 2 786 6321/4  
E-Mail info@sickkorea.net

**Suomi**

Phone +358-9-25 15 800  
E-Mail sick@sick.fi

**Sverige**

Phone +46 10 110 10 00  
E-Mail info@sick.se

**Taiwan**

Phone +886-2-2375-6288  
E-Mail sales@sick.com.tw

**Türkiye**

Phone +90 (216) 528 50 00  
E-Mail info@sick.com.tr

**United Arab Emirates**

Phone +971 (0) 4 8865 878  
E-Mail info@sick.ae

**USA/México**

Phone +1(952) 941-6780  
1 800-325-7425 – tollfree  
E-Mail info@sickusa.com

More representatives and agencies  
at [www.sick.com](http://www.sick.com)