

LOAD FEEDER FUSELESS DIRECT STARTING,
 AC 400V, SIZE S00, 11...16A ;
 AC 24V 1NO (CONTACTOR),
 SPRING LOADED CONNECTION BUSBAR MOUNTING
 40MM TYPE OF COORDINATION 1,
 IQ = 50KA CIRCUIT-BREAKER SCREW TERMINAL
 HYBRID LINK MODULE

General technical data:		
product brand name		SIRIUS
Product designation		non-fused load feeder
Design of the product		direct starter
Size of the load feeder		S0
Protection class IP / on the front		IP20
Degree of pollution		3
Insulation voltage / rated value	V	690
Installation altitude / at a height over sea level / maximum	m	2,000
Ambient temperature		
• during storage	°C	-55 ... +80
• during operating	°C	-20 ... +70
Resistance against shock		12.5g
Impulse voltage resistance / rated value	kV	6
Reference code		
• according to DIN 40719 extended according to IEC 204-2 / according to IEC 750		Q
• according to DIN EN 61346-2		Q
Type of assignment		1
Mechanical operating cycles as operating time / of the contactor / typical		10,000,000
Manufacturer article number		
• of the circuit-breakers included in the scope of supply		3RV1021-4AA10
• of the contactor included in the scope of supply		3RT1017-1AB01
• of the link module included in the scope of supply		3RA1921-1AA00
• of the busbar adapter included in the scope of supply		8US1051-5DM07
Design of the switching contact		electromechanical
Type of the motor protection		bimetal
Adjustable response current		
• of the current-dependent overload release	A	11 ... 16

Communication/ Protocol:		
Product function / bus-communication		No
Protocol / is supported		No
• AS interface protocol		No
• PROFIBUS DP protocol		No
• PROFINET protocol		No
Main circuit:		
Number of poles / for main current circuit		3
Operating voltage / at AC-3 / rated value / maximum	V	400
Operating current / at AC-3 / at 400 V / rated value	A	15.5
Service power / at AC-3 / at 400 V / rated value	kW	7.5
Off-load operating frequency	1/s	15
Control circuit/ Control:		
Voltage type / of control feed voltage		AC
Control supply voltage frequency / 1	Hz	50
• rated value		
Control supply voltage / 1		
• at 50 Hz / for AC		
• rated value	V	24
Auxiliary circuit:		
Product extension / auxiliary switch		Yes
Number of changeover contacts / for auxiliary contacts		0
Inputs/ Outputs:		
Number of digital inputs		0
Short-circuit:		
Product function / short circuit protection		Yes
Design of the short-circuit protection		circuit-breakers
Breaking capacity limit short-circuit current (I _{cu}) / at 400 V / rated value	kA	50
Installation/ mounting/ dimensions:		
mounting position		bei senkrechter Montageebene +/-90° drehbar, bei senkrechter Montageebene +/- 22,5° nach vorne und hinten kippbar
Mounting type		for snapping onto 40 mm busbar systems
Width	mm	45
Height	mm	183
Depth	mm	154

Distance, to be maintained, to the ranks assembly / sidewards	mm	0
Distance, to be maintained, to earthed part		
• forwards	mm	10
• backwards	mm	0
• upwards	mm	30
• sidewards	mm	9
Distance, to be maintained, conductive elements		
• forwards	mm	10
• backwards	mm	9
• downwards	mm	0
• sidewards	mm	30

Connections/ terminals:

Design of the electrical connection / for main current circuit	screw-type terminals
Verification of suitability	UL / CSA / CCC / GL / LRS / BV / DNV / PRS

Certificates/ approvals:

General Product Approval	For use in hazardous locations	Declaration of Conformity
--------------------------	--------------------------------	---------------------------



Shipping Approval



other

[other](#)

[Environmental Confirmations](#)

Further information:

Information- and Downloadcenter (Catalogs, Brochures,...)

<http://www.siemens.com/industrial-controls/catalogs>

Industry Mall (Online ordering system)

<http://www.siemens.com/industrial-controls/mall>

Cax online generator

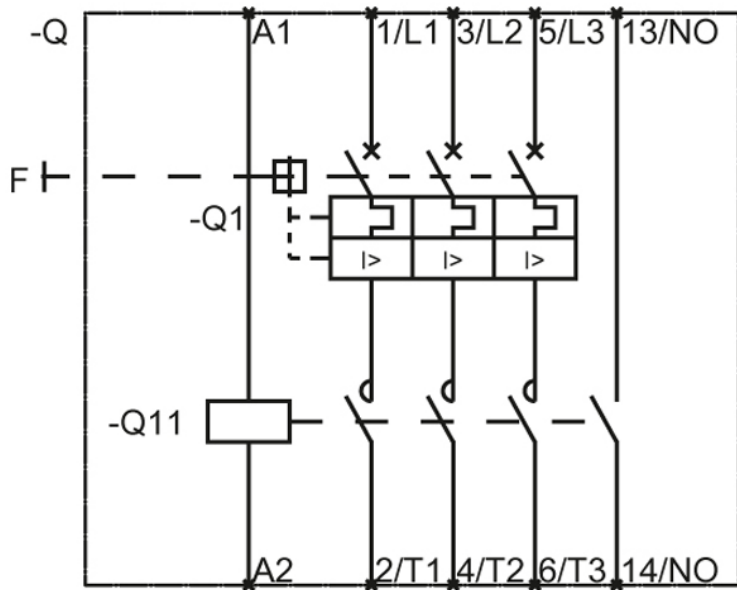
<http://www.siemens.com/cax>

Service&Support (Manuals, Certificates, Characteristics, FAQs,...)

<http://support.automation.siemens.com/WWW/view/en/3RA1120-4AJ17-1AB0/all>

Image database (product images, 2D dimension drawings, 3D models, device circuit diagrams, ...)

http://www.automation.siemens.com/bilddb/cax_en.aspx?mlfb=3RA1120-4AJ17-1AB0



last change:

Jul 7, 2014