



Bar code scanners  
CLV62x / CLV620 / Mid Range

CLV620-3000



**Model Name** > [CLV620-3000](#)  
**Part No.** > [1041552](#)



**At a glance**

- CAN, Ethernet TCP/IP, PROFINET, and EtherNet/IP available on board, no additional gateway needed (depending on variant)
- SMART620 code reconstruction technology
- Flexible sorting, filtering, and logical functions
- Advanced, easy-to-use SOPAS configuration software
- High scanning frequency of up to 1,200 Hz
- Small housing
- Advanced remote diagnostics and network monitoring capabilities available over Ethernet
- IP 65 rated

**Your benefits**

- High read rate on damaged and obscured codes using SMART620 code recognition technology
- Increased scanner intelligence enables sophisticated configuration of logical operations, reducing the control system programming effort. Data is then delivered in the desired format
- No supplementary Ethernet gateway required with Ethernet models - lowers costs
- The CLV62x scanner can be used as a multiplexer in any CAN scanner network from SICK - no supplementary multiplexer necessary
- Real-time decoding at very high speeds
- Small size and simple setup enables fast installation, even in compact machines



**Features**

Version:	Mid Range
Connection type:	Standard
Reading field:	Side (105 °)
Scanner design:	Raster scanner
Focus:	Fixed focus
Light source:	Visible red light (655 nm)
MTBF:	40,000 h
Laser class:	2 (EN 60825-1 (A2:2001-03))
Field of view:	≤ 50 °
Code resolution:	0.2 mm ... 1 mm
Reading distance (at code resolution):	60 mm ... 365 mm (1 mm)
Raster height, number of lines, at distance:	15 mm, 8, 185 mm

Scanning frequency: 400 Hz ... 1,200 Hz

## Performance

---

Bar code types: Interleaved 2 of 5, All current code types, Codabar, Code 128, Code 39, Code 93, GS1 DataBar, GS1-128/EAN 128, Pharmacode, UPC/GTIN/EAN

Print ratio: 2:1 ... 3:1

No. of codes per scan: 1 ... 20 (Standard decoder), 1 ... 6 (SMART620)

No. of codes per reading interval: 1 ... 50 (auto-discriminating)

No. of characters per reading interval: 5,000, 500 (for multiplexer function in CAN operation)

No. of multiple readings: 1 ... 99

## Interfaces

---

Serial (RS-232, RS-422/485): ✓

Remark (Serial (RS-232, RS-422/485)): AUX (only RS-232)

Function (Serial (RS-232, RS-422/485)): Host, AUX

Data transmission rate (Serial (RS-232, RS-422/485)): 2,400 Baud ... 115 kBaud, AUX: 57.6 kBaud

Ethernet: -

Protocol (Ethernet): EtherCAT (optional via external connection module CDF600-2)

CAN bus: ✓

Function (CAN bus): SICK CAN sensor network (Master/Slave, Multiplexer/Server)

Protocol (CAN bus): CANopen, CSN (SICK CAN Sensor Network)

Data transmission rate (CAN bus): 20 kbit/s ... 1 Mbit/s

PROFIBUS DP: ✓

Remark (PROFIBUS DP): Optional via external connection module (CDF)

DeviceNet: ✓

Remark (DeviceNet): Optional via external connection module (CDM + CMF)

Connector: Fix

Switching inputs: 4 ("Sensor 1", "Sensor 2", 2 inputs via optional CMC600 in CDB620/CDM420)

Switching outputs: 4 ("Result 1", "Result 2", 2 outputs via optional CMC600 in CDB620/CDM420)

Reading pulse: Auto pulse, CAN, Non-powered, Switching inputs, Serial interface

Optical indicators: 6 LEDs (Ready, Result, laser, Data, CAN, LNK TX)

Acoustic indicators: Beeper/buzzer (can be switched off, can be allocated as a result status indication function)

## Mechanics/electronics

---

Electrical connection: 1 15-pin D-Sub HD plug (0.9 m)

Operating voltage: 10 V DC ... 30 V DC

Power consumption: 4.5 W

Housing: Die-cast aluminum

Housing color: Light blue (RAL 5012)

Enclosure rating: IP 65 (DIN 40 050)

Protection class: III (VDE 0106/IEC 1010-1)

Weight: 250 g, without connecting cable

Dimensions: 80 mm x 66 mm x 38 mm

## Ambient data

---

Electromagnetic compatibility (EMC): EN 61000-6-3 (2001-10), EN 61000-6-2:2005

Vibration resistance: (EN 60068-2-6 (1995))

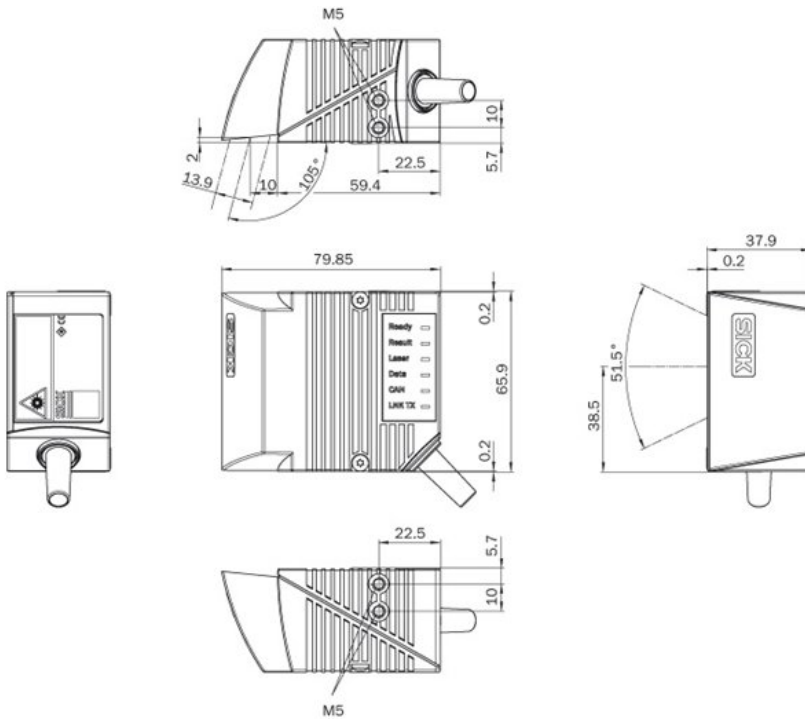
Shock resistance: (EN 60068-2-27 (1993))

Ambient operating temperature: 0 °C ... 40 °C  
 Storage temperature: -20 °C ... 70 °C  
 Permissible relative humidity: 90 %, non-condensing  
 Ambient light safety: 2,000 lx, on bar code  
 Bar code print contrast (PCS): ≥ 60 %

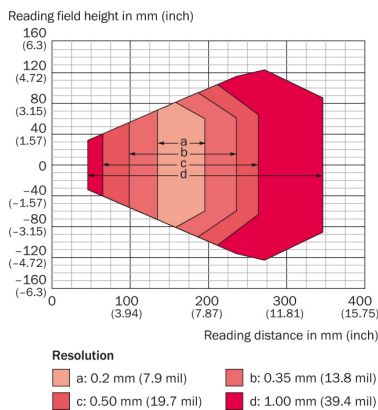
**General notes**

Note on use: For Ethernet connection please use an Ethernet version of CLV6xx

**Dimensional drawing**



**Reading field diagram**



**Australia**

Phone +61 3 9457 0600  
1800 334 802 – tollfree  
E-Mail sales@sick.com.au

**Belgium/Luxembourg**

Phone +32 (0)2 466 55 66  
E-Mail info@sick.be

**Brasil**

Phone +55 11 3215-4900  
E-Mail sac@sick.com.br

**Canada**

Phone +1 905 771 14 44  
E-Mail information@sick.com

**Ceská Republika**

Phone +420 2 57 91 18 50  
E-Mail sick@sick.cz

**China**

Phone +86 4000 121 000  
E-Mail info.china@sick.net.cn  
Phone +852-2153 6300  
E-Mail ghk@sick.com.hk

**Danmark**

Phone +45 45 82 64 00  
E-Mail sick@sick.dk

**Deutschland**

Phone +49 211 5301-301  
E-Mail kundenservice@sick.de

**España**

Phone +34 93 480 31 00  
E-Mail info@sick.es

**France**

Phone +33 1 64 62 35 00  
E-Mail info@sick.fr

**Great Britain**

Phone +44 (0)1727 831121  
E-Mail info@sick.co.uk

**India**

Phone +91-22-4033 8333  
E-Mail info@sick-india.com

**Israel**

Phone +972-4-6801000  
E-Mail info@sick-sensors.com

**Italia**

Phone +39 02 27 43 41  
E-Mail info@sick.it

**Japan**

Phone +81 (0)3 3358 1341  
E-Mail support@sick.jp

**Magyarország**

Phone +36 1 371 2680  
E-Mail office@sick.hu

**Nederlands**

Phone +31 (0)30 229 25 44  
E-Mail info@sick.nl

**Norge**

Phone +47 67 81 50 00  
E-Mail austefjord@sick.no

**Österreich**

Phone +43 (0)22 36 62 28 8-0  
E-Mail office@sick.at

**Polska**

Phone +48 22 837 40 50  
E-Mail info@sick.pl

**România**

Phone +40 356 171 120  
E-Mail office@sick.ro

**Russia**

Phone +7-495-775-05-30  
E-Mail info@sick.ru

**Schweiz**

Phone +41 41 619 29 39  
E-Mail contact@sick.ch

**Singapore**

Phone +65 6744 3732  
E-Mail admin@sicksgp.com.sg

**Slovenija**

Phone +386 (0)1-47 69 990  
E-Mail office@sick.si

**South Africa**

Phone +27 11 472 3733  
E-Mail info@sickautomation.co.za

**South Korea**

Phone +82 2 786 6321/4  
E-Mail info@sickkorea.net

**Suomi**

Phone +358-9-25 15 800  
E-Mail sick@sick.fi

**Sverige**

Phone +46 10 110 10 00  
E-Mail info@sick.se

**Taiwan**

Phone +886-2-2375-6288  
E-Mail sales@sick.com.tw

**Türkiye**

Phone +90 (216) 528 50 00  
E-Mail info@sick.com.tr

**United Arab Emirates**

Phone +971 (0) 4 8865 878  
E-Mail info@sick.ae

**USA/México**

Phone +1(952) 941-6780  
1 800-325-7425 – tollfree  
E-Mail info@sickusa.com

More representatives and agencies  
at [www.sick.com](http://www.sick.com)