



Image-based code readers ICR840-2 / ICR840-2C / Mid Range

ICR840-2C1020



Model Name > [ICR840-2C1020](#)
Part No. > [1042885](#)

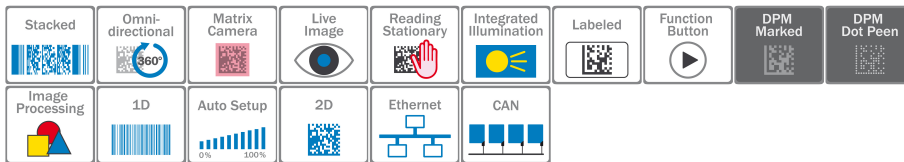


At a glance

- Configure with live image and auto setup
- Fast, omni-directional reading of printed and direct marked 1D and 2D codes
- Rapid image and data transfer via Ethernet
- Reliable reading of codes on stationary objects

Your benefits

- Fast, cost-effective commissioning via easy user interface with live image and auto setup configuration
- High-speed, reliable decoding of low contrast and direct part marked codes guarantees secure identification and flexible use
- Dynamic parameter switching makes decoding different code qualities possible with just one setting
- Omni-directional identification of 1D and 2D codes makes it possible to identify objects that are not aligned
- A wide variety of resolutions and reading distances provide a solution for any application
- Industrial IP 65 / IP 67 housing for rough environmental conditions
- Flexible use with integrated, controllable LED illumination
- Automated configuration for batch changes



Features

Version:	Mid Range
Reading field:	Side
Focus:	Fixed focus
Focus position:	115 mm
Sensor:	CMOS matrix sensor
Sensor resolution:	1,280 px x 1,024 px (1.3 Mpixel
Code resolution:	≥0.15 mm ¹⁾
Reading distance (at code resolution):	70 mm ... 210 mm (0.75 mm) ²⁾
Reading field (at distance):	62 mm x 50 mm (115 mm)
Scanning frequency:	25 Hz, at 1.3 megapixels resolution
Light source:	Visible red light (lighting LEDs, 617 nm, ± 15 nm)
Laser class:	1 (EN 60825-1)

MTBF: 75,000 h

1) 2) Valid for Data Matrix, PDF417 and 1D codes with good printing quality

Performance

Bar code types:	Interleaved 2 of 5, Codabar, Code 128, Code 39, GS1-128/EAN 128, Pharmacode, UPC/GTIN/EAN
2D code types:	Data Matrix ECC200, GS1 Data-Matrix, QR code
No. of codes per scan:	1 ... 50
No. of codes per reading interval:	1 ... 50
No. of characters per reading interval:	4,000

Interfaces

Serial (RS-232):	✓
Function (Serial (RS-232)):	Host, AUX
Data transmission rate (Serial (RS-232)):	300 Baud ... 57,600 Baud, AUX: 9,600 Baud
Ethernet:	✓
Function (Ethernet):	Host, AUX, image transmission
Data transmission rate (Ethernet):	10/100 Mbit
Protocol (Ethernet):	TCP/IP, FTP (image transmission), PROFINET (optional via external connection module CDM)
CAN bus:	✓
Function (CAN bus):	SICK CAN sensor network (Master/Slave, Multiplexer)
Data transmission rate (CAN bus):	10 kbit/s ... 1 Mbit/s
Protocol (CAN bus):	CANopen, CSN (SICK CAN Sensor Network)
PROFIBUS DP:	✓
Remark (PROFIBUS DP):	Optional via external connection module (CDM + CMF)
DeviceNet:	✓
Remark (DeviceNet):	Optional via external connection module (CDM + CMF)
Acoustic indicators:	Beeper/buzzer (can be switched off, can be assigned a function to signal a result)
Optical indicators:	6 LEDs (status displays)
Switching inputs:	2
Switching outputs:	2 (Result 1 NPN, Result 2 PNP)
Reading pulse:	Non-powered, Switching inputs, Serial interface

Mechanics/electronics

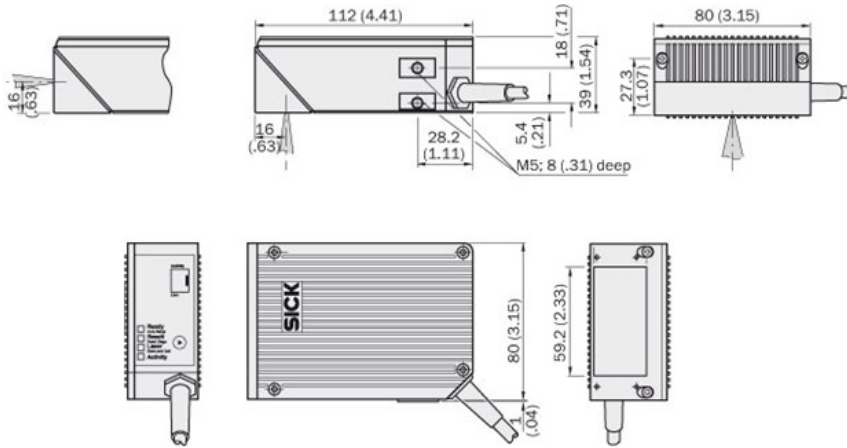
Operating voltage:	15 V DC ... 30 V DC
Power consumption:	13 W
Electrical connection:	1 RJ45 socket on device, cables with 15-pin D-sub HD plug (0.9 m, ± 5 %)
Housing:	Die-cast zinc
Housing color:	Light blue (RAL 5012)
Weight:	900 g, with connecting cable
Dimensions:	112 mm x 80 mm x 39 mm
Enclosure rating:	IP 30, IP 65 (EN 60529) ^{1) 2)}
Protection class:	III (EN 61140)

¹⁾ For installed adapter frame and IP 65 Ethernet cable or for installed adapter frame and IP 65 cover ²⁾ Without covered Ethernet connection or with standard Ethernet cable.

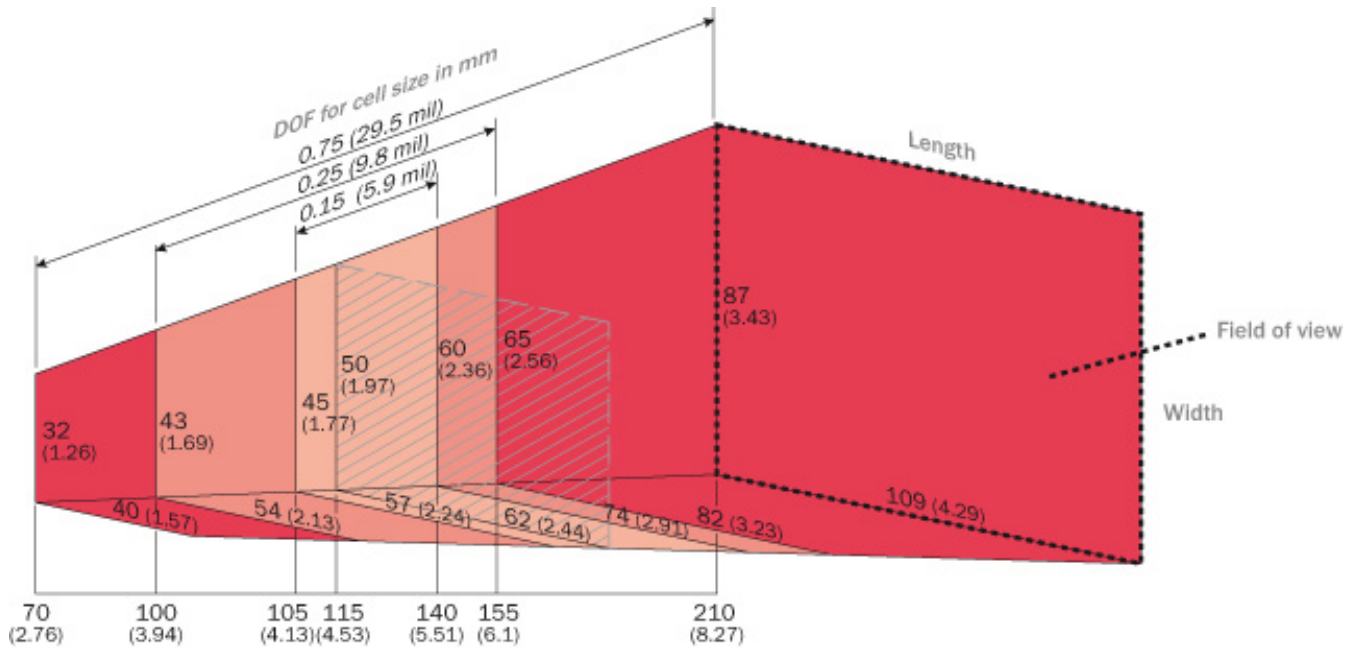
Ambient data

Electromagnetic compatibility (EMC):	EN 61000-6-2/EN 61000-6-4
Vibration resistance:	EN 60068-2-6
Shock resistance:	EN 60068-2-27
Ambient operating temperature:	0 °C ... 40 °C
Storage temperature:	-20 °C ... 70 °C
Permissible relative humidity:	± 90 %, non-condensing
Ambient light safety:	2,000 lx, on bar code

Dimensional drawing



Reading field diagram



Australia

Phone +61 3 9457 0600
1800 334 802 – tollfree
E-Mail sales@sick.com.au

Belgium/Luxembourg

Phone +32 (0)2 466 55 66
E-Mail info@sick.be

Brasil

Phone +55 11 3215-4900
E-Mail sac@sick.com.br

Canada

Phone +1 905 771 14 44
E-Mail information@sick.com

Ceská Republika

Phone +420 2 57 91 18 50
E-Mail sick@sick.cz

China

Phone +86 4000 121 000
E-Mail info.china@sick.net.cn
Phone +852-2153 6300
E-Mail ghk@sick.com.hk

Danmark

Phone +45 45 82 64 00
E-Mail sick@sick.dk

Deutschland

Phone +49 211 5301-301
E-Mail kundenservice@sick.de

España

Phone +34 93 480 31 00
E-Mail info@sick.es

France

Phone +33 1 64 62 35 00
E-Mail info@sick.fr

Great Britain

Phone +44 (0)1727 831121
E-Mail info@sick.co.uk

India

Phone +91-22-4033 8333
E-Mail info@sick-india.com

Israel

Phone +972-4-6801000
E-Mail info@sick-sensors.com

Italia

Phone +39 02 27 43 41
E-Mail info@sick.it

Japan

Phone +81 (0)3 3358 1341
E-Mail support@sick.jp

Magyarország

Phone +36 1 371 2680
E-Mail office@sick.hu

Nederlands

Phone +31 (0)30 229 25 44
E-Mail info@sick.nl

Norge

Phone +47 67 81 50 00
E-Mail austefjord@sick.no

Österreich

Phone +43 (0)22 36 62 28 8-0
E-Mail office@sick.at

Polska

Phone +48 22 837 40 50
E-Mail info@sick.pl

România

Phone +40 356 171 120
E-Mail office@sick.ro

Russia

Phone +7-495-775-05-30
E-Mail info@sick.ru

Schweiz

Phone +41 41 619 29 39
E-Mail contact@sick.ch

Singapore

Phone +65 6744 3732
E-Mail admin@sicksgp.com.sg

Slovenija

Phone +386 (0)1-47 69 990
E-Mail office@sick.si

South Africa

Phone +27 11 472 3733
E-Mail info@sickautomation.co.za

South Korea

Phone +82 2 786 6321/4
E-Mail info@sickkorea.net

Suomi

Phone +358-9-25 15 800
E-Mail sick@sick.fi

Sverige

Phone +46 10 110 10 00
E-Mail info@sick.se

Taiwan

Phone +886-2-2375-6288
E-Mail sales@sick.com.tw

Türkiye

Phone +90 (216) 528 50 00
E-Mail info@sick.com.tr

United Arab Emirates

Phone +971 (0) 4 8865 878
E-Mail info@sick.ae

USA/México

Phone +1(952) 941-6780
1 800-325-7425 – tollfree
E-Mail info@sickusa.com

More representatives and agencies
at www.sick.com