



Connectivity
CDB / CDB405

CDB405-001



Model Name > **CDB405-001**
Part No. > **1027093**



At a glance

- Compact design
- Two mounting holes for fast and precise installation
- Connection diagram integrated in lid
- Clearly visible and easily accessible screw/spring-loaded terminals
- Configuration by switch
- IP 65 connection of a scanner using SICK standard cable
- Cable glands provide strain relief
- Service plug for direct access to the AUX interface

Your benefits

- Compact, fits into small spaces
- Fast installation saves time
- Clearly marked and easily accessed wiring terminals save time when connecting to peripherals
- Easy, rapid troubleshooting
- Small investment
- Extremely rapid exchange of scanners through use of a Connection Module Cloning (CMC) unit



Features

Brief description:	Small connection module for 5-V hand-held scanners, CLV50x and ICR80x
Supported products:	5-V hand-held scanner
Supports cloning module (CMC):	No
Supports display module (CMD):	No
Supports power supply module (CMP):	No
Supports fieldbus gateway (CMF):	No

Interfaces

Serial (RS-232, RS-422/485):	✓
Remark (Serial (RS-232, RS-422/485)):	Depending on sensor connected
Ethernet:	-
CAN bus:	-
PROFIBUS DP:	-
DeviceNet:	-
Switching inputs:	Depending on sensor connected
Switching outputs:	Depending on sensor connected

Optical indicators: 6 LED

Mechanics/electronics

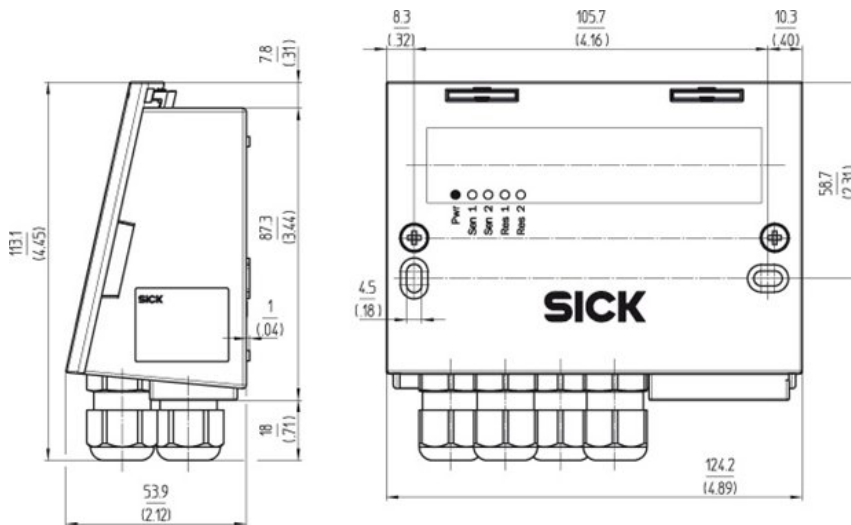
Operating voltage: 18 V DC ... 30 V DC
Power consumption: 4 W
Housing: Polycarbonat
Enclosure rating: IP 65 (DIN 40 050) ¹⁾
Protection class: III (VDE 0106)
Weight: 250 g
Dimensions: 124.2 mm x 113.1 mm x 53.9 mm
Housing color: Blue (RAL 5012)
Scanner connection: 15-pin D-Sub HD socket
Service plug: 9-pin D-Sub socket (internal)

¹⁾ When using a SICK scanner standard connecting cable

Ambient data

Ambient operating temperature: 0 °C ... 40 °C
Storage temperature: -20 °C ... 70 °C
Permissible relative humidity: ± 90 %, non-condensing

Dimensional drawing



Australia

Phone +61 3 9457 0600
1800 334 802 – tollfree
E-Mail sales@sick.com.au

Belgium/Luxembourg

Phone +32 (0)2 466 55 66
E-Mail info@sick.be

Brasil

Phone +55 11 3215-4900
E-Mail sac@sick.com.br

Canada

Phone +1 905 771 14 44
E-Mail information@sick.com

Ceská Republika

Phone +420 2 57 91 18 50
E-Mail sick@sick.cz

China

Phone +86 4000 121 000
E-Mail info.china@sick.net.cn
Phone +852-2153 6300
E-Mail ghk@sick.com.hk

Danmark

Phone +45 45 82 64 00
E-Mail sick@sick.dk

Deutschland

Phone +49 211 5301-301
E-Mail kundenservice@sick.de

España

Phone +34 93 480 31 00
E-Mail info@sick.es

France

Phone +33 1 64 62 35 00
E-Mail info@sick.fr

Great Britain

Phone +44 (0)1727 831121
E-Mail info@sick.co.uk

India

Phone +91-22-4033 8333
E-Mail info@sick-india.com

Israel

Phone +972-4-6801000
E-Mail info@sick-sensors.com

Italia

Phone +39 02 27 43 41
E-Mail info@sick.it

Japan

Phone +81 (0)3 3358 1341
E-Mail support@sick.jp

Magyarország

Phone +36 1 371 2680
E-Mail office@sick.hu

Nederlands

Phone +31 (0)30 229 25 44
E-Mail info@sick.nl

Norge

Phone +47 67 81 50 00
E-Mail austefjord@sick.no

Österreich

Phone +43 (0)22 36 62 28 8-0
E-Mail office@sick.at

Polska

Phone +48 22 837 40 50
E-Mail info@sick.pl

România

Phone +40 356 171 120
E-Mail office@sick.ro

Russia

Phone +7-495-775-05-30
E-Mail info@sick.ru

Schweiz

Phone +41 41 619 29 39
E-Mail contact@sick.ch

Singapore

Phone +65 6744 3732
E-Mail admin@sicksgp.com.sg

Slovenija

Phone +386 (0)1-47 69 990
E-Mail office@sick.si

South Africa

Phone +27 11 472 3733
E-Mail info@sickautomation.co.za

South Korea

Phone +82 2 786 6321/4
E-Mail info@sickkorea.net

Suomi

Phone +358-9-25 15 800
E-Mail sick@sick.fi

Sverige

Phone +46 10 110 10 00
E-Mail info@sick.se

Taiwan

Phone +886-2-2375-6288
E-Mail sales@sick.com.tw

Türkiye

Phone +90 (216) 528 50 00
E-Mail info@sick.com.tr

United Arab Emirates

Phone +971 (0) 4 8865 878
E-Mail info@sick.ae

USA/México

Phone +1(952) 941-6780
1 800-325-7425 – tollfree
E-Mail info@sickusa.com

More representatives and agencies
at www.sick.com