



Laser scanners
S100 / S100 Standard / Indoor / Short Range

S10B-9011BA



Model Name > [S10B-9011BA](#)
Part No. > [1042266](#)



At a glance

- Small, lightweight and economical measurement system
- Field evaluation using intelligent algorithms
- Parameter setting interface is accessible from the front while the device is mounted

Your benefits

- Simple mounting due to lightweight design
- No wiring between sender and receiver
- Rapid diagnostics due to a 7-segment display, reducing downtime
- Connectivity in both back and bottom of device provide improved installation flexibility
- 270° scanning angle makes it ideal for both horizontal and vertical applications



Features

Field of application:	Indoor
Version:	Short Range
Light source:	Infrared (905 nm)
Laser class:	1 (21CFR 1040.10, 21CFR 1040.11, IEC60825-1:2001)
Field of view:	270 °
Scanning frequency:	25 Hz
Angular resolution:	0.5 °
Operating range:	0 m ... 10 m
Max. range with 10 % reflectivity:	4.5 m

Performance

Detectable object shape:	Almost any (diameter: 30 mm, 40 mm, 50 mm, 70 mm, 150 mm (selectable))
Integrated application:	Field evaluation
Number of field sets:	1 field pair (2 fields)
Simultaneous processing cases:	1 (2 fields)

Interfaces

Serial (RS-232):	✓
Ethernet:	-
CAN bus:	✓

Protocol (CAN bus):	CANopen
PROFIBUS DP:	-
PROFINET:	-
DeviceNet:	-
Switching inputs:	1
Switching outputs:	2
Optical indicators:	1 7-segment display (contamination warning, initial condition)

Mechanics/electronics

Electrical connection:	1 system plug with screw terminal block
Operating voltage:	16.8 V DC ... 30 V DC
Power consumption:	8 W
Housing color:	Black (RAL 9005)
Enclosure rating:	IP 65 (EN 60529, Section 14.2.5)
Protection class:	II (VDE 0106, EN50178)
Weight:	1.2 kg, without connecting cables
Dimensions:	105 mm x 102 mm x 152 mm
Output current:	≤ 250 mA

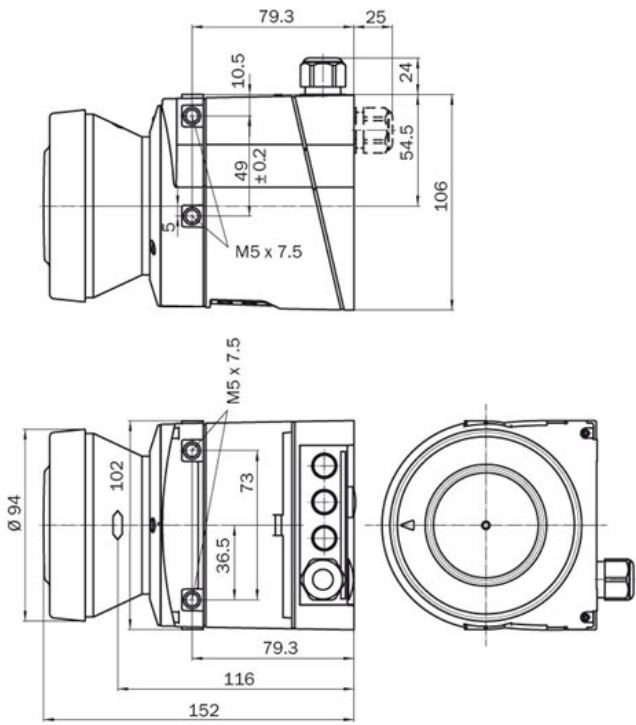
Ambient data

Object remission:	1.8 % ... > 1,000 % (reflectors)
Ambient operating temperature:	-10 °C ... 50 °C
Storage temperature:	-30 °C ... 70 °C

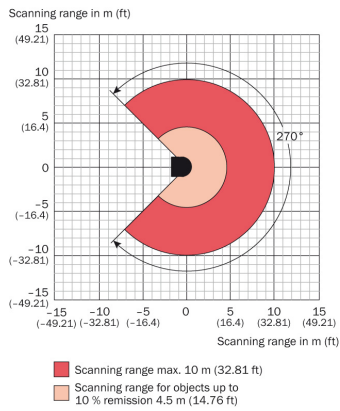
General notes

Note on use:	Not suitable for personnel protection
--------------	---------------------------------------

Dimensional drawing



Operating range diagram



Australia

Phone +61 3 9457 0600
1800 334 802 – tollfree
E-Mail sales@sick.com.au

Belgium/Luxembourg

Phone +32 (0)2 466 55 66
E-Mail info@sick.be

Brasil

Phone +55 11 3215-4900
E-Mail sac@sick.com.br

Canada

Phone +1 905 771 14 44
E-Mail information@sick.com

Ceská Republika

Phone +420 2 57 91 18 50
E-Mail sick@sick.cz

China

Phone +86 4000 121 000
E-Mail info.china@sick.net.cn
Phone +852-2153 6300
E-Mail ghk@sick.com.hk

Danmark

Phone +45 45 82 64 00
E-Mail sick@sick.dk

Deutschland

Phone +49 211 5301-301
E-Mail kundenservice@sick.de

España

Phone +34 93 480 31 00
E-Mail info@sick.es

France

Phone +33 1 64 62 35 00
E-Mail info@sick.fr

Great Britain

Phone +44 (0)1727 831121
E-Mail info@sick.co.uk

India

Phone +91-22-4033 8333
E-Mail info@sick-india.com

Israel

Phone +972-4-6801000
E-Mail info@sick-sensors.com

Italia

Phone +39 02 27 43 41
E-Mail info@sick.it

Japan

Phone +81 (0)3 3358 1341
E-Mail support@sick.jp

Magyarország

Phone +36 1 371 2680
E-Mail office@sick.hu

Nederlands

Phone +31 (0)30 229 25 44
E-Mail info@sick.nl

Norge

Phone +47 67 81 50 00
E-Mail austefjord@sick.no

Österreich

Phone +43 (0)22 36 62 28 8-0
E-Mail office@sick.at

Polska

Phone +48 22 837 40 50
E-Mail info@sick.pl

România

Phone +40 356 171 120
E-Mail office@sick.ro

Russia

Phone +7-495-775-05-30
E-Mail info@sick.ru

Schweiz

Phone +41 41 619 29 39
E-Mail contact@sick.ch

Singapore

Phone +65 6744 3732
E-Mail admin@sicksgp.com.sg

Slovenija

Phone +386 (0)1-47 69 990
E-Mail office@sick.si

South Africa

Phone +27 11 472 3733
E-Mail info@sickautomation.co.za

South Korea

Phone +82 2 786 6321/4
E-Mail info@sickkorea.net

Suomi

Phone +358-9-25 15 800
E-Mail sick@sick.fi

Sverige

Phone +46 10 110 10 00
E-Mail info@sick.se

Taiwan

Phone +886-2-2375-6288
E-Mail sales@sick.com.tw

Türkiye

Phone +90 (216) 528 50 00
E-Mail info@sick.com.tr

United Arab Emirates

Phone +971 (0) 4 8865 878
E-Mail info@sick.ae

USA/México

Phone +1(952) 941-6780
1 800-325-7425 – tollfree
E-Mail info@sickusa.com

More representatives and agencies
at www.sick.com