

LOAD FEEDER,  
 FUSELESS DIRECT-ON-LINE STARTING,  
 AC 400 V, SIZE S0 14...20A, DC 24V,  
 1NO+1NC (CIRCUIT BREAKER) WITH SHIFT-TYPE  
 ADAPTER TYPE OF COORD. 1,  
 IQ = 50KA CIRCUIT BREAKER S0

**General technical data:**

<b>product brand name</b>		SIRIUS
<b>Product designation</b>		non-fused load feeder
<b>Design of the product</b>		direct starter
<b>Size of the load feeder</b>		S0
<b>Protection class IP / on the front</b>		IP20
<b>Degree of pollution</b>		3
<b>Insulation voltage / rated value</b>	V	690
<b>Installation altitude / at a height over sea level / maximum</b>	m	2,000
<b>Ambient temperature</b>		
• during storage	°C	-55 ... +80
• during operating	°C	-20 ... +70
<b>Resistance against shock</b>		12.5g
<b>Impulse voltage resistance / rated value</b>	kV	6
<b>Reference code</b>		
• according to DIN 40719 extended according to IEC 204-2 / according to IEC 750		Q
• according to DIN EN 61346-2		Q
<b>Type of assignment</b>		2
<b>Mechanical operating cycles as operating time / of the contactor / typical</b>		10,000,000
<b>Manufacturer article number</b>		
• of the standard mounting rail adapter included in the scope of supply		<a href="#">3RA1922-1L</a>
• of the circuit-breakers included in the scope of supply		<a href="#">3RV1021-4BA15</a>
• of the contactor included in the scope of supply		<a href="#">3RT1025-1BB40</a>
• of the link module included in the scope of supply		<a href="#">3RA1921-1BA00</a>
<b>Design of the switching contact</b>		electromechanical
<b>Type of the motor protection</b>		bimetal
<b>Adjustable response current</b>		
• of the current-dependent overload release	A	14 ... 20

**Communication/ Protocol:**

<b>Product function / bus-communication</b>		No
<b>Protocol / is supported</b>		
• AS interface protocol		No
• PROFIBUS DP protocol		No
• PROFINET protocol		No

**Main circuit:**

<b>Number of poles / for main current circuit</b>		3
<b>Operating voltage / at AC-3 / rated value / maximum</b>	V	400
<b>Operating current / at AC-3 / at 400 V / rated value</b>	A	15.5
<b>Service power / at AC-3 / at 400 V / rated value</b>	kW	7.5
<b>Off-load operating frequency</b>	1/s	15

**Control circuit/ Control:**

<b>Voltage type / of control feed voltage</b>		DC
<b>Control supply voltage / 1</b>		
• for DC		
• rated value	V	24

**Auxiliary circuit:**

<b>Product extension / auxiliary switch</b>		Yes
<b>Number of NC contacts / for auxiliary contacts</b>		1
<b>Number of NO contacts / for auxiliary contacts</b>		1
<b>Number of changeover contacts / for auxiliary contacts</b>		0

**Inputs/ Outputs:**

<b>Number of digital inputs</b>		0
---------------------------------	--	---

**Short-circuit:**

<b>Product function / short circuit protection</b>		Yes
<b>Design of the short-circuit protection</b>		circuit-breakers
<b>Breaking capacity limit short-circuit current (I<sub>cu</sub>) / at 400 V / rated value</b>	kA	50

**Installation/ mounting/ dimensions:**

<b>mounting position</b>		bei senkrechter Montageebene +/-90° drehbar, bei senkrechter Montageebene +/- 22,5° nach vorne und hinten kippbar
<b>Mounting type</b>		snap-on mounting
<b>Width</b>	mm	45
<b>Height</b>	mm	205
<b>Depth</b>	mm	154

<b>Distance, to be maintained, to the ranks assembly / sidewards</b>	mm	0
<b>Distance, to be maintained, to earthed part</b>		
• forwards	mm	10
• backwards	mm	0
• upwards	mm	30
• sidewards	mm	9
<b>Distance, to be maintained, conductive elements</b>		
• forwards	mm	10
• backwards	mm	9
• downwards	mm	0
• sidewards	mm	30

### Connections/ terminals:

<b>Design of the electrical connection / for main current circuit</b>		screw-type terminals
<b>Type of the connectable conductor cross-section</b>		
• for main contacts		
• solid		1 ... 6 mm <sup>2</sup> , 2x (1 ... 2.5 mm <sup>2</sup> ), 2x (2.5 ... 6 mm <sup>2</sup> )
• stranded		1 ... 6 mm <sup>2</sup> , 2x (1 ... 2.5 mm <sup>2</sup> ), 2x (2.5 ... 6 mm <sup>2</sup> )
• finely stranded / with conductor end processing		1 ... 6 mm <sup>2</sup> , 2x (1 ... 2.5 mm <sup>2</sup> ), 2x (2.5 ... 6 mm <sup>2</sup> )
• for AWG conductors / for main contacts		2x (14 ... 10)
<b>Verification of suitability</b>		UL / CSA / CCC / GL / LRS / BV / DNV / PRS

### Certificates/ approvals:

General Product Approval	For use in hazardous locations	Declaration of Conformity
		
	ATEX	EG-Konf.

### Shipping Approval



GL



LRS



RINA



RMRS

### other

[other](#)

[Environmental Confirmations](#)

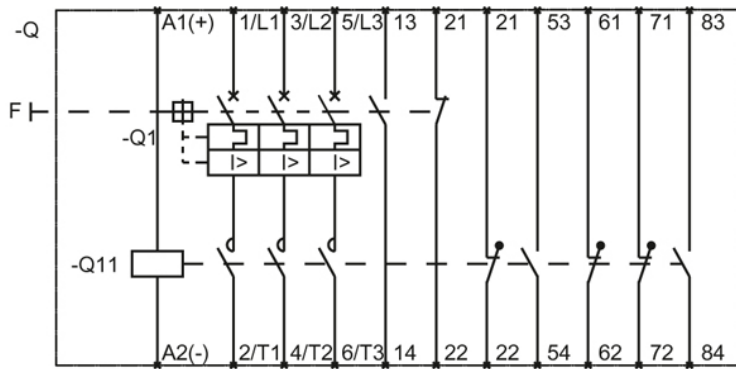
### Further information:

#### Information- and Downloadcenter (Catalogs, Brochures,...)

<http://www.siemens.com/industrial-controls/catalogs>

#### Industry Mall (Online ordering system)

<http://www.siemens.com/industrial-controls/mall>



last change:

Jul 28, 2014