



Laser scanners  
LD-PeCo / Indoor / Mid Range

LD-PeCo-5,5



**Model Name** > [LD-PeCo-5,5](#)  
**Part No.** > [1023382](#)



**At a glance**

- Simultaneous counting of incoming and outgoing people
- Able to use with large passage widths
- High mounting heights possible

**Your benefits**

- Time-of-flight technology guarantees high count quality and reliability
- Due to its large range, installation on an existing ceiling or doorway is simple
- Large passage widths generally require only one sensor, reducing installation time and overall costs

**Note: The product has been phased out. Please contact your national subsidiary/agent for further information.**



**Features**

Field of application:	Indoor
Version:	Mid Range
Light source:	Infrared (905 nm)
Laser class:	1, eye-safe
Field of view:	90 °
Scanning frequency:	10 Hz
Operating range:	2.5 m ... 5.5 m
Max. range with 10 % reflectivity:	5.5 m
Corridor width:	1 m ... 26 m

**Performance**

Detectable object shape:	Almost any
Integrated application:	People counting
Max. throughput speed:	2.4 m/s

**Interfaces**

Serial (RS-422):	✓
Data transmission rate (Serial (RS-422)):	19,200 Baud
Ethernet:	-
CAN bus:	-

PROFIBUS DP:	-
PROFINET:	-
DeviceNet:	-
Switching outputs:	2 („Count IN", „Count OUT")
Optical indicators:	4 LEDs (Status display)

### Mechanics/electronics

Electrical connection:	1 10-pin terminal strip on internal interner circuit board
Operating voltage:	$\leq 24 \text{ V DC} \pm 15 \%$
Power consumption:	36 W
Housing:	Polystrol
Housing color:	White aluminium (RAL 9006)
Enclosure rating:	IP 40 (DIN 40 050)
Weight:	6 kg
Dimensions:	340 mm x 350 mm x 180 mm

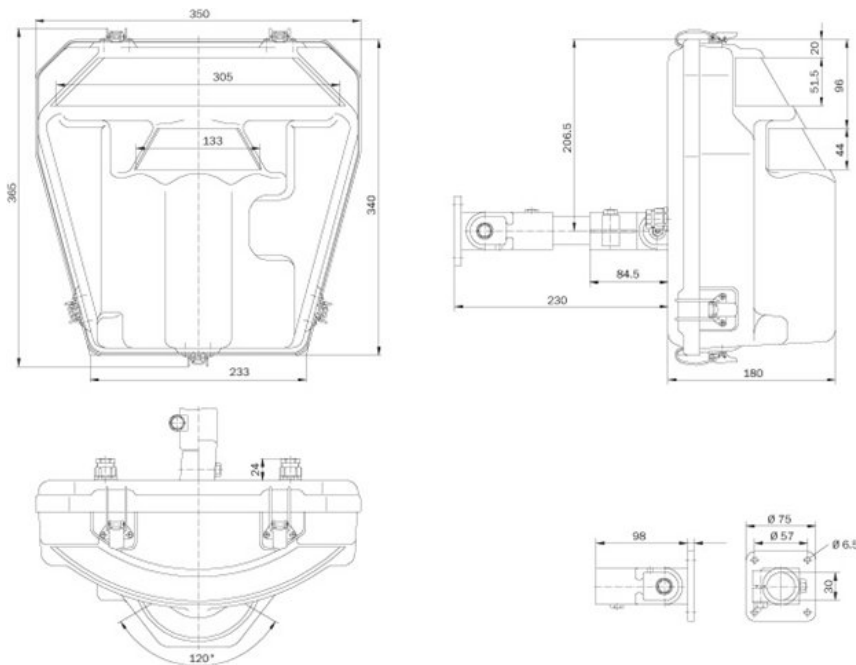
### Ambient data

Electromagnetic compatibility (EMC):	(EN 61000-6-3) (EN 61000-6-1)
Ambient operating temperature:	0 °C ... 40 °C
Storage temperature:	-20 °C ... 80 °C
Permissible relative humidity:	85 %, non-condensing

### General notes

Note on use:	Not suitable for personnel protection
Life cycle phase:	Phased out

### Dimensional drawing



**Australia**

Phone +61 3 9457 0600  
1800 334 802 – tollfree  
E-Mail sales@sick.com.au

**Belgium/Luxembourg**

Phone +32 (0)2 466 55 66  
E-Mail info@sick.be

**Brasil**

Phone +55 11 3215-4900  
E-Mail sac@sick.com.br

**Canada**

Phone +1 905 771 14 44  
E-Mail information@sick.com

**Ceská Republika**

Phone +420 2 57 91 18 50  
E-Mail sick@sick.cz

**China**

Phone +86 4000 121 000  
E-Mail info.china@sick.net.cn  
Phone +852-2153 6300  
E-Mail ghk@sick.com.hk

**Danmark**

Phone +45 45 82 64 00  
E-Mail sick@sick.dk

**Deutschland**

Phone +49 211 5301-301  
E-Mail kundenservice@sick.de

**España**

Phone +34 93 480 31 00  
E-Mail info@sick.es

**France**

Phone +33 1 64 62 35 00  
E-Mail info@sick.fr

**Great Britain**

Phone +44 (0)1727 831121  
E-Mail info@sick.co.uk

**India**

Phone +91-22-4033 8333  
E-Mail info@sick-india.com

**Israel**

Phone +972-4-6801000  
E-Mail info@sick-sensors.com

**Italia**

Phone +39 02 27 43 41  
E-Mail info@sick.it

**Japan**

Phone +81 (0)3 3358 1341  
E-Mail support@sick.jp

**Magyarország**

Phone +36 1 371 2680  
E-Mail office@sick.hu

**Nederlands**

Phone +31 (0)30 229 25 44  
E-Mail info@sick.nl

**Norge**

Phone +47 67 81 50 00  
E-Mail austefjord@sick.no

**Österreich**

Phone +43 (0)22 36 62 28 8-0  
E-Mail office@sick.at

**Polska**

Phone +48 22 837 40 50  
E-Mail info@sick.pl

**România**

Phone +40 356 171 120  
E-Mail office@sick.ro

**Russia**

Phone +7-495-775-05-30  
E-Mail info@sick.ru

**Schweiz**

Phone +41 41 619 29 39  
E-Mail contact@sick.ch

**Singapore**

Phone +65 6744 3732  
E-Mail admin@sicksgp.com.sg

**Slovenija**

Phone +386 (0)1-47 69 990  
E-Mail office@sick.si

**South Africa**

Phone +27 11 472 3733  
E-Mail info@sickautomation.co.za

**South Korea**

Phone +82 2 786 6321/4  
E-Mail info@sickkorea.net

**Suomi**

Phone +358-9-25 15 800  
E-Mail sick@sick.fi

**Sverige**

Phone +46 10 110 10 00  
E-Mail info@sick.se

**Taiwan**

Phone +886-2-2375-6288  
E-Mail sales@sick.com.tw

**Türkiye**

Phone +90 (216) 528 50 00  
E-Mail info@sick.com.tr

**United Arab Emirates**

Phone +971 (0) 4 8865 878  
E-Mail info@sick.ae

**USA/México**

Phone +1(952) 941-6780  
1 800-325-7425 – tollfree  
E-Mail info@sickusa.com

More representatives and agencies  
at [www.sick.com](http://www.sick.com)