



Laser scanners
NAV / NAV300 / Indoor / Mid Range

NAV300-2232



Model Name > [NAV300-2232](#)
Part No. > [1043365](#)



At a glance

- Simple integration via standard interface
- Accurate reflector position measurements
- Immune to unwanted reflections
- Precise contour and reflector data
- Real-time output of measurement data via Ethernet interface

Your benefits

- Integrated measurement data evaluation reduces the computing effort in vehicle computers, saving time
- Track guidance without reflector marks increases application flexibility
- The positioning system allows maximum freedom in the design of the vehicle
- Economical, even for small and medium-sized vehicles
- Simple alteration and teach-in of routes gives user more control over the application
- Accurate measurements, even under harsh environmental conditions



Features

Field of application:	Indoor
Version:	Mid Range
Light source:	905 nm
Laser class:	1, eye-safe
Field of view:	360 °
Scanning frequency:	5 Hz ... 15 Hz
Angular resolution:	0.1 °
Operating range:	0.5 m ... 250 m (70 m on reflectors)
Max. range with 10 % reflectivity:	35 m

Performance

Detectable object shape:	Almost any
Systematic error ¹⁾ :	± 10 mm (RDI) ± 15 mm (Contour)
Statistical error ²⁾ :	± 10 mm (RDI) ± 15 mm (Contour)
Integrated application:	Navigation

1) 2) Typical value; actual value depends on environmental conditions.

Interfaces

Serial (RS-232, RS-422):	✓
Ethernet:	✓
Data transmission rate (Ethernet):	10 Mbit/s
Protocol (Ethernet):	TCP/IP
CAN bus:	✓
Data transmission rate (CAN bus):	10 bit/s ... 1 Mbit/s
PROFIBUS DP:	-
PROFINET:	-
DeviceNet:	-
Optical indicators:	4 LEDs (status displays)

Mechanics/electronics

Electrical connection:	1 6-pin terminal block, 15-pin D-Sub HD plug
Operating voltage:	≥ 24 V DC± 15 %
Power consumption:	36 W
Housing:	Die-cast aluminum
Housing color:	Light blue (RAL 5012)
Enclosure rating:	IP 65
Protection class:	III
Weight:	2.4 kg
Dimensions:	115 mm x 120.5 mm x 222 mm

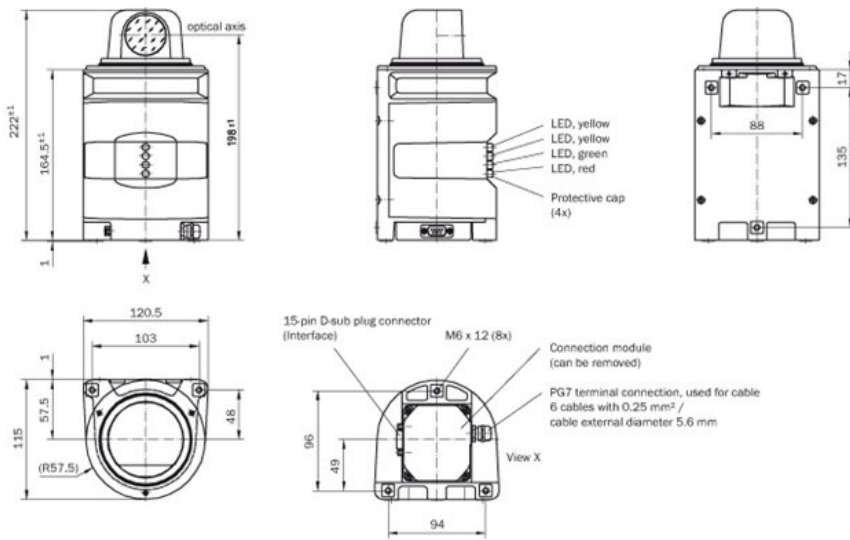
Ambient data

Ambient operating temperature:	0 °C ... 50 °C
Storage temperature:	-20 °C ... 80 °C
Permissible relative humidity:	± 85 %, non-condensing
Reflector marks:	Stripes: ≥ 80 mm, Cylindrical: diameter ≥ 80 mm

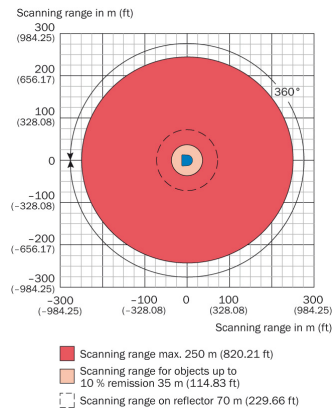
General notes

Note on use:	Not suitable for personnel protection
--------------	---------------------------------------

Dimensional drawing



Operating range diagram



Australia

Phone +61 3 9457 0600
1800 334 802 – tollfree
E-Mail sales@sick.com.au

Belgium/Luxembourg

Phone +32 (0)2 466 55 66
E-Mail info@sick.be

Brasil

Phone +55 11 3215-4900
E-Mail sac@sick.com.br

Canada

Phone +1 905 771 14 44
E-Mail information@sick.com

Ceská Republika

Phone +420 2 57 91 18 50
E-Mail sick@sick.cz

China

Phone +86 4000 121 000
E-Mail info.china@sick.net.cn
Phone +852-2153 6300
E-Mail ghk@sick.com.hk

Danmark

Phone +45 45 82 64 00
E-Mail sick@sick.dk

Deutschland

Phone +49 211 5301-301
E-Mail kundenservice@sick.de

España

Phone +34 93 480 31 00
E-Mail info@sick.es

France

Phone +33 1 64 62 35 00
E-Mail info@sick.fr

Great Britain

Phone +44 (0)1727 831121
E-Mail info@sick.co.uk

India

Phone +91-22-4033 8333
E-Mail info@sick-india.com

Israel

Phone +972-4-6801000
E-Mail info@sick-sensors.com

Italia

Phone +39 02 27 43 41
E-Mail info@sick.it

Japan

Phone +81 (0)3 3358 1341
E-Mail support@sick.jp

Magyarország

Phone +36 1 371 2680
E-Mail office@sick.hu

Nederlands

Phone +31 (0)30 229 25 44
E-Mail info@sick.nl

Norge

Phone +47 67 81 50 00
E-Mail austefjord@sick.no

Österreich

Phone +43 (0)22 36 62 28 8-0
E-Mail office@sick.at

Polska

Phone +48 22 837 40 50
E-Mail info@sick.pl

România

Phone +40 356 171 120
E-Mail office@sick.ro

Russia

Phone +7-495-775-05-30
E-Mail info@sick.ru

Schweiz

Phone +41 41 619 29 39
E-Mail contact@sick.ch

Singapore

Phone +65 6744 3732
E-Mail admin@sicksgp.com.sg

Slovenija

Phone +386 (0)1-47 69 990
E-Mail office@sick.si

South Africa

Phone +27 11 472 3733
E-Mail info@sickautomation.co.za

South Korea

Phone +82 2 786 6321/4
E-Mail info@sickkorea.net

Suomi

Phone +358-9-25 15 800
E-Mail sick@sick.fi

Sverige

Phone +46 10 110 10 00
E-Mail info@sick.se

Taiwan

Phone +886-2-2375-6288
E-Mail sales@sick.com.tw

Türkiye

Phone +90 (216) 528 50 00
E-Mail info@sick.com.tr

United Arab Emirates

Phone +971 (0) 4 8865 878
E-Mail info@sick.ae

USA/México

Phone +1(952) 941-6780
1 800-325-7425 – tollfree
E-Mail info@sickusa.com

More representatives and agencies
at www.sick.com