

LOAD FEEDER FUSE LINE REVERSING DUTY,
400 V AC SIZE S00, 7...10 A, 24 V DC,
1NO+ 1NC CIRCUIT-BREAKER 2NO+2NC (CONTACTOR),
SCREW WITH SLIDING ADAPTER

Certificates/ approvals:

General Product
Approval

For use in
hazardous
locations

Declaration of Conformity



Shipping Approval



other

[other](#)

[Environmental
Confirmations](#)

Further information:

Information- and Downloadcenter (Catalogs, Brochures,...)

<http://www.siemens.com/industrial-controls/catalogs>

Industry Mall (Online ordering system)

<http://www.siemens.com/industrial-controls/mall>

Cax online generator

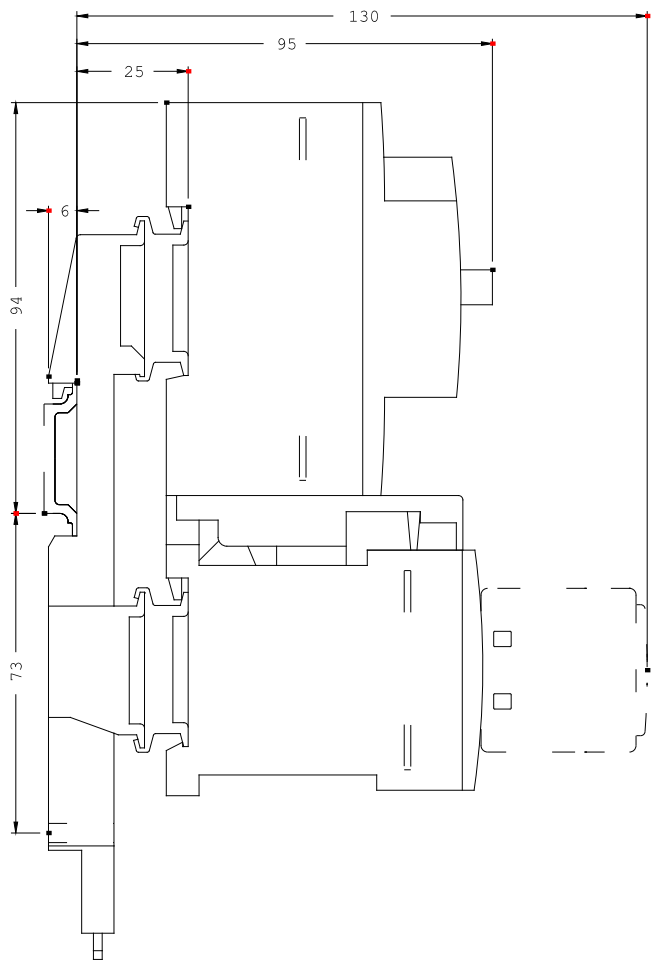
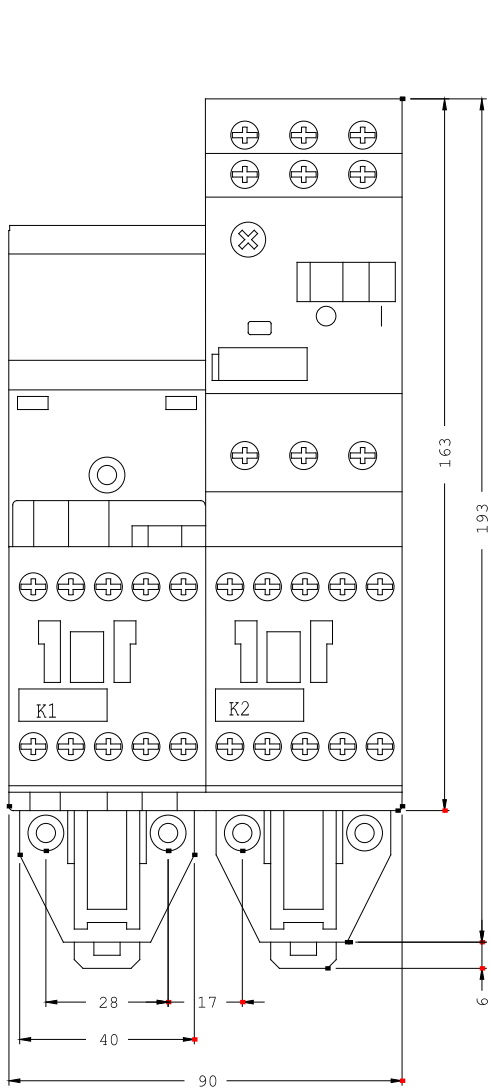
<http://www.siemens.com/cax>

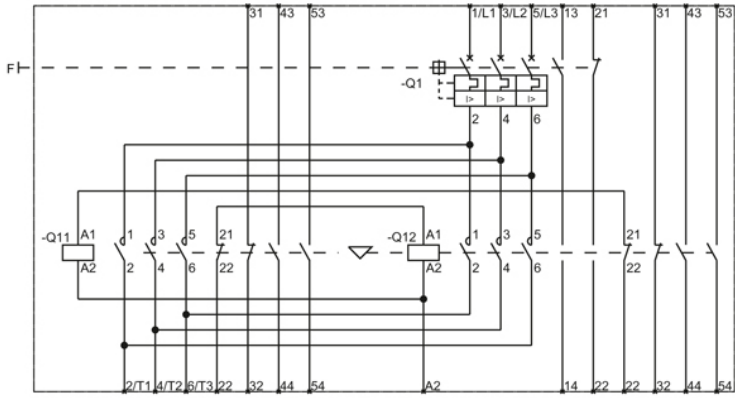
Service&Support (Manuals, Certificates, Characteristics, FAQs,...)

<http://support.automation.siemens.com/WW/view/en/3RA1215-1JL16-4BB4/all>

Image database (product images, 2D dimension drawings, 3D models, device circuit diagrams, ...)

http://www.automation.siemens.com/bilddb/cax_en.aspx?mlfb=3RA1215-1JL16-4BB4





last change: