

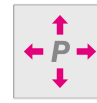


Pressure sensors
Level Probe

LFH-SB1X6G1AS30SZ0



Model Name > LFH-SB1X6G1AS30SZ0
Part No. > 6040957



Product may differ from illustration

At a glance

- Immersion depth up to 100 m
- Available with various cable lengths (PUR)
- Measuring ranges from 0...0.25 bar up to 0...10 bar
- Stainless steel membrane
- Output signal 4...20 mA
- Hermetically sealed stainless steel housing with PA protection cap

Your benefits

- Enables level measurement under difficult conditions where other measurement technologies fail
- Rugged and reliable through robust mechanical design and high-grade materials
- For cleaning purposes the probe can easily be taken out of the liquid
- No openings required in the wall of the vessel



Features

| | |
|----------------------|-------------------|
| Pressure type: | Gauge pressure |
| Measuring range: | 0 bar ... 1.6 bar |
| Process temperature: | -10 °C ... 50 °C |
| CE-conformity: | ✓ |
| Output signal: | 4...20 mA |

Performance

| | |
|---|--|
| Accuracy: | ≤ +/- 0.5 % (of span) |
| Non-linearity: | ≤ ± 0.2 % (of span (Best Fit Straight Line, BFSL) according to IEC 61298-2) |
| Long-term drift/one-year stability: | ≤ ± 0.2 % Of span (at reference conditions) |
| Temperature coefficient in rated temperature range: | Mean TC of span ≤ 0.2 % of span / 10 K, Mean TC of zero: ≤ 0.2 % of span / 10 K (< 0.4 % for pressure ranges ≤ 0.25 bar) |
| Rated temperature range: | 0 °C ... 50 °C |
| Non-repeatability: | ≤ ± 0.1 % of span |

Mechanics/electronics

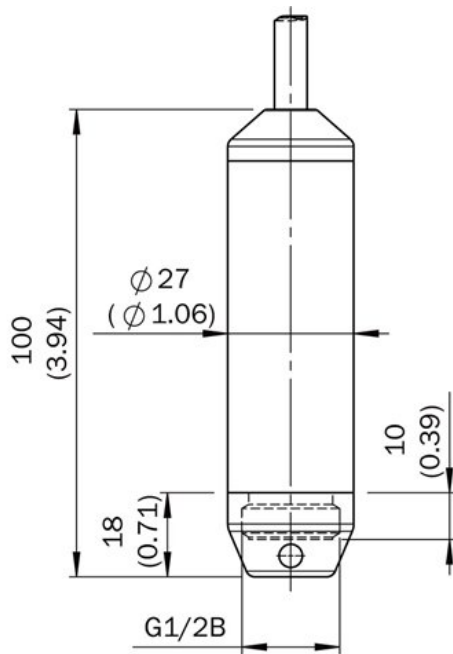
| | |
|-------------------|---|
| Wetted parts: | Pressure connection/ diaphragm: Stainless steel, Housing: Stainless steel, Protection cap: PA |
| Enclosure rating: | IP 68 |
| Connection type: | Cable PUR |
| Supply voltage: | 10 V DC ... 30 V DC |

| | |
|-----------------------|---|
| Electrical safety: | Short-circuit protection: QA towards M, Protection class: III, Surge protection: According to EN 61000-4-5 (1.5 J) optional for enhanced variant, Reverse polarity protection: L+ towards M |
| Dielectric strength: | 500 V DC, NEC Class 02 power supply (low voltage and low current max. 100 VA even under fault conditions) |
| Protection class III: | ✓ |
| Weight sensor: | 0.18 kg |
| Weight cable: | 0.08 kg/m |
| CE-conformity: | EMC directive: 2004/108/EEC, EN 61326-2-3 |

Ambient data

| | |
|----------------------|------------------|
| Storage temperature: | -30 °C ... 80 °C |
|----------------------|------------------|

Dimensional drawing



All dimensions in mm (inch)

Australia

Phone +61 3 9457 0600
1800 334 802 – tollfree
E-Mail sales@sick.com.au

Belgium/Luxembourg

Phone +32 (0)2 466 55 66
E-Mail info@sick.be

Brasil

Phone +55 11 3215-4900
E-Mail sac@sick.com.br

Canada

Phone +1 905 771 14 44
E-Mail information@sick.com

Ceská Republika

Phone +420 2 57 91 18 50
E-Mail sick@sick.cz

China

Phone +86 4000 121 000
E-Mail info.china@sick.net.cn
Phone +852-2153 6300
E-Mail ghk@sick.com.hk

Danmark

Phone +45 45 82 64 00
E-Mail sick@sick.dk

Deutschland

Phone +49 211 5301-301
E-Mail kundenservice@sick.de

España

Phone +34 93 480 31 00
E-Mail info@sick.es

France

Phone +33 1 64 62 35 00
E-Mail info@sick.fr

Great Britain

Phone +44 (0)1727 831121
E-Mail info@sick.co.uk

India

Phone +91-22-4033 8333
E-Mail info@sick-india.com

Israel

Phone +972-4-6801000
E-Mail info@sick-sensors.com

Italia

Phone +39 02 27 43 41
E-Mail info@sick.it

Japan

Phone +81 (0)3 3358 1341
E-Mail support@sick.jp

Magyarország

Phone +36 1 371 2680
E-Mail office@sick.hu

Nederlands

Phone +31 (0)30 229 25 44
E-Mail info@sick.nl

Norge

Phone +47 67 81 50 00
E-Mail austefjord@sick.no

Österreich

Phone +43 (0)22 36 62 28 8-0
E-Mail office@sick.at

Polska

Phone +48 22 837 40 50
E-Mail info@sick.pl

România

Phone +40 356 171 120
E-Mail office@sick.ro

Russia

Phone +7-495-775-05-30
E-Mail info@sick.ru

Schweiz

Phone +41 41 619 29 39
E-Mail contact@sick.ch

Singapore

Phone +65 6744 3732
E-Mail admin@sicksgp.com.sg

Slovenija

Phone +386 (0)1-47 69 990
E-Mail office@sick.si

South Africa

Phone +27 11 472 3733
E-Mail info@sickautomation.co.za

South Korea

Phone +82 2 786 6321/4
E-Mail info@sickkorea.net

Suomi

Phone +358-9-25 15 800
E-Mail sick@sick.fi

Sverige

Phone +46 10 110 10 00
E-Mail info@sick.se

Taiwan

Phone +886-2-2375-6288
E-Mail sales@sick.com.tw

Türkiye

Phone +90 (216) 528 50 00
E-Mail info@sick.com.tr

United Arab Emirates

Phone +971 (0) 4 8865 878
E-Mail info@sick.ae

USA/México

Phone +1(952) 941-6780
1 800-325-7425 – tollfree
E-Mail info@sickusa.com

More representatives and agencies
at www.sick.com