



Absolute encoders A3M60 PROFIBUS

A3M60B-BHPB013X13



Model Name > **A3M60B-BHPB013X13**
Part No. > **1051017**



Illustration may differ

At a glance

- Robust absolute multiturn encoder with up to 31 bits (14 bits singleturn and 17 bits multiturn)
- Face mount flange, servo flange or blind hollow shaft
- Compact design (
- Integrated PROFIBUS interface with DP V0, V1 and V2 functionality (dependent on type)
- Connection system: 3x M12 connectors
- Protection class up to IP67
- Operating temperature: -30 °C to +80 (dependent on type)

Your benefits

- High level of system reliability even in extreme environmental conditions
- Lower maintenance costs due to non-contact single and multiturn magnetic scanning
- Space-saving, cost-efficient design ensures easy integration into applications with limited space
- High level of productivity due to quick communication and position calculation
- Immune to contamination and condensation, making it ideal for harsh environmental conditions
- Very good price-performance ratio



Performance

Max. number of steps per revolution:	8,192
Max. number of revolutions:	8,192
Resolution power:	8,192 x 8,192
Resolution:	13 bit x 13 bit
Error limits:	± 0.5 ° (at room temperature)
Repeatability (Ta not constant):	± 0.25 ° (at room temperature)
Initialization time:	Ca. 1 s

Mechanical data

Mechanical interface:	Blind hollow shaft
Shaft diameter:	15 mm
Mass:	0.28 kg
Start up torque:	1 Ncm (20 °C)
Operating torque:	0.8 Ncm (20 °C)
Bearing lifetime:	3.0 x 10 ⁹ revolutions

Max. angular acceleration:	500,000 rad/s ²
Permissible movement axial static/dynamic:	± 0.5 mm, ± 0.2 mm
Permissible movement radial static/dynamic:	± 0.3 mm, ± 0.1 mm
Shaft material:	Stainless steel
Flange material:	Aluminum
Housing material:	Aluminum

Electrical data

Operating voltage range:	10 V ... 32 V
MTTFd: mean time to dangerous failure:	60 a (EN ISO 13849-1) ¹⁾

¹⁾ This product is a standard product and does not constitute a safety component as defined in the Machinery Directive.

Calculation based on nominal load of components, average ambient temperature 40°C, frequency of use 8760 h/a. All

electronic failures are considered hazardous. For more information, see document no. 8015532.

Interfaces

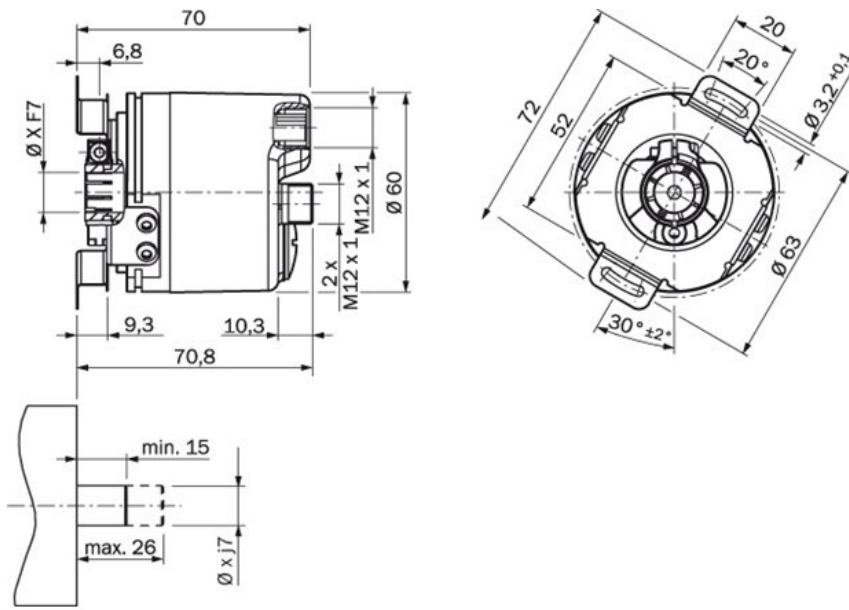
Electrical interface:	3 x M12, 5-pin, axial
Bus:	Profibus DP
Data protocol:	PROFIBUS DP V0, PROFIBUS DP V1 + V2
Data transmission rate (baud rate):	12 MBaud
Bus termination:	DIP switch

Ambient data

EMC:	(according to EN 61000-6-2 and EN 61000-6-3)
Enclosure rating:	IP 65 (according to IEC 60529), Shaft, IP 67 (according to IEC 60529), housing
Permissible relative humidity:	95 % (Condensation not permitted)
Working temperature range:	-10 °C ... 70 °C
Storage temperature range:	-40 °C ... 100 °C
Resistance to shocks:	80 g (according to EN 60068-2-27)
Resistance to vibration:	30 g, 10 Hz ... 2,000 Hz (according to EN 60068-2-6)

¹⁾ With mating connector fitted

Dimensional drawing



Australia

Phone +61 3 9457 0600
1800 334 802 – tollfree
E-Mail sales@sick.com.au

Belgium/Luxembourg

Phone +32 (0)2 466 55 66
E-Mail info@sick.be

Brasil

Phone +55 11 3215-4900
E-Mail sac@sick.com.br

Canada

Phone +1 905 771 14 44
E-Mail information@sick.com

Ceská Republika

Phone +420 2 57 91 18 50
E-Mail sick@sick.cz

China

Phone +86 4000 121 000
E-Mail info.china@sick.net.cn
Phone +852-2153 6300
E-Mail ghk@sick.com.hk

Danmark

Phone +45 45 82 64 00
E-Mail sick@sick.dk

Deutschland

Phone +49 211 5301-301
E-Mail kundenservice@sick.de

España

Phone +34 93 480 31 00
E-Mail info@sick.es

France

Phone +33 1 64 62 35 00
E-Mail info@sick.fr

Great Britain

Phone +44 (0)1727 831121
E-Mail info@sick.co.uk

India

Phone +91-22-4033 8333
E-Mail info@sick-india.com

Israel

Phone +972-4-6801000
E-Mail info@sick-sensors.com

Italia

Phone +39 02 27 43 41
E-Mail info@sick.it

Japan

Phone +81 (0)3 3358 1341
E-Mail support@sick.jp

Magyarország

Phone +36 1 371 2680
E-Mail office@sick.hu

Nederlands

Phone +31 (0)30 229 25 44
E-Mail info@sick.nl

Norge

Phone +47 67 81 50 00
E-Mail austefjord@sick.no

Österreich

Phone +43 (0)22 36 62 28 8-0
E-Mail office@sick.at

Polska

Phone +48 22 837 40 50
E-Mail info@sick.pl

România

Phone +40 356 171 120
E-Mail office@sick.ro

Russia

Phone +7-495-775-05-30
E-Mail info@sick.ru

Schweiz

Phone +41 41 619 29 39
E-Mail contact@sick.ch

Singapore

Phone +65 6744 3732
E-Mail admin@sicksgp.com.sg

Slovenija

Phone +386 (0)1-47 69 990
E-Mail office@sick.si

South Africa

Phone +27 11 472 3733
E-Mail info@sickautomation.co.za

South Korea

Phone +82 2 786 6321/4
E-Mail info@sickkorea.net

Suomi

Phone +358-9-25 15 800
E-Mail sick@sick.fi

Sverige

Phone +46 10 110 10 00
E-Mail info@sick.se

Taiwan

Phone +886-2-2375-6288
E-Mail sales@sick.com.tw

Türkiye

Phone +90 (216) 528 50 00
E-Mail info@sick.com.tr

United Arab Emirates

Phone +971 (0) 4 8865 878
E-Mail info@sick.ae

USA/México

Phone +1(952) 941-6780
1 800-325-7425 – tollfree
E-Mail info@sickusa.com

More representatives and agencies
at www.sick.com