



LOAD FEEDER FUSELESS DIRECT START,
 AC 400V, SZ S00 0.55. . .0.8A,
 AC 230V SPRING-LOADED CONNECTION FOR RAIL-
 MOUNTING,
 TYPE OF COORDINATION 2,
 IQ = 150KA (ALSO FULFILLS TYPE OF COORDINATION 1)
 1NO (CONTACTOR)

Allgemeine technische Daten:

| | | |
|--|----|-----------------------------|
| product brand name | | SIRIUS |
| Product designation | | non-fused load feeders 3RA2 |
| Size of the load feeder | | S00 |
| Number of poles / for main current circuit | | 3 |
| Installation altitude / at a height over sea level / maximum | m | 2,000 |
| Product function | | |
| • short circuit protection | | Yes |
| • overload protection | | Yes |
| • phase disturbance recognition | | Yes |
| Product component | | |
| • trip indicator | | No |
| • auxiliary switch | | No |
| Product extension / auxiliary switch | | Yes |
| Design of display / for switching status | | Switch setting |
| Insulation voltage / with degree of pollution 3 / rated value | V | 690 |
| Impulse voltage resistance / rated value | kV | 6 |
| Protection class IP | | |
| • on the front | | IP20 |
| Protection against electrical shock | | finger-safe |

| | | |
|--|----|-------------------------------|
| Shock resistance / according to IEC 60068-2-27 | | 6g / 11 ms |
| maximum permissible voltage for safe isolation in networks with non-grounded star point | | |
| Ambient temperature | °C | |
| • during transport | | -50 ... +80 |
| • during storage | | -50 ... 80 |
| • during operating | | -20 ... 60 |
| Manufacturer article number | | |
| • of the circuit-breakers included in the scope of supply | | 3RV2011-0HA20 |
| • of the contactor included in the scope of supply | | 3RT2015-2AP01 |
| • of the RS applied assembly kit | | |
| • of the link module included in the scope of supply | | 3RA2911-2AA00 |
| • of the busbar adapter included in the scope of supply | | |
| • of the RH applied assembly kit | | |

Hauptstromkreis:

| | | |
|--|---|------------|
| Operating current / rated value | A | 16 |
| Mechanical operating cycles as operating time / of the auxiliary contacts / typical | | 30,000,000 |
| Derating factor for rated value of the operational current | | |
| Operating voltage / rated value | V | 690 |
| Voltage type / for main circuit | | AC |
| Frequency | | - |
| Service power / at AC-3 | W | |
| • at 400 V / rated value | | 180 |
| • at 500 V rated value | | 180 |
| • at 690 V rated value | | 250 |
| Operating current / at AC-3 / at 400 V / rated value | A | 0.6 |
| Type of assignment | | 2 |

Steuerstromkreis/ Ansteuerung:

| | | |
|--|-----|-----|
| Voltage type / for auxiliary and control circuit | | AC |
| Apparent holding power / of the solenoid / for AC | V·A | 4.2 |

Hilfsstromkreis:

| | | |
|---|--|---|
| Number of NC contacts / for auxiliary contacts | | 0 |
| Number of NO contacts / for auxiliary contacts | | 1 |
| Number of changeover contacts / for auxiliary contacts | | 0 |

Schutz-/Überwachungsfunktion:

| | | |
|---|--|----------------------|
| Design of the overload circuit breaker | | thermal (bimetallic) |
| Trip class | | CLASS 10 |

| | | |
|--|---|--------------|
| Adjustable response current / of the current-dependent overload release | A | 0.55 ... 0.8 |
| Design of the short-circuit trip | | magnetic |
| Conditional short-circuit current (I_q) | | |
| • at 400 V / according to IEC 60947-4-1 / rated value | A | 153,000 |
| • at 500 V / according to IEC 60947-4-1 / rated value | A | 100,000 |
| • at 690 V according to IEC 60947-4-1 rated value | | 100,000 |
| Varification of suitability / ATEX | | Yes |

Sicherheitsrelevante Kenngrößen:

| | | |
|--|---|-----------|
| Proportion of dangerous failures | | |
| • with high demand rate / according to SN 31920 | % | 73 |
| B10 value / with high demand rate / according to SN 31920 | | 1,000,000 |

Einbau/ Befestigung/ Abmessungen:

| | | |
|--|----|--|
| Mounting type | | screw and snap-on mounting onto 35 mm standard mounting rail |
| mounting position | | vertical |
| Depth | mm | 97.1 |
| Height | mm | 197.6 |
| Width | mm | 45 |
| Distance, to be maintained, to the ranks assembly | | |
| • upwards | mm | 20 |
| • forwards | mm | 0 |
| • sideways | | 0 |
| • backwards | | 0 |
| • downwards | | 30 |

Anschlüsse/ Klemmen:

| | | |
|---|--|---|
| Arrangement of electrical connectors / for main current circuit | | from front |
| Design of the electrical connection | | |
| • for main current circuit | | spring-loaded terminals |
| • for auxiliary and control current circuit | | spring-loaded terminals |
| Type of the connectable conductor cross-section for main contacts | | |
| • solid or multi-stranded | | 2x (0,5 ... 4 mm ²) |
| • finely stranded | | |
| • with conductor end processing | | 2x (0.5 ... 1.5 mm ²), 2x (0.75 ... 2.5 mm ²) |
| • without conductor final cutting | | 2x (0.5 ... 2.5 mm ²) |
| Type of the connectable conductor cross-section for auxiliary contacts | | |
| • solid or multi-stranded | | 2x (0,5 ... 4 mm ²) |

| | | |
|---|--|--|
| <ul style="list-style-type: none"> finely stranded with conductor end processing without conductor final cutting | | 2x (0.5 ... 2.5 mm ²) |
| Type of the connectable conductor cross-section / for AWG conductors <ul style="list-style-type: none"> for main contacts for auxiliary contacts | | 2x (20 ... 12) 2x (20 ... 16), 2x (18 ... 14) |
| Design of the thread of the connection screw for main contacts | | |
| Design of the thread of the connection screw of the auxiliary and control pins | | |

UL/CSA Bemessungsdaten:

yielded mechanical performance [hp] / for three-phase squirrel cage motors

- at 460/480 V rated value
- at 575/600 V rated value

Full-load current (FLA) / for 3-phase motor

- at 480 V / rated value

A 0.8

Approbationen/ Zertifikate:

General Product Approval

For use in hazardous locations

Declaration of Conformity



Test Certificates

[Special Test Certificate](#)

[Type Test Certificates/Test Report](#)

Shipping Approval



other

[Declaration of Conformity](#)

[other](#)

[Environmental Confirmations](#)

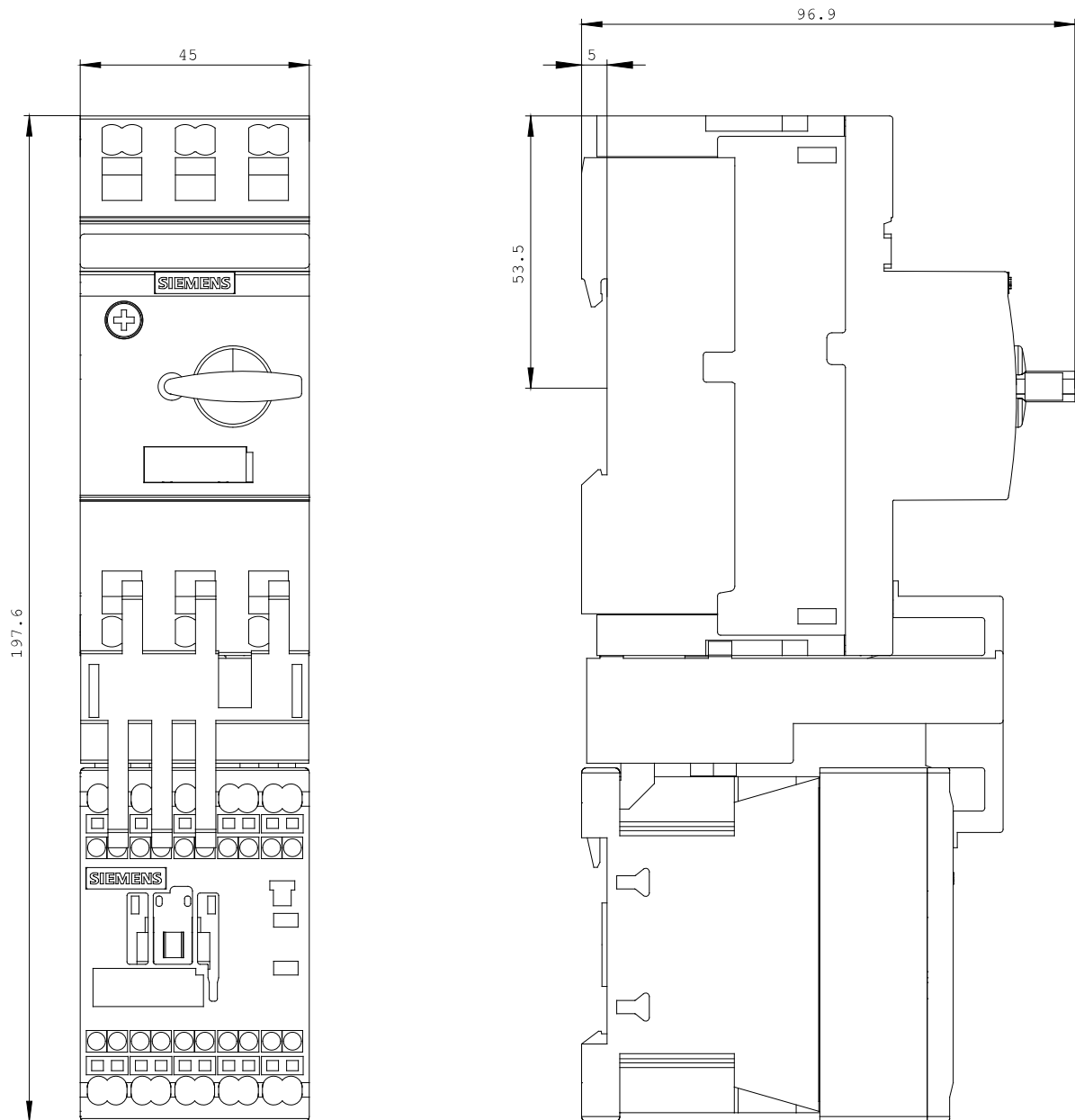
Weitere Informationen:

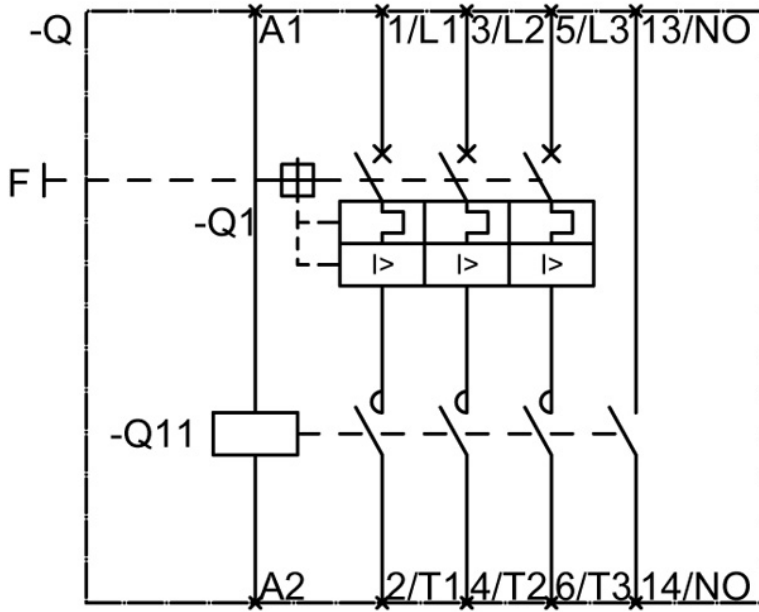
Information- and Downloadcenter (Kataloge, Broschüren,...)

<http://www.siemens.de/industrial-controls/catalogs>

Industry Mall (Online-Bestellsystem)

<http://www.siemens.de/industrial-controls/mall>





letzte Änderung:

Aug 4, 2014