



Incremental encoders DBS36

DBS36E-BBCM02500



Model Name > [DBS36E-BBCM02500](#)
Part No. > [1062682](#)



Illustration may differ

At a glance

- Connection with universal cable outlet
- Versions with blind hollow shaft or face mount flange with solid shaft
- Face mount flange with 3 mounting hole patterns and servo groove
- Hollow shaft with universal stator coupling
- Compact diameter of 37 mm
- Electrical interfaces: TTL/RS-422, HTL/push pull and Open Collector NPN
- Available PPR: 100 to 2,500
- Temperature range: -20 °C ... +85 °C
- Enclosure rating: IP 65

Your benefits

- The universal cable outlet allows use in tight spaces and makes flexible cable routing possible
- Face mount flange with various mounting hole patterns provides flexibility when mounting in new or existing applications
- Face mount flange with servo groove makes mounting with servo clamps possible
- The DBS36E's universal stator coupling ensures easy device replacement without changing the application
- The high flexibility of the encoders' mechanical interface and the available accessories make it possible to use one design in many applications
- Compatibility with the DDS36E series makes it easy to replace this series in existing applications



Performance

| | |
|------------------------|-----------------------------|
| Error limits: | ± 54 ° (/pulses) |
| Measuring step: | 90 ° /electronically/pulses |
| Initialization time: | < 3 ms |
| Pulses per revolution: | 2,500 |

Mechanical data

| | |
|---|-------------------------------|
| Mechanical interface: | Blind hollow shaft |
| Shaft diameter: | 8 mm |
| Mass: | 150 g (with connecting cable) |
| Start up torque: | 0.5 Ncm (20 °C) |
| Operating torque: | 0.4 Ncm (20 °C) |
| Permissible movement axial static/dynamic: | ± 0.5 mm, ± 0.2 mm |
| Permissible movement radial static/dynamic: | ± 0.3 mm, ± 0.1 mm |

| | |
|---------------------------------|---------------------------------|
| Maximum operating speed: | 8,000 U/min ¹⁾ |
| Moment of inertia of the rotor: | 0.8 gcm ² |
| Bearing lifetime: | 2 x 10 ⁹ revolutions |
| Max. angular acceleration: | 500,000 rad/s ² |
| Operating speed: | 6,000 /min ²⁾ |

¹⁾ No permanent operation. Decreasing signal quality. ²⁾ Self-warming 4.7 K per 1,000 1/min

Electrical data

| | |
|--|---|
| Electrical interface: | 7 V ... 30 V, TTL/RS422, Cable, 8-pin, universal, 5 m |
| Connection type: | Cable, 8-pin, universal, 5 m |
| Maximum output frequency: | 300 kHz |
| Reference signal, number: | 1 |
| Reference signal, position: | 90 °, electronically, gated with A and B |
| Operating voltage range: | 7 V ... 30 V |
| Load current max.: | 30 mA |
| Power consumption: | < 0.5 W |
| MTTFd: mean time to dangerous failure: | 600 a (EN ISO 13849-1) ¹⁾ |

¹⁾ This product is a standard product and does not constitute a safety component as defined in the Machinery Directive.

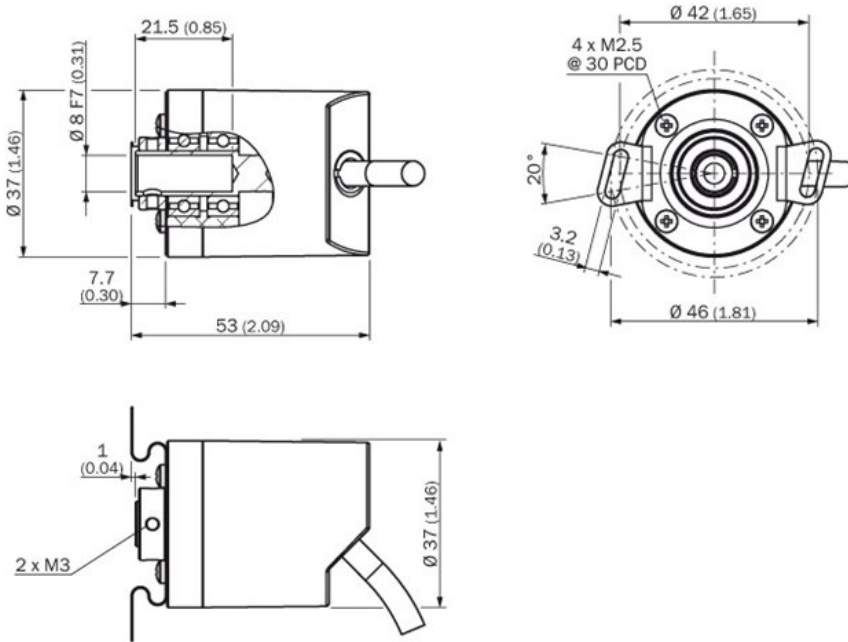
Calculation based on nominal load of components, average ambient temperature 40°C, frequency of use 8760 h/a. All

electronic failures are considered hazardous. For more information, see document no. 8015532.

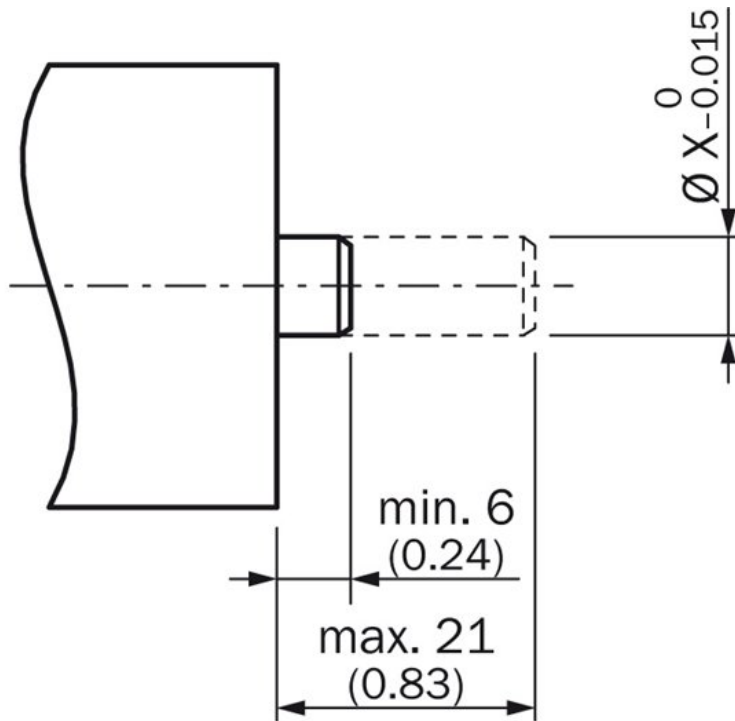
Ambient data

| | |
|--------------------------------|---|
| EMC: | (according to EN 61000-6-2 and EN 61000-6-4 (class A)) |
| Working temperature range: | -20 °C ... 85 °C |
| Storage temperature range: | -40 °C ... 100 °C, without package |
| Resistance to shocks: | 100 g (EN 60068-2-27) |
| Resistance to vibration: | 20 g, 10 Hz ... 2,000 Hz (EN 60068-2-6) |
| Enclosure rating: | IP 65 |
| Permissible relative humidity: | 90 % (condensation of the optical scanning not permitted) |

Dimensional drawing

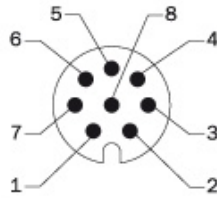


Proposed fitting

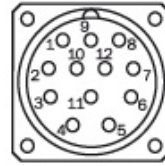


8-core cable

View of M12 device connector on cable



View of M12 device connector on cable



| Colour of wires | Pin 12-pole in M12 | Pin 12-pole in M23 | Signal OC | Signal TTL; HTL | Explanation |
|-----------------|--------------------|--------------------|---------------|-----------------|--|
| Brown | 1 | 6 | Not connected | A- | Signal line |
| White | 2 | 5 | A | A | Signal line |
| Black | 3 | 1 | Not connected | B- | Signal line |
| Pink | 4 | 8 | B | B | Signal line |
| Yellow | 5 | 4 | Not connected | Z- | Signal line |
| Lilac | 6 | 3 | Z | Z | Signal line |
| Blue | 7 | 10 | GND | GND | Ground connection of the Encoder |
| Red | 8 | 12 | +Us | +Us | Supply voltage |
| - | - | 9 | Not connected | Not connected | Not connected |
| - | - | 2 | Not connected | Not connected | Not connected |
| - | - | 11 | Not connected | Not connected | Not connected |
| - | - | 7 | Not connected | Not connected | Not connected |
| Screen | Screen | Screen | Screen | Screen | Screen (Screen connected to Encoder housing) |

Type code

Mechanical design

B Blind hollow shaft, Ø 8 mm

Electrical interface

A 4,5 ... 5,5 V, TTL/RS-422, 6 Channel

C 7 ... 30 V, TTL/RS-422, 6 Channel

E 7 ... 30 V, HTL/push pull, 6 Channel

P 4,5 ... 5,5 V, Open Collector, 3 Channel

Connection type

J 8-core cable, universal 0,5 m

K 8-core cable, universal 1,5 m

L 8-core cable, universal 3 m

P 8-core cable, universal 0,5 m, with M12 plug

Resolution

00100 ... 02500 Pulses per revolution possible. Pulses see "Pulses per revolution"



Australia

Phone +61 3 9457 0600
1800 334 802 – tollfree
E-Mail sales@sick.com.au

Belgium/Luxembourg

Phone +32 (0)2 466 55 66
E-Mail info@sick.be

Brasil

Phone +55 11 3215-4900
E-Mail sac@sick.com.br

Canada

Phone +1 905 771 14 44
E-Mail information@sick.com

Ceská Republika

Phone +420 2 57 91 18 50
E-Mail sick@sick.cz

China

Phone +86 4000 121 000
E-Mail info.china@sick.net.cn
Phone +852-2153 6300
E-Mail ghk@sick.com.hk

Danmark

Phone +45 45 82 64 00
E-Mail sick@sick.dk

Deutschland

Phone +49 211 5301-301
E-Mail kundenservice@sick.de

España

Phone +34 93 480 31 00
E-Mail info@sick.es

France

Phone +33 1 64 62 35 00
E-Mail info@sick.fr

Great Britain

Phone +44 (0)1727 831121
E-Mail info@sick.co.uk

India

Phone +91-22-4033 8333
E-Mail info@sick-india.com

Israel

Phone +972-4-6801000
E-Mail info@sick-sensors.com

Italia

Phone +39 02 27 43 41
E-Mail info@sick.it

Japan

Phone +81 (0)3 3358 1341
E-Mail support@sick.jp

Magyarország

Phone +36 1 371 2680
E-Mail office@sick.hu

Nederlands

Phone +31 (0)30 229 25 44
E-Mail info@sick.nl

Norge

Phone +47 67 81 50 00
E-Mail austefjord@sick.no

Österreich

Phone +43 (0)22 36 62 28 8-0
E-Mail office@sick.at

Polska

Phone +48 22 837 40 50
E-Mail info@sick.pl

România

Phone +40 356 171 120
E-Mail office@sick.ro

Russia

Phone +7-495-775-05-30
E-Mail info@sick.ru

Schweiz

Phone +41 41 619 29 39
E-Mail contact@sick.ch

Singapore

Phone +65 6744 3732
E-Mail admin@sicksgp.com.sg

Slovenija

Phone +386 (0)1-47 69 990
E-Mail office@sick.si

South Africa

Phone +27 11 472 3733
E-Mail info@sickautomation.co.za

South Korea

Phone +82 2 786 6321/4
E-Mail info@sickkorea.net

Suomi

Phone +358-9-25 15 800
E-Mail sick@sick.fi

Sverige

Phone +46 10 110 10 00
E-Mail info@sick.se

Taiwan

Phone +886-2-2375-6288
E-Mail sales@sick.com.tw

Türkiye

Phone +90 (216) 528 50 00
E-Mail info@sick.com.tr

United Arab Emirates

Phone +971 (0) 4 8865 878
E-Mail info@sick.ae

USA/México

Phone +1(952) 941-6780
1 800-325-7425 – tollfree
E-Mail info@sickusa.com

More representatives and agencies
at www.sick.com