

FUSELESS LOAD FEEDER REVERSING OPERATION,
 400 V AC, SZ S00, 0.55 TO 0.80 A,
 1.5 KW,
 24 V DC SCREW TERMINAL ON MOUNTING RAIL
 ADAPTER TYPE OF COORDINATION 1,
 IQ = 50K A

Allgemeine technische Daten:

product brand name		SIRIUS
Product designation		non-fused load feeders 3RA2
Size of the load feeder		S00
Number of poles / for main current circuit		3
Installation altitude / at a height over sea level / maximum	m	2,000
Product function		
• short circuit protection		Yes
• overload protection		Yes
• phase disturbance recognition		Yes
Product component		
• trip indicator		No
• auxiliary switch		No
Product extension / auxiliary switch		Yes
Design of display / for switching status		Switch setting
Insulation voltage / with degree of pollution 3 / rated value	V	690
Impulse voltage resistance / rated value	kV	6
Protection class IP		
• on the front		IP20
Protection against electrical shock		finger-safe
Shock resistance / according to IEC 60068-2-27		6g / 11 ms
maximum permissible voltage for safe isolation in networks with non-grounded star point		
Ambient temperature		
• during transport	°C	-50 ... +80
• during storage		-50 ... 80
• during operating		-20 ... 60
Manufacturer article number		
• of the circuit-breakers included in the scope of supply		3RV2011-0HA20
• of the contactor included in the scope of supply		3RF3403-BD04

- of the RS applied assembly kit
- of the link module included in the scope of supply
- of the busbar adapter included in the scope of supply
- of the RH applied assembly kit

[8US1250-5AT10](#)

[3RA2911-2AA00](#)

[8US1251-5DT11](#)

Hauptstromkreis:

Operating current / rated value	A	16
Mechanical operating cycles as operating time / of the auxiliary contacts / typical		30,000,000
Derating factor for rated value of the operational current		
Operating voltage / rated value	V	690
Voltage type / for main circuit		AC
Frequency		-
Service power / at AC-3	W	
• at 400 V / rated value		180
• at 500 V rated value		180
• at 690 V rated value		250
Operating current / at AC-3 / at 400 V / rated value	A	0.6
Type of assignement		2

Steuerstromkreis/ Ansteuerung:

Voltage type / for auxiliary and control circuit		DC
Holding power / of the solenoid / for DC	W	4

Hilfsstromkreis:

Number of NC contacts / for auxiliary contacts		1
Number of NO contacts / for auxiliary contacts		1
Number of changeover contacts / for auxiliary contacts		0

Schutz-/Überwachungsfunktion:

Design of the overload circuit breaker		thermal (bimetallic)
Trip class		CLASS 10
Adjustable response current / of the current-dependent overload release	A	0.55 ... 0.8
Design of the short-circuit trip		magnetic
Conditional short-circuit current (I_q)	A	
• at 400 V / according to IEC 60947-4-1 / rated value		153,000
• at 690 V according to IEC 60947-4-1 rated value		-
Varification of suitability / ATEX		Yes

Sicherheitsrelevante Kenngrößen:

Proportion of dangerous failures		
---	--	--

• with high demand rate / according to SN 31920	%	73
B10 value / with high demand rate / according to SN 31920		1,000,000

Einbau/ Befestigung/ Abmessungen:

Mounting type		for snapping onto 60 mm busbar systems
mounting position		vertical
Depth	mm	155.1
Height	mm	204
Width	mm	90
Distance, to be maintained, to the ranks assembly		
• upwards	mm	20
• forwards	mm	0
• sideways		0
• backwards		0
• downwards		30

Anschlüsse/ Klemmen:

Arrangement of electrical connectors / for main current circuit		from front
Design of the electrical connection		
• for main current circuit		spring-loaded terminals
• for auxiliary and control current circuit		spring-loaded terminals
Type of the connectable conductor cross-section for main contacts		
• solid or multi-stranded		2x (0,5 ... 4 mm ²)
• finely stranded		
• with conductor end processing		2x (0.5 ... 1.5 mm ²), 2x (0.75 ... 2.5 mm ²)
• without conductor final cutting		2x (0.5 ... 2.5 mm ²)
Type of connectable conductor cross-sections for auxiliary contacts		
• solid or multi-stranded		2x (0,5 ... 4 mm ²)
• finely stranded		
• with conductor end processing		2x (0.5 ... 2.5 mm ²)
• without conductor final cutting		2x (0.5 ... 2.5 mm ²)
Type of the connectable conductor cross-section / for AWG conductors		
• for main contacts		2x (20 ... 12)
• for auxiliary contacts		2x (20 ... 16), 2x (18 ... 14)
Design of the thread of the connection screw for main contacts		
Design of the thread of the connection screw of the auxiliary and control pins		

UL/CSA Bemessungsdaten:

yielded mechanical performance [hp] / for three-phase squirrel cage motors

- at 460/480 V rated value
- at 575/600 V rated value

Full-load current (FLA) / for 3-phase motor

- at 480 V / rated value

A

0.8

Approbationen/ Zertifikate:

General Product Approval

For use in hazardous locations

Declaration of Conformity

other



[other](#)

[Environmental Confirmations](#)

Weitere Informationen:

Information- and Downloadcenter (Kataloge, Broschüren,...)

<http://www.siemens.de/industrial-controls/catalogs>

Industry Mall (Online-Bestellsystem)

<http://www.siemens.de/industrial-controls/mall>

CAX-Online-Generator

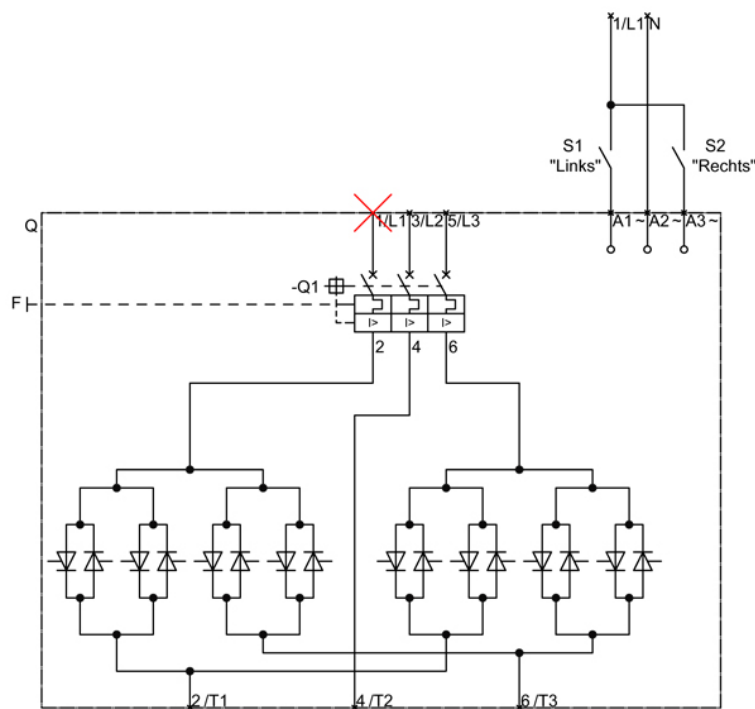
<http://www.siemens.com/cax>

Service&Support (Handbücher, Betriebsanleitungen, Zertifikate, Kennlinien, FAQs,...)

<http://support.automation.siemens.com/WW/view/de/3RA2210-0HH03-0SB4/all>

Bilddatenbank (Produktfotos, 2D-Maßzeichnungen, 3D-Modelle, Geräteschaltpläne, ...)

http://www.automation.siemens.com/bilddb/cax_de.aspx?mlfb=3RA2210-0HH03-0SB4



letzte Änderung:

Jul 28, 2014