



Wire draw encoders HighLine

BTF13-C1HM3025



Model Name > **BTF13-C1HM3025**
Part No. > **1034321**



Illustration may differ

At a glance

- Absolute wire draw encoders
- Modular measuring system with a wide selection of interfaces/measuring lengths
- Measuring lengths: 2 m ... 50 m
- Very rugged system (dirt wiper, integrated brushes), highly shock and vibration resistant
- High-quality winding mechanism and wire input
- Interfaces: - ANALOG, SSI, PROFIBUS, CANopen, DeviceNet, HIPERFACE®
- High enclosure rating
- High resolution possible

Your benefits

- Reliable solution in harsh environments
- Long service life due to rugged industrial housing
- Quick and easy installation without the need for precise linear guidance
- Low integration and maintenance costs
- Customization option reduces storage costs
- No reference run necessary thanks to the absolute measuring principle
- Teach-in function enables fast commissioning



Performance

Measuring range:	0 m ... 30 m
Repeatability:	± 0.1 % ¹⁾
Linearity:	± 0.1 % ²⁾
Hysteresis:	± 0.05 % ³⁾
Resolution:	0.04 mm

1) 2) 3) Value refers to wire draw mechanism

Mechanical data

Mass (including encoder):	6.79 kg
Mass (mechanics):	6.2 kg
Measuring wire diameter:	0.81 mm
Housing material, wire draw mechanism:	Aluminum (anodised), plastic
Drum extent:	332.4 mm
Spring return force:	10 N ... 20 N ¹⁾
Life of wire draw mechanism:	1 million cycles

Actual length of cable extension:	30.2 m
Wire acceleration:	15 m/s ²
Operating speed:	4 m/s
Mounted encoder:	ATM60 CANopen
Mounted mechanic:	MRA-F130-130D1
Part number mechanic:	6028629
Part number encoder:	1030025

¹⁾ These values were measured at an ambient temperature of 25 °C. There may be variations at other temperatures.

Electrical data

Initialization time:	Ca. 12 s ¹⁾
MTTFd: mean time to dangerous failure::	150 a ^{2) 3)}

¹⁾ Valid positional data can be read once this time has elapsed. ²⁾ This product is a standard product and does not constitute a safety component as defined in the Machinery Directive.

Calculation based on nominal load of components, average ambient

temperature 40°C, frequency of use 8760 h/a. All

electronic failures are considered hazardous. For more information, see document no. 8015532. ³⁾ The value applies to the mounted encoder

Interfaces

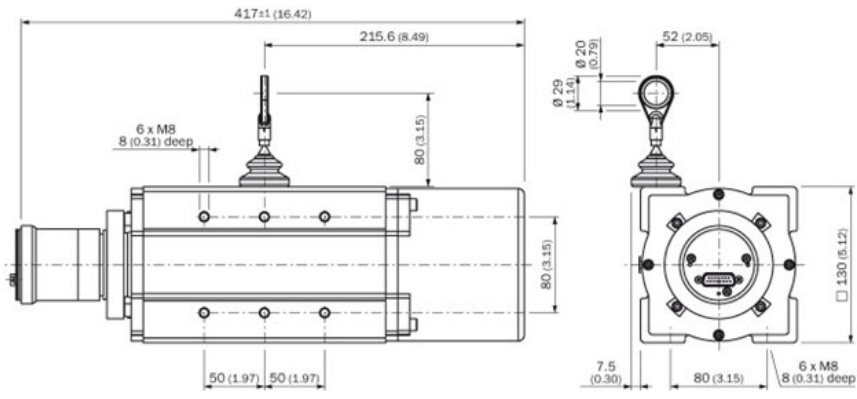
Electrical interface:	CANopen®
Connection type:	Bus adaptor with cable screw fixings or connector, radial ¹⁾
Address setting:	0 ... 63, DIP-switches or protocol
Protocol:	Communication Profile DS 301 V4.0
Bus termination:	Via DIP switches
SET (electronic adjustment):	Via PRESET push button or protocol
Encoder profile:	Device Profile DSP 406 V 2.0

¹⁾ Please order the bus adaptor separately

Ambient data

EMC:	(according to EN 61000-6-2 and EN 61000-6-3)
Enclosure rating encoder:	IP 67
Enclosure rating mechanic:	IP 50
Resistance to shocks:	100 g, 6 ms (according to EN 60068-2-27)
Resistance to vibration:	20 g, 10 Hz ... 2,000 Hz (according to EN 60068-2-6)
Working temperature range:	-20 °C ... 70 °C
Relative humidity/Condensation:	98 % (condensation of the optical scanning not permitted)

Dimensional drawing



Australia

Phone +61 3 9457 0600
1800 334 802 – tollfree
E-Mail sales@sick.com.au

Belgium/Luxembourg

Phone +32 (0)2 466 55 66
E-Mail info@sick.be

Brasil

Phone +55 11 3215-4900
E-Mail sac@sick.com.br

Canada

Phone +1 905 771 14 44
E-Mail information@sick.com

Ceská Republika

Phone +420 2 57 91 18 50
E-Mail sick@sick.cz

China

Phone +86 4000 121 000
E-Mail info.china@sick.net.cn
Phone +852-2153 6300
E-Mail ghk@sick.com.hk

Danmark

Phone +45 45 82 64 00
E-Mail sick@sick.dk

Deutschland

Phone +49 211 5301-301
E-Mail kundenservice@sick.de

España

Phone +34 93 480 31 00
E-Mail info@sick.es

France

Phone +33 1 64 62 35 00
E-Mail info@sick.fr

Great Britain

Phone +44 (0)1727 831121
E-Mail info@sick.co.uk

India

Phone +91-22-4033 8333
E-Mail info@sick-india.com

Israel

Phone +972-4-6801000
E-Mail info@sick-sensors.com

Italia

Phone +39 02 27 43 41
E-Mail info@sick.it

Japan

Phone +81 (0)3 3358 1341
E-Mail support@sick.jp

Magyarország

Phone +36 1 371 2680
E-Mail office@sick.hu

Nederlands

Phone +31 (0)30 229 25 44
E-Mail info@sick.nl

Norge

Phone +47 67 81 50 00
E-Mail austefjord@sick.no

Österreich

Phone +43 (0)22 36 62 28 8-0
E-Mail office@sick.at

Polska

Phone +48 22 837 40 50
E-Mail info@sick.pl

România

Phone +40 356 171 120
E-Mail office@sick.ro

Russia

Phone +7-495-775-05-30
E-Mail info@sick.ru

Schweiz

Phone +41 41 619 29 39
E-Mail contact@sick.ch

Singapore

Phone +65 6744 3732
E-Mail admin@sicksgp.com.sg

Slovenija

Phone +386 (0)1-47 69 990
E-Mail office@sick.si

South Africa

Phone +27 11 472 3733
E-Mail info@sickautomation.co.za

South Korea

Phone +82 2 786 6321/4
E-Mail info@sickkorea.net

Suomi

Phone +358-9-25 15 800
E-Mail sick@sick.fi

Sverige

Phone +46 10 110 10 00
E-Mail info@sick.se

Taiwan

Phone +886-2-2375-6288
E-Mail sales@sick.com.tw

Türkiye

Phone +90 (216) 528 50 00
E-Mail info@sick.com.tr

United Arab Emirates

Phone +971 (0) 4 8865 878
E-Mail info@sick.ae

USA/México

Phone +1(952) 941-6780
1 800-325-7425 – tollfree
E-Mail info@sickusa.com

More representatives and agencies
at www.sick.com