



Linear encoders
Lincoder L230

L230-P580A7S00000



Model Name > L230-P580A7S00000
Part No. > 1033534



Illustration may differ

At a glance

- Non-contact length measurement
- wear-, maintenance-free
- Determination of absolute position
- Measuring lengths of up to 40 m possible
- High level of accuracy and high resolution
- High travel speeds of up to 6 m/s

Your benefits

- After installation, the system is immediately available and completely maintenance-free, which leads to time and cost savings.
- High level of accuracy and high resolution enable very precise measurements
- Suitable for high travel speeds, which increases productivity



Features

System part: Read head

Technical necessary constant;

Performance

Measuring length: 40 m
Measuring range: 0 m ... 8.35 m
Magnetic strip length: Measurement length + 130 mm
Resolution: 1 µm
Piston speed: 6.6 m/s ¹⁾
Measurement accuracy: Typ. +/- 0.3 mm/m at 20 °C
Repeatability: ± 10 µm

¹⁾ When exceeding the maximum travel speed limit or when leaving the surface of the measuring element the corresponding error message is produced: 7F FF FF hex

Mechanical data

Connection type: Connector, M23, 12-pin
Mass: 0.685 kg
Material: AlMgSiPbF28

Electrical data

Initialization time:	3,500 s
Position forming time:	750 μ s
Supply voltage:	10 V ... 32 V
Power consumption:	4.8 W

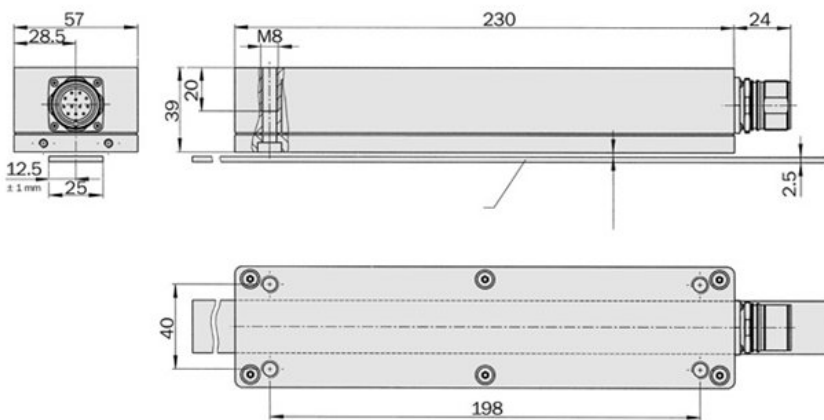
Interfaces

Electrical interface:	10 V ... 32 V, SSI
-----------------------	--------------------

Ambient data

Coefficient of thermal expansion:	16 μ m/ $^{\circ}$ C/m
-----------------------------------	----------------------------

Dimensional drawing



Australia

Phone +61 3 9457 0600
1800 334 802 – tollfree
E-Mail sales@sick.com.au

Belgium/Luxembourg

Phone +32 (0)2 466 55 66
E-Mail info@sick.be

Brasil

Phone +55 11 3215-4900
E-Mail sac@sick.com.br

Canada

Phone +1 905 771 14 44
E-Mail information@sick.com

Ceská Republika

Phone +420 2 57 91 18 50
E-Mail sick@sick.cz

China

Phone +86 4000 121 000
E-Mail info.china@sick.net.cn
Phone +852-2153 6300
E-Mail ghk@sick.com.hk

Danmark

Phone +45 45 82 64 00
E-Mail sick@sick.dk

Deutschland

Phone +49 211 5301-301
E-Mail kundenservice@sick.de

España

Phone +34 93 480 31 00
E-Mail info@sick.es

France

Phone +33 1 64 62 35 00
E-Mail info@sick.fr

Great Britain

Phone +44 (0)1727 831121
E-Mail info@sick.co.uk

India

Phone +91-22-4033 8333
E-Mail info@sick-india.com

Israel

Phone +972-4-6801000
E-Mail info@sick-sensors.com

Italia

Phone +39 02 27 43 41
E-Mail info@sick.it

Japan

Phone +81 (0)3 3358 1341
E-Mail support@sick.jp

Magyarország

Phone +36 1 371 2680
E-Mail office@sick.hu

Nederlands

Phone +31 (0)30 229 25 44
E-Mail info@sick.nl

Norge

Phone +47 67 81 50 00
E-Mail austefjord@sick.no

Österreich

Phone +43 (0)22 36 62 28 8-0
E-Mail office@sick.at

Polska

Phone +48 22 837 40 50
E-Mail info@sick.pl

România

Phone +40 356 171 120
E-Mail office@sick.ro

Russia

Phone +7-495-775-05-30
E-Mail info@sick.ru

Schweiz

Phone +41 41 619 29 39
E-Mail contact@sick.ch

Singapore

Phone +65 6744 3732
E-Mail admin@sicksgp.com.sg

Slovenija

Phone +386 (0)1-47 69 990
E-Mail office@sick.si

South Africa

Phone +27 11 472 3733
E-Mail info@sickautomation.co.za

South Korea

Phone +82 2 786 6321/4
E-Mail info@sickkorea.net

Suomi

Phone +358-9-25 15 800
E-Mail sick@sick.fi

Sverige

Phone +46 10 110 10 00
E-Mail info@sick.se

Taiwan

Phone +886-2-2375-6288
E-Mail sales@sick.com.tw

Türkiye

Phone +90 (216) 528 50 00
E-Mail info@sick.com.tr

United Arab Emirates

Phone +971 (0) 4 8865 878
E-Mail info@sick.ae

USA/México

Phone +1(952) 941-6780
1 800-325-7425 – tollfree
E-Mail info@sickusa.com

More representatives and agencies
at www.sick.com