



SOLID-STATE TIME RELAY ON-DELAY WITH SEMICONDUCTOR OUTPUT 24...240V AC/DC, TIME RANGE 0.05...100S, FOR SNAPPING ONTO THE FRONT, FOR 3RT2 CONTACTORS S00/S0 SCREW TERMINALS INTEGRATED VARISTOR FOR DAMPING CONTACTOR COILS

General technical data:		
product brand name		SIRIUS
Product designation		timing relay
Design of the product		slow-operating
Protection class IP / on the front		IP20
Protection class IP / of the terminal		IP20
Degree of pollution		3
Insulation voltage / with degree of pollution 3		
• rated value	V	300
Installation altitude / at a height over sea level / maximum	m	2,000
Ambient temperature		
• during storage	°C	-40 ... +85
• during operating	°C	-25 ... +60
• during transport	°C	-40 ... +85
EMC immunity to interference		
• according to IEC 60947-1		ambience A (industrial sector)
EMC emitted interference		
• according to IEC 60947-1		CISPR11, ambience A (industrial sector)
Conductor-bound parasitic coupling BURST		
• according to IEC 61000-4-4		2 kV network connection / 1 kV control connection

Conductor-bound parasitic coupling conductor-earth SURGE • according to IEC 61000-4-5		2 kV
Conductor-bound parasitic coupling conductor-conductor SURGE • according to IEC 61000-4-5		1 kV
Electrostatic discharge • according to IEC 61000-4-2		8 kV
Field-bound parasitic coupling • according to IEC 61000-4-3		10 V/m
Resistance against shock		15g / 11 ms
Resistance against vibration		10 ... 55 Hz / 0.35 mm
Impulse voltage resistance / rated value	kV	4
Reference code • according to DIN 40719 extended according to IEC 204-2 / according to IEC 750 • according to DIN EN 61346-2		K K
Adjustable time	s	0.05 ... 100
Switching function • slow-operating • relapse delayed • with control signal • OFF delay • without control signal / OFF delay • with control signal / pulse-shaping		Yes No No No No
Product component / semi-conductor output		Yes
Product extension • optional / remote control • strictly required / remote control		No No
Product function • star-delta circuit		No

Control circuit/ Control:

Design of the surge suppressor		with varistor
Supply voltage / strictly required • auxiliary voltage		No
Voltage type • of control feed voltage		AC/DC
Control supply voltage frequency / 1	Hz	50 ... 60
Control supply voltage / 1 • for DC • at 50 Hz / for AC	V V	24 ... 240 24 ... 240

<ul style="list-style-type: none"> at 60 Hz / for AC 	V	24 ... 240
Operating range factor control supply voltage rated value <ul style="list-style-type: none"> of the solenoid 		0.85 ... 1.1

Installation/ mounting/ dimensions:

Mounting type		clip-on
Width	mm	45
Height	mm	38
Depth	mm	74
Distance, to be maintained, to the ranks assembly		
<ul style="list-style-type: none"> upwards 	mm	0
<ul style="list-style-type: none"> downwards 	mm	0
<ul style="list-style-type: none"> forwards 	mm	0
<ul style="list-style-type: none"> backwards 	mm	0
<ul style="list-style-type: none"> sideways 	mm	0
Distance, to be maintained, to earthed part		
<ul style="list-style-type: none"> upwards 	mm	0
<ul style="list-style-type: none"> downwards 	mm	0
<ul style="list-style-type: none"> forwards 	mm	0
<ul style="list-style-type: none"> backwards 	mm	0
<ul style="list-style-type: none"> sideways 	mm	0
Distance, to be maintained, conductive elements		
<ul style="list-style-type: none"> upwards 	mm	0
<ul style="list-style-type: none"> downwards 	mm	0
<ul style="list-style-type: none"> forwards 	mm	0
<ul style="list-style-type: none"> backwards 	mm	0
<ul style="list-style-type: none"> sideways 	mm	0

Connections/ terminals:

Design of the electrical connection		
<ul style="list-style-type: none"> for auxiliary and control current circuit 		screw-type terminals
Product function		
<ul style="list-style-type: none"> removable terminal for auxiliary and control circuit 		Yes
Type of the connectable conductor cross-section		
<ul style="list-style-type: none"> for auxiliary contacts <ul style="list-style-type: none"> solid finely stranded <ul style="list-style-type: none"> with conductor end processing for AWG conductors / for auxiliary contacts 		0.5 ... 4 mm ² , 2x (0.5 ... 2.5 mm ²) 1x (0.5 ... 2.5 mm ²), 2x (0.5 ... 1.5 mm ²) 2x (20 ... 14)

Certificates/ approvals:

Verification of suitability

- EC declaration of conformity
- CSA-approval
- UL-registration

CE / UL / CSA

Yes

Yes

Yes

General Product Approval



Test Certificates

[Special Test Certificate](#)

[Type Test Certificates/Test Report](#)

Shipping Approval



other

[Declaration of Conformity](#)

[other](#)

[Environmental Confirmations](#)

Further information:

Information- and Downloadcenter (Catalogs, Brochures,...)

<http://www.siemens.com/industrial-controls/catalogs>

Industry Mall (Online ordering system)

<http://www.siemens.com/industrial-controls/mall>

Cax online generator

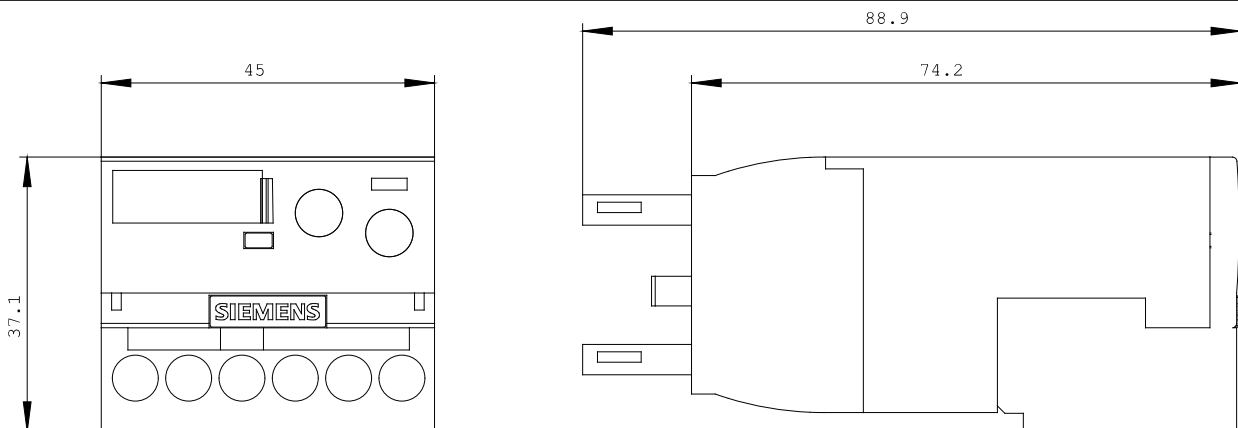
<http://www.siemens.com/cax>

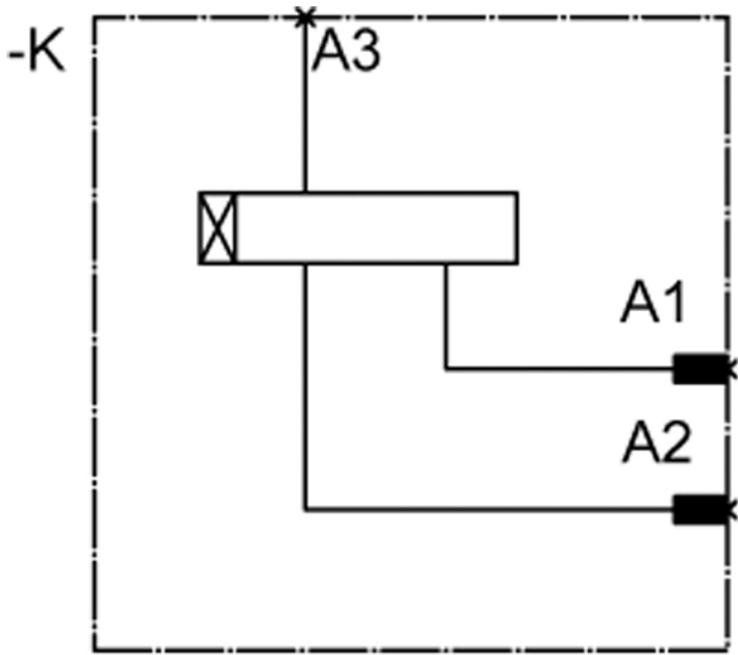
Service&Support (Manuals, Certificates, Characteristics, FAQs,...)

<http://support.automation.siemens.com/WW/view/en/3RA2811-1CW10/all>

Image database (product images, 2D dimension drawings, 3D models, device circuit diagrams, ...)

http://www.automation.siemens.com/bilddb/cax_en.aspx?mlfb=3RA2811-1CW10





last change:

Jun 16,
2014