



## Safety controllers Flexi Classic Gateways

UE410-DEV4



**Model Name** > [UE410-DEV4](#)  
**Part No.** > [6032679](#)



**At a glance**

- Gateway collects all information of the system
- The supervisor PLC can read out of the gateway and/or the gateway can write into a PLC by itself
- Addition of 1 gateway to the Flexi Classic system
- Small width of 22.5 mm

**Your benefits**

- Reduced downtime due to quick and easy diagnostics
- Support for all major fieldbus protocols
- All information at a glance



**Functions**

Safe device communication via EFI/SDL: -

**Electrical data**

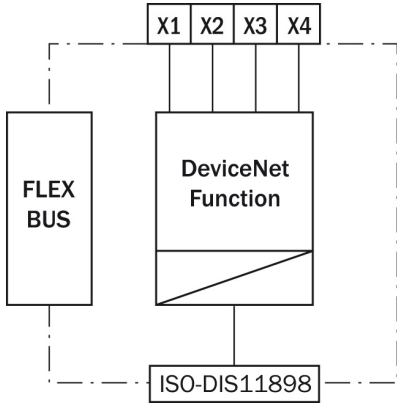
Supply voltage: 24 V DC (19.2 V DC ... 30 V DC)  
Power consumption: 2.4 W  
Protection class: EN 61140

**Ambient data**

Enclosure rating terminals: IP 20  
Protection class housing: IP 40  
Ambient operating temperature: -25 °C ... 55 °C  
Storage temperature: -25 °C ... 70 °C  
Air humidity: 15 % ... 95 %, non-condensing  
Climate conditions according to: EN 61131-2  
Electromagnetic compatibility (EMC): EN 61000  
EN 55011  
Vibration resistance: 5 g, 5 Hz ... 500 Hz (EN 60068-2-6)  
Connection type: Cable gland  
Connection type: Plug-in spring terminals  
Dimensions (W x H x D): 22.5 mm x 96.5 mm x 120.8 mm  
Weight: 160 g

**Connection diagram**

---



**Australia**

Phone +61 3 9457 0600  
1800 334 802 – tollfree  
E-Mail sales@sick.com.au

**Belgium/Luxembourg**

Phone +32 (0)2 466 55 66  
E-Mail info@sick.be

**Brasil**

Phone +55 11 3215-4900  
E-Mail sac@sick.com.br

**Canada**

Phone +1 905 771 14 44  
E-Mail information@sick.com

**Ceská Republika**

Phone +420 2 57 91 18 50  
E-Mail sick@sick.cz

**China**

Phone +86 4000 121 000  
E-Mail info.china@sick.net.cn  
Phone +852-2153 6300  
E-Mail ghk@sick.com.hk

**Danmark**

Phone +45 45 82 64 00  
E-Mail sick@sick.dk

**Deutschland**

Phone +49 211 5301-301  
E-Mail kundenservice@sick.de

**España**

Phone +34 93 480 31 00  
E-Mail info@sick.es

**France**

Phone +33 1 64 62 35 00  
E-Mail info@sick.fr

**Great Britain**

Phone +44 (0)1727 831121  
E-Mail info@sick.co.uk

**India**

Phone +91-22-4033 8333  
E-Mail info@sick-india.com

**Israel**

Phone +972-4-6801000  
E-Mail info@sick-sensors.com

**Italia**

Phone +39 02 27 43 41  
E-Mail info@sick.it

**Japan**

Phone +81 (0)3 3358 1341  
E-Mail support@sick.jp

**Magyarország**

Phone +36 1 371 2680  
E-Mail office@sick.hu

**Nederlands**

Phone +31 (0)30 229 25 44  
E-Mail info@sick.nl

**Norge**

Phone +47 67 81 50 00  
E-Mail austefjord@sick.no

**Österreich**

Phone +43 (0)22 36 62 28 8-0  
E-Mail office@sick.at

**Polska**

Phone +48 22 837 40 50  
E-Mail info@sick.pl

**România**

Phone +40 356 171 120  
E-Mail office@sick.ro

**Russia**

Phone +7-495-775-05-30  
E-Mail info@sick.ru

**Schweiz**

Phone +41 41 619 29 39  
E-Mail contact@sick.ch

**Singapore**

Phone +65 6744 3732  
E-Mail admin@sicksgp.com.sg

**Slovenija**

Phone +386 (0)1-47 69 990  
E-Mail office@sick.si

**South Africa**

Phone +27 11 472 3733  
E-Mail info@sickautomation.co.za

**South Korea**

Phone +82 2 786 6321/4  
E-Mail info@sickkorea.net

**Suomi**

Phone +358-9-25 15 800  
E-Mail sick@sick.fi

**Sverige**

Phone +46 10 110 10 00  
E-Mail info@sick.se

**Taiwan**

Phone +886-2-2375-6288  
E-Mail sales@sick.com.tw

**Türkiye**

Phone +90 (216) 528 50 00  
E-Mail info@sick.com.tr

**United Arab Emirates**

Phone +971 (0) 4 8865 878  
E-Mail info@sick.ae

**USA/México**

Phone +1(952) 941-6780  
1 800-325-7425 – tollfree  
E-Mail info@sickusa.com

More representatives and agencies  
at [www.sick.com](http://www.sick.com)