



SIRIUS, COMPACT STARTER,
 REVERSING STARTER . 400 V, 24 V DC,
 8 ... 32 A, IP20,
 CONN. MAIN CIRCUIT: PLUG-IN,
 W/O TERMINALS,
 CONN. CONTROL CIRCUIT: SCREW TERMINAL

General technical data:		
product brand name		SIRIUS
Product designation		compact starter
Design of the product		reversing feeder
Trip class		CLASS 10 and 20 adjustable
Product function		
<ul style="list-style-type: none"> control circuit interface to parallel wiring 		No
<ul style="list-style-type: none"> bus-communication 		Yes
<ul style="list-style-type: none"> short circuit protection 		Yes
<ul style="list-style-type: none"> control circuit interface with IO link 		Yes
Type of assignment		continous operation according to IEC 60947-6-2
Protection class IP		IP20
Degree of pollution		3
mounting position / recommended		vertical, on horizontal standard mounting rail
Installation altitude / at a height over sea level		
<ul style="list-style-type: none"> maximum 	m	2,000
Ambient temperature		
<ul style="list-style-type: none"> during storage 	°C	-55 ... +80
<ul style="list-style-type: none"> during operating 	°C	-20 ... +60
<ul style="list-style-type: none"> during transport 	°C	-55 ... +80

Relative humidity • during operating phase	%	10 ... 90
Resistance against shock		a=60 m/s ² (6g) with 10 ms per 3 shocks in all axes
Resistance against vibration		f= 4 ... 5.8 Hz, d= 15 mm; f= 5.8 ... 500 Hz, a= 20 m/s ² ; 10 cycles
Impulse voltage resistance / rated value	V	6,000
Field-bound parasitic coupling • according to IEC 61000-4-3		80 ... 3000 MHz at 10V/m
Insulation voltage / rated value	V	690
Conductor-bound parasitic coupling conductor-earth SURGE • according to IEC 61000-4-5		4 kV main circuits, 0.5 kV auxiliary voltage with upstream overvoltage protection
Conductor-bound parasitic coupling conductor-conductor SURGE • according to IEC 61000-4-5		2 kV main circuits, 0.5 kV auxiliary voltage with upstream overvoltage protection
Conductor-bound parasitic coupling BURST • according to IEC 61000-4-4		4 kV main circuits, 2 kV auxiliary circuits, 2 kV IO-Link, 2 kV limit switches, 2 kV line hand-held device
Reference code • according to DIN 40719 extended according to IEC 204-2 / according to IEC 750 • according to DIN EN 61346-2		Q Q

Main circuit:

Operating voltage / at AC-3 / rated value • maximum	V	400
Number of poles / for main current circuit		3
Adjustable response current • of the current-dependent overload release	A	8 ... 32
Formula for making capacity limit current		12 x I _e
Formula for interruption capacity limit current		10 x I _e
Emitted mechanical power / for 4-pole three-phase motor • at 400 V / rated value	kW	15
Service power / at AC-3 / at 400 V / rated value	kW	15
Frequency of operation / at AC-41 / according to IEC 60947-6-2 / maximum	1/h	750
Frequency of operation / at AC-43 / according to IEC 60947-6-2 / maximum	1/h	250
Off-load operating frequency	1/h	3,600
Mechanical operating cycles as operating time • of the main contacts / typical • of the auxiliary contacts / typical		10,000,000 10,000,000

- of the signal contacts / typical

10,000,000

Control circuit:

Type of voltage

AC

Holding power

- for DC / maximum

W

3.4

Switch-off delay time

ms

50

Start-up delay time

ms

70

Auxiliary circuit:

Product extension

- auxiliary switch

Yes

Number of NC contacts

- for auxiliary contacts

0

Number of NO contacts

- for auxiliary contacts

0

- of the non-delayed short-circuit release / for alarm contact

0

Number of changeover contacts / of the current-dependent overload release / for alarm contact

0

Operating current / of the auxiliary contacts / at AC-12

- maximum

A

10

Electrical switching cycle as operating time / of the auxiliary contacts

- at AC-15 / at 6 A / at 230 V / typical

500,000

- at DC-13 / at 6 A / at 24 V / typical

100,000

Short-circuit:

Design of the fuse link / for short-circuit protection of the auxiliary switch

- required

fuse gL/gG: 10 A

Installation/mounting/dimensions:

Mounting type

screw and snap-on mounting

Width

mm

90

Height

mm

170

Depth

mm

165

mounting position

any

Connections:

Product function

- removable terminal for main circuit

Yes

- removable terminal for auxiliary and control circuit

Yes

Design of the electrical connection

<ul style="list-style-type: none"> • for main current circuit • for auxiliary and control current circuit 	<p>plug-in without terminals</p> <p>screw-type terminals</p>
Type of the connectable conductor cross-section <ul style="list-style-type: none"> • for main contacts <ul style="list-style-type: none"> • solid • finely stranded <ul style="list-style-type: none"> • with conductor end processing • for auxiliary contacts <ul style="list-style-type: none"> • solid • finely stranded <ul style="list-style-type: none"> • with conductor end processing • for AWG conductors <ul style="list-style-type: none"> • for main contacts • for auxiliary contacts 	<p>2x (2.5 ... 6 mm²), 1x 10 mm²</p> <p>2x (2.5 ... 6 mm²)</p> <p>0.5 ... 4 mm², 2x (0.5 ... 2.5 mm²)</p> <p>0.5 ... 2.5 mm², 2x (0.5 ... 1.5 mm²)</p> <p>2x (14 ... 10), 1x 8</p> <p>2x (20 ... 14)</p>

Certificates/approvals:

Verification of suitability	IEC / EN 60947-6-2
------------------------------------	--------------------

General Product Approval	EMC	Functional Safety / Safety of Machinery
---------------------------------	------------	--



Test Certificates	Shipping Approval
--------------------------	--------------------------

[Type Test Certificates/Test Report](#)



other

[Declaration of Conformity](#)

[other](#)

[Environmental Confirmations](#)

UL/CSA ratings:

yielded mechanical performance (hp) / for three-phase squirrel cage motors		
<ul style="list-style-type: none"> • at 200/208 V / rated value • at 220/230 V / rated value • at 460/480 V / rated value 	hp	7.5
	hp	10
	hp	20
Full-load current (FLA) / for 3-phase motor		
<ul style="list-style-type: none"> • at 480 V / rated value 	A	32

Reliability figures:

B10 value	1,500,000
------------------	-----------

Proportion of dangerous failures	%	50
Protection against electrical shock		finger-safe

Further information:

Information- and Downloadcenter (Catalogs, Brochures,...)

<http://www.siemens.com/industrial-controls/catalogs>

Industry Mall (Online ordering system)

<http://www.siemens.com/industrial-controls/mall>

Cax online generator:

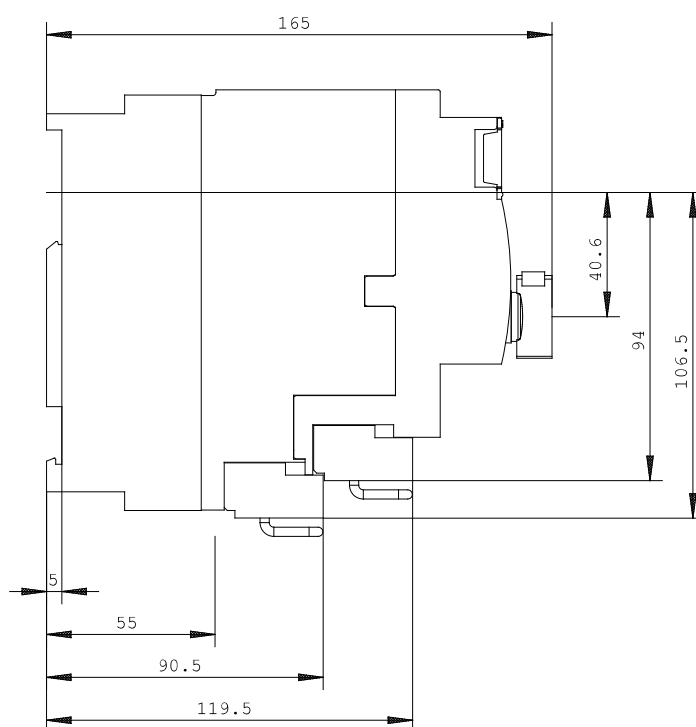
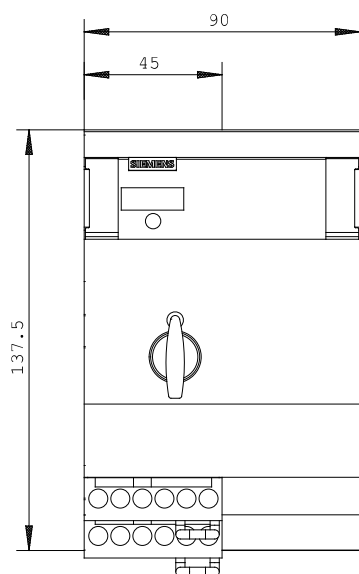
<http://www.siemens.com/cax>

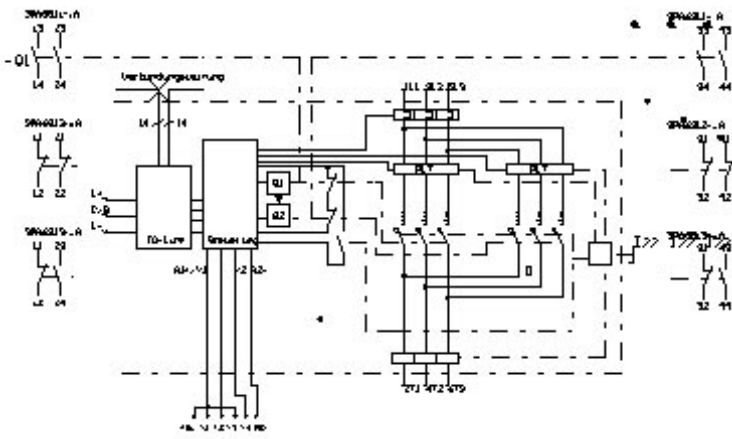
Service&Support (Manuals, Certificates, Characteristics, FAQs,...)

<http://support.automation.siemens.com/WW/view/en/3RA6500-1EB43/all>

Image database (product images, 2D dimension drawings, 3D models, device circuit diagrams, ...)

http://www.automation.siemens.com/bilddb/cax_en.aspx?mlfb=3RA6500-1EB43





last change:

Jun 16, 2014