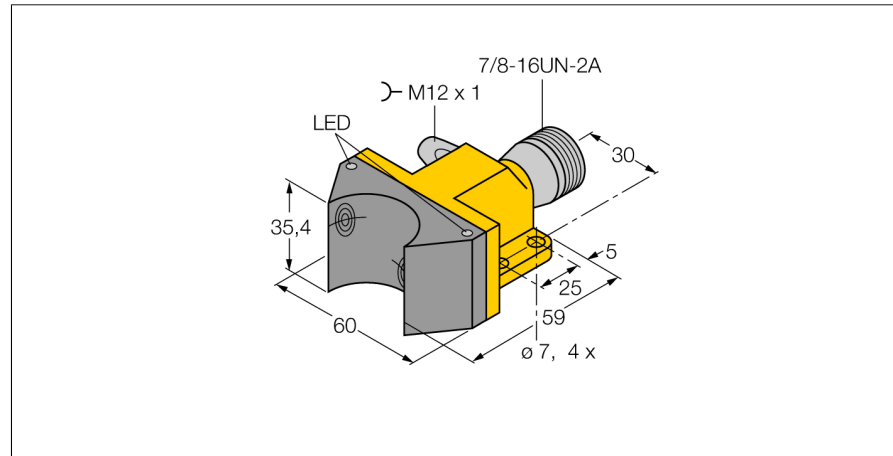


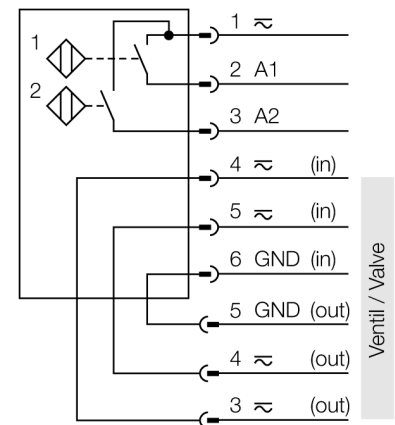
**Inductive  
dual sensor for rotary actuators  
NI4-DSU35-2ADZ30X2-B1160-FKE4.5**



- Rectangular, housing DSU35
- Plastic, PP-GF30-VO
- Two outputs for monitoring the position of rotary actuators
- All metal housing parts are made of stainless steel
- Mounting on all standard actuators
- Valves can be connected
- 2 x NO contact
- AC 3-wire, 20...250 VAC
- 3-wire DC, 10...300 VDC
- connector, 7/8"

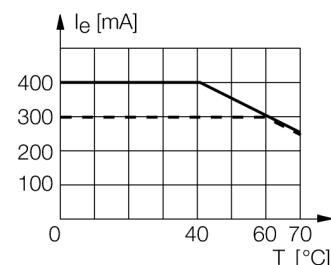
<b>Type code</b>	NI4-DSU35-2ADZ30X2-B1160-FKE4.5
<b>Ident no.</b>	4290011
<b>Rated operating distance Sn</b>	4 mm
<b>Mounting condition</b>	non-flush
<b>Correction factors</b>	St37 = 1; Al = 0.3; stainless steel = 0.7; Ms = 0.4
<b>Repeatability</b>	≤ 2 % of full scale
<b>Temperature drift</b>	10 %
<b>Hysteresis</b>	3...15 %
<b>Ambient temperature</b>	-25...+70 °C
<b>Operating voltage</b>	20...250 VAC
<b>Operating voltage</b>	10...300VDC
<b>AC rated operational current</b>	≤ 400 mA
<b>DC rated operational current</b>	≤ 300 mA
<b>Frequency</b>	≥ 50...≤ 60 Hz
<b>Residual current</b>	≤ 1.7 mA
<b>Rated insulation voltage</b>	≤ 1.5 kV
<b>Surge current</b>	≤ 3 A (≤ 20 ms max. 5 Hz)
<b>Short-circuit protection</b>	yes/ latching
<b>Voltage drop at I<sub>v</sub></b>	≤ 6 V
<b>Wire breakage / Reverse polarity protection</b>	yes/ complete
<b>Output function</b>	6-wire, 2x NO
<b>Smallest operating current I<sub>min</sub></b>	≤ 3 mA
<b>Valve control</b>	max. 250 VAC/DC 4 A
<b>Short-circuit protection / output watchdog</b>	no/ no
<b>Switching frequency</b>	0.02 kHz
<b>Design</b>	dual sensor for valve monitoring, DSU35
<b>Dimensions</b>	59 x 60 x 35.4 mm
<b>Housing material</b>	plastic, PP, yellow
<b>Material active area</b>	Plastic, PP, Black
<b>Plug adapter</b>	metal, A4 1.4401 (AISI 316)
<b>Connection</b>	male, 7/8"
<b>Valve connection</b>	Connector, M12 x 1
<b>Vibration resistance</b>	55 Hz (1 mm)
<b>Shock resistance</b>	30 g (11 ms)
<b>Protection class</b>	IP67
<b>MTTF</b>	2283 years acc. to SN 29500 (Ed. 99) 40 °C
<b>Switching state</b>	LED yellow / red

**Wiring diagram**



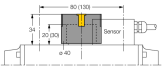
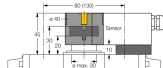
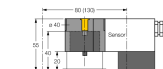
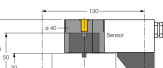
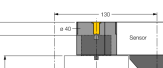
**Functional principle**

Inductive sensors detect metal objects contactless and wear-free. Dual sensors are especially designed for position detection in rotary actuators. They combine the reliability of non-contact inductive sensors with the flexibility of a modular housing system.



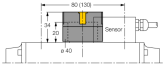
**Inductive  
dual sensor for rotary actuators  
NI4-DSU35-2ADZ30X2-B1160-FKE4.5**

**Accessories**

Type code	Ident no.	Description	Dimension drawing
BTS-DSU35-EB1	6900225	Actuation kit (puck) for dual sensors; end position damped; hole pattern on flange surface 80 x 30 mm and 130 x 30 mm; connection shaft (shaft extension) height 20 mm / Ø max. 30 mm	
BTS-DSU35-Z01	6900229	Mounting kit dual sensors, for larger rotary actuators: Spacer plate and snap ring max. Ø 65 mm; hole pattern on flange surface 30 x 80 mm (30 x 130 mm); connection shaft (shaft extension) height 30 mm / Ø max. 30 mm	
BTS-DSU35-Z02	6900230	Mounting kit dual sensors, for larger rotary actuators: Ø disc and snap ring max. 65 mm; hole pattern on flange surface 30 x 80 mm (30 x 130 mm); connection shaft (shaft extension) height 20 (30) mm / Ø max. 40 mm	
BTS-DSU35-Z03	6900231	Mounting kit dual sensors, for larger rotary actuators: Ø disc and snap ring max. 110 mm; hole pattern on flange surface 30 x 130 mm; connection shaft (shaft extension) height 30 mm / Ø max. 70 mm	
BTS-DSU35-Z07	6900403	Mounting kit dual sensors, for larger rotary actuators: Ø disc and snap ring max. 110 mm; hole pattern on flange surface 30 x 130 mm; connection shaft (shaft extension) height 50 mm / Ø max. 75 mm	

**Inductive  
dual sensor for rotary actuators  
NI4-DSU35-2ADZ30X2-B1160-FKE4.5**

**Accessories**

Type code	Ident no.	Description	Dimension drawing
BTS-DSU35-EBE3	6901070	Actuation kit (puck) for dual sensors; end position damped; "open" and "closed" switchpoint adjustable; hole pattern on flange surface 80 x 30 mm and 130 x 30 mm; connection shaft (shaft extension) height 20 / Ø max. 30 mm	
BTS-DSU35-EU2	6900455	Actuation kit (puck) for dual sensors; end position undamped for clockwise and counter-clockwise drives; hole pattern on flange surface 80 x 30 mm and 130 x 30 mm; connection shaft (shaft stud) height 20 (30) mm / Ø max. 30 mm	