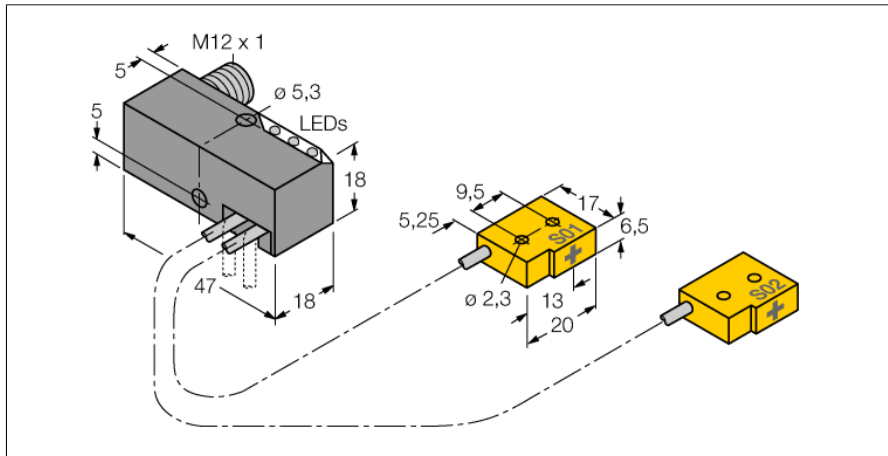
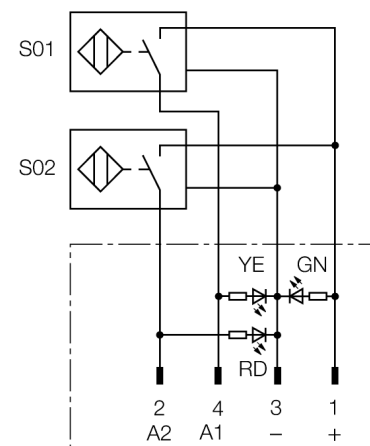


**Inductive sensor
power clamp monitor
NI2-Q6,5-AP6-0,2-FS4.4X3/S304**



- Power block Q6,5 with two connected sensors and LEDs
- Adaptable block position 0°...90°, with cross drilling for flexible cable routing
- Plastic, PBT-GF20-V0
- Magnetic field immune (weld-resistant) to DC and AC fields
- 2 x NO contact, PNP output
- 4-wire DC, 10...30 VDC

Wiring diagram



Functional principle

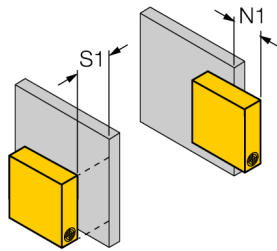
TURCK offers special monitoring kits, consisting of two miniature sensors, as a convenient solution for "Open/Closed" detection on pneumatic power clamps. This product line provides almost unlimited combination possibilities, comprising four different power blocks and over forty different modular sensor types.

| | |
|---|---|
| Type code | NI2-Q6,5-AP6-0,2-FS4.4X3/S304 |
| Ident no. | 1650047 |
| Rated operating distance Sn | 2 mm |
| Mounting condition | non-flush |
| Assured sensing range | ≤ (0,81 x Sn) mm |
| Correction factors | St37 = 1; Al = 0.3; stainless steel = 0.7; Ms = 0.4 |
| Repeatability | ≤ 2 % of full scale |
| Temperature drift | 10 % |
| Hysteresis | 3...15 % |
| Ambient temperature | -25...+70 °C |
| Operating voltage | 10...30VDC |
| Residual ripple | ≤ 10 % U _{ss} |
| DC rated operational current | ≤ 150 mA |
| No-load current I ₀ | ≤ 20 mA |
| Residual current | ≤ 0.1 mA |
| Rated insulation voltage | ≤ 0.5 kV |
| Short-circuit protection | yes/ cyclic |
| Voltage drop at I _N | ≤ 1.8 V |
| Wire breakage / Reverse polarity protection | yes/ complete |
| Output function | 4-wire, NO contact, PNP |
| Smallest operating current I _m | ≤ 1 mA |
| Switching frequency | 0.03 kHz |
| Design | monitoring kit for clamping technology, Q6.5 |
| Dimensions | 47 x 18 x 18 mm |
| Housing material | metal, PBT |
| Material active face | Plastic, PP |
| Connection | male, M12 x 1 |
| Cable quality | 2 mm, grey, Lif9Y-11Y, PUR, 0.2 m |
| Cable cross section | 3 x 0.08 mm ² |
| Litz wire | 40x0.05mm ² |
| Vibration resistance | 55 Hz (1 mm) |
| Shock resistance | 30 g (11 ms) |
| Protection class | IP67 |
| MTTF | 2283 years acc. to SN 29500 (Ed. 99) 40 °C |
| Power-on indication | LED green |
| Switching state | LED yellow / red |
| Included in scope of supply | Screw M5 x 25 DIN 912 |

**Inductive sensor
power clamp monitor
NI2-Q6,5-AP6-0,2-FS4.4X3/S304**

| Mounting instructions / Description | minimum distances |
|-------------------------------------|-------------------|
| Distance D | 3 x B |
| Distance W | 3 x Sn |
| Distance S | 1.5 x B |
| Distance G | 6 x Sn |
| Distance N | 2 x Sn |

| | |
|-----------------------------------|--------|
| Width of the active face B | 6.5 mm |
|-----------------------------------|--------|



Please note, non-flush mounting of this sensor is obligatory.

The following conditions allow semi-flush mounting:

N1 = 0 mm and S1 = 1 mm or

N1 = 1 mm and S1 = 0 mm

These values apply for mounting in aluminium

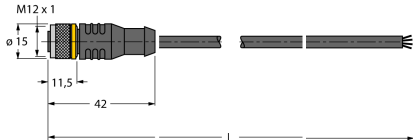
N1 = 0 mm and S1 = 5 mm or

N1 = 5 mm and S1 = 0 mm

These values apply for mounting in St37.

**Inductive sensor
power clamp monitor
NI2-Q6,5-AP6-0,2-FS4.4X3/S304**

Wiring accessories

| Type code | Ident no. | Description | Dimension drawing |
|---------------|-----------|--|---|
| RKC4.4T-2/TEL | 6625013 | Connection cable, female M12, straight, 4-pin, cable length: 2 m, sheath material: PVC, black; cULus approval; other cable lengths and qualities available, see www.turck.com |  |