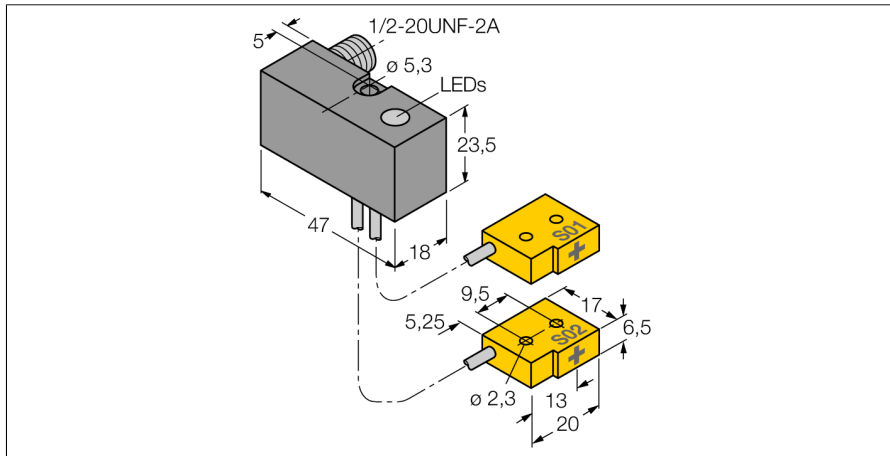
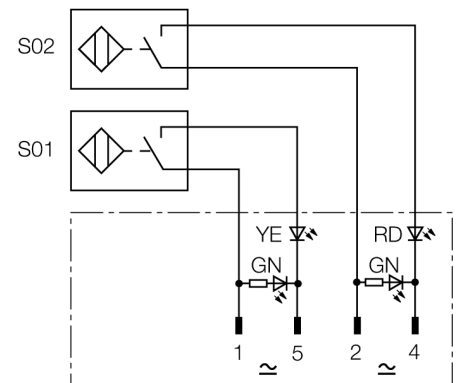


**Inductive sensor  
power clamp monitor  
NI2-Q6,5-ADZ32-0,1-FSB5.4X4/S304**



- Rectangular, height 23.5 mm
- Plastic, PBT-GF20-V0
- Magnetic field immune (weld-resistant) to DC and AC fields
- AC 4-wire, 20...250 VAC
- 4-wire DC, 10...300 VDC
- 2 x NO contact
- Male 1/2"

**Wiring diagram**



**Functional principle**

TURCK offers special monitoring kits, consisting of two miniature sensors, as a convenient solution for "Open/Closed" detection on pneumatic power clamps. This product line provides almost unlimited combination possibilities, comprising four different power blocks and over forty different modular sensor types.

|   |   |
|---|---|
| <b>Type code</b>                            | NI2-Q6,5-ADZ32-0,1-FSB5.4X4/S304                    |
| Ident no.                                   | 4200204   |
| <b>Rated operating distance Sn</b>          | 2 mm  |
| Mounting condition                          | non-flush   |
| Assured sensing range                       | ≤ (0,81 x Sn) mm                                    |
| Correction factors                          | St37 = 1; Al = 0.3; stainless steel = 0.7; Ms = 0.4 |
| Repeatability                               | ≤ 2 % of full scale                                 |
| Temperature drift                           | 10 %  |
| Hysteresis                                  | 3...15 %  |
| Ambient temperature                         | -25...+70 °C  |
| <b>Operating voltage</b>                    | 20...250 VAC  |
| Operating voltage                           | 10...300VDC   |
| AC rated operational current                | ≤ 100 mA  |
| DC rated operational current                | ≤ 100 mA  |
| Frequency                                   | ≥ 50...≤ 60 Hz                                      |
| Residual current                            | ≤ 1.7 mA  |
| Rated insulation voltage                    | ≤ 1.5 kV  |
| Surge current                               | ≤ 1 A (≤ 10 ms max. 5 Hz)                           |
| Short-circuit protection                    | yes/ latching                                       |
| Voltage drop at I <sub>n</sub>              | ≤ 6 V   |
| Wire breakage / Reverse polarity protection | yes/ complete                                       |
| Output function                             | 4-wire, 2x NO                                       |
| Smallest operating current I <sub>n</sub>   | ≤ 3 mA  |
| Switching frequency                         | 0.03 kHz  |
| <b>Design</b>                               | monitoring kit for clamping technology, Q6.5        |
| Dimensions                                  | 47 x 18 x 23.5 mm                                   |
| Housing material                            | metal, PBT  |
| Material active area                        | Plastic, PP   |
| Connection                                  | male, 1/2"  |
| Cable quality                               | 2 mm, grey, Lif9Y-11Y, PUR, 0.1 m                   |
| Cable cross section                         | 3 x 0.08 mm <sup>2</sup>                            |
| Litz wire                                   | 40x0.05mm <sup>2</sup>                              |
| Vibration resistance                        | 55 Hz (1 mm)  |
| Shock resistance                            | 30 g (11 ms)  |
| Protection class                            | IP67  |
| MTTF  | 2283 years acc. to SN 29500 (Ed. 99) 40 °C          |
| <b>Power-on indication</b>                  | 2 x LEDs green                                      |
| Switching state                             | LED yellow / red                                    |

**Inductive sensor  
power clamp monitor  
NI2-Q6,5-ADZ32-0,1-FSB5.4X4/S304**

| Mounting instructions / Description | minimum distances |
|-------------------------------------|-------------------|
| Distance D                          | 3 x B             |
| Distance W                          | 3 x Sn            |
| Distance S                          | 1.5 x B           |
| Distance G                          | 6 x Sn            |
| Distance N                          | 2 x Sn            |

---

|                                   |        |
|-----------------------------------|--------|
| <b>Width of the active face B</b> | 6.5 mm |
|-----------------------------------|--------|



**Please note, non-flush mounting of this sensor is obligatory.**

The following conditions allow semi-flush mounting:

N1 = 0 mm and S1 = 1 mm or

N1 = 1 mm and S1 = 0 mm

These values apply for mounting in aluminium

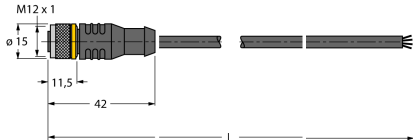
N1 = 0 mm and S1 = 5 mm or

N1 = 5 mm and S1 = 0 mm

These values apply for mounting in St37.

**Inductive sensor  
power clamp monitor  
NI2-Q6,5-ADZ32-0,1-FSB5.4X4/S304**

**Wiring accessories**

| Type code     | Ident no. | Description  | Dimension drawing   |
|---------------|-----------|--|---|
| RKC4.4T-2/TEL | 6625013   | Connection cable, female M12, straight, 4-pin, cable length: 2 m, sheath material: PVC, black; cULus approval; other cable lengths and qualities available, see <a href="http://www.turck.com">www.turck.com</a> |  |