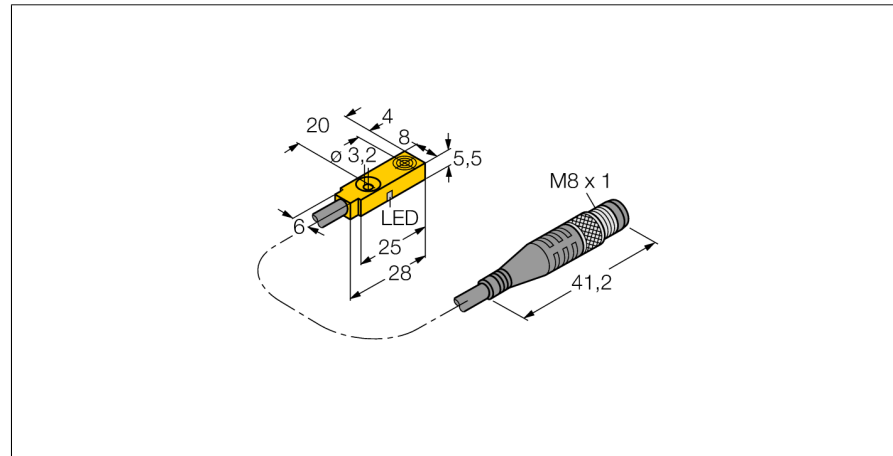
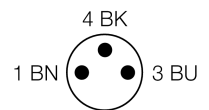
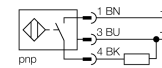


**Inductive sensor**  
**BI2-Q5,5-AP6X-0,3-PSG3M**



- Rectangular, height 5.5 mm
- Active face on top
- Plastic, PP
- 3-wire DC, 10...30 VDC
- NO contact, PNP output
- Male M8 x 1

**Wiring diagram**

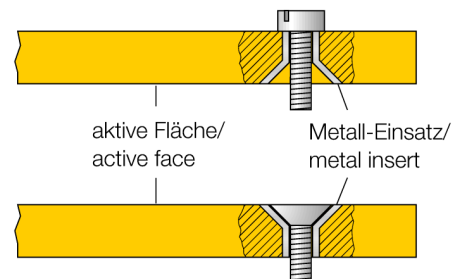


<b>Type code</b>	BI2-Q5,5-AP6X-0,3-PSG3M
Ident no.	1613007
<b>Rated operating distance Sn</b>	2 mm
Mounting condition	flush
Assured sensing range	≤ (0,81 x Sn) mm
Correction factors	St37 = 1; Al = 0.3; stainless steel = 0.7; Ms = 0.4
Repeatability	≤ 2 % of full scale
Temperature drift	10 %
Hysteresis	3...15 %
Ambient temperature	-25...+85 °C
<b>Operating voltage</b>	10...30VDC
Residual ripple	≤ 10 % U <sub>ss</sub>
DC rated operational current	≤ 150 mA
No-load current I <sub>0</sub>	≤ 15 mA
Residual current	≤ 0.1 mA
Rated insulation voltage	≤ 0.5 kV
Short-circuit protection	yes/ cyclic
Voltage drop at I <sub>e</sub>	≤ 1.8 V
Wire breakage / Reverse polarity protection	yes/ complete
Output function	3-wire, NO contact, PNP
Switching frequency	2 kHz
<b>Design</b>	rectangular, Q5.5
Dimensions	28 x 8 x 5.5 mm
Housing material	plastic, PP
Material coupling nut	metal, CuZn, nickel-plated
Tightening torque fixing screw	0.5 Nm
Connection	male, M8 x 1
Cable quality	3 mm, grey, Lif9Y-11Y, PUR, 0.3 m Suited for E-ChainSystems® acc. to manufacturers declaration H1063M
Cable cross section	3 x 0.14 mm <sup>2</sup>
Vibration resistance	55 Hz (1 mm)
Shock resistance	30 g (11 ms)
Protection class	IP67
MTTF	2283 years acc. to SN 29500 (Ed. 99) 40 °C
<b>Switching state</b>	LED yellow

**Functional principle**

Inductive sensors detect metal objects contactless and wear-free. For this, they use a high-frequency electromagnetic AC field that interacts with the target. Inductive sensors generate this field via an RLC circuit with a ferrite coil.

We offer special versions for temperatures of -60 °C up to +250 °C.



**Inductive sensor**  
**BI2-Q5,5-AP6X-0,3-PSG3M**

---

Distance D	$2 \times B$
Distance W	$3 \times S_n$
Distance S	$1 \times B$
Distance G	$6 \times S_n$

---

Width of the active face B 8 mm

---



**Inductive sensor  
BI2-Q5,5-AP6X-0,3-PSG3M**

**Wiring accessories**

Type code	Ident no.	Description	Dimension drawing
PKG3M-2/TEL	6625058	Connection cable, female M8, straight, 3-pin, cable length: 2 m, sheath material: PVC, black; cULus approval; other cable lengths and qualities available, see <a href="http://www.turck.com">www.turck.com</a>	