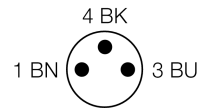
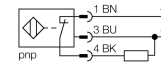


- Rectangular, height 8 mm
- Active face on top
- Factor 1 for all metals
- Increased switching distance
- Protection class IP68
- Resistant to magnetic fields
- Auto-compensation protects against pre-attenuation
- up to 4-side flush mounting possible:
- 3-wire DC, 10...30 VDC
- NC contact, PNP output
- Male M8 x 1

Type code	NI4U-Q8SE-RP6X-V1131
Ident no.	4635820
Rated operating distance Sn	4 mm
Mounting condition	non-flush, flush mountable
Assured sensing range	$\leq (0,81 \times S_n)$ mm
Repeatability	$\leq 2\%$ of full scale
Temperature drift	10 %
	$\leq \pm 15\%$, $\leq -25\text{ °C}$ v $\geq +70\text{ °C}$
Hysteresis	3...15 %
Ambient temperature	-30...+85 °C
Operating voltage	10...30VDC
Residual ripple	$\leq 10\%$ U _{ss}
DC rated operational current	≤ 150 mA
No-load current I ₀	≤ 15 mA
Residual current	≤ 0.1 mA
Rated insulation voltage	≤ 0.5 kV
Short-circuit protection	yes/ cyclic
Voltage drop at I ₀	≤ 1.8 V
Wire breakage / Reverse polarity protection	yes/ complete
Output function	3-wire, NC contact, PNP
Protection class	□
Switching frequency	1 kHz
Design	rectangular, Q8SE
Dimensions	40 x 8 x 8 mm
Housing material	plastic, PP, yellow
Tightening torque	0.6 Nm
Connection	male, M8 x 1
Vibration resistance	55 Hz (1 mm)
Shock resistance	30 g (11 ms)
Protection class	IP68
MTTF	874 years acc. to SN 29500 (Ed. 99) 40 °C
Switching state	LED yellow

Wiring diagram

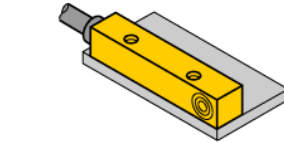
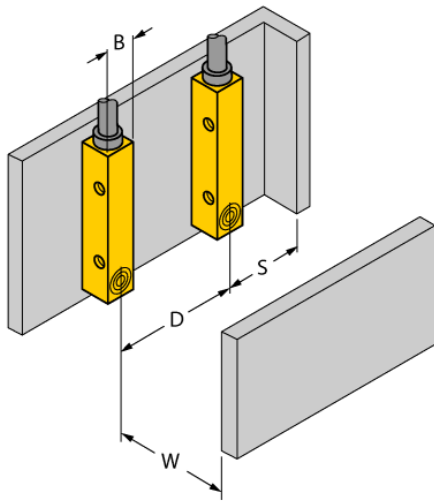


Functional principle

Inductive sensors detect metal objects contactless and wear-free. Due to the patented multi-coil system, *uprox*@+ sensors have distinct advantages over conventional sensors. They excel in largest switching distances, maximum flexibility and operational reliability as well as efficient standardization.

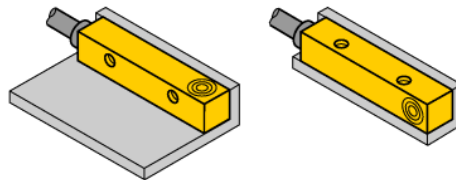
Distance D	24 mm
Distance W	12 mm
Distance S	12 mm
Distance G	24 mm

Width of the active face B	8 mm
----------------------------	------

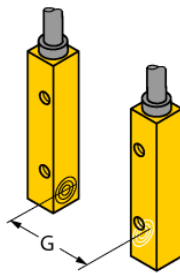


Flush mounting

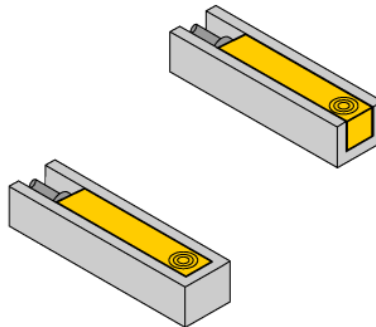
1-side mounting:
Sr = 3.5 mm



2-side mounting:
Sr = 3.0 mm



3-side mounting:
Sr = 2.5 mm



4-side mounting:
Sr = 2.0 mm

Wiring accessories

Type code	Ident no.	Description	Dimension drawing
PKG3M-2/TEL	6625058	Connection cable, female M8, straight, 3-pin, cable length: 2 m, sheath material: PVC, black; cULus approval; other cable lengths and qualities available, see www.turck.com	