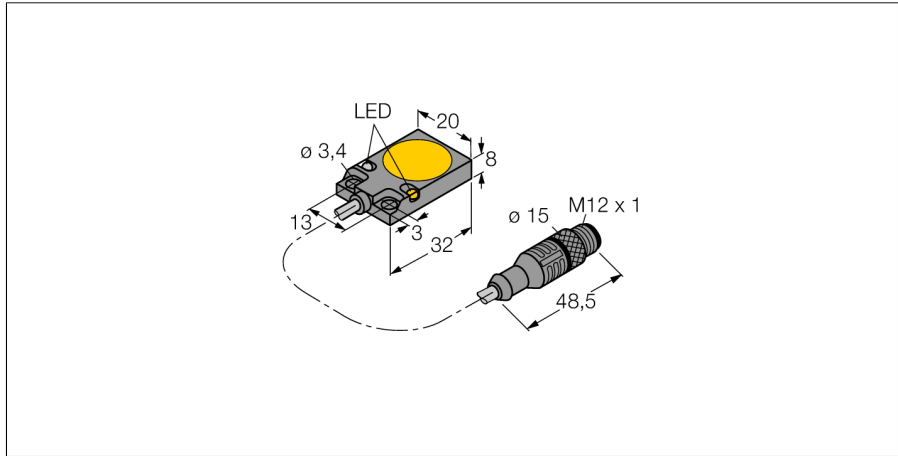


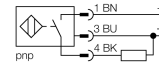
Inductive sensor
BI5U-Q08-AP6X2-0,6-RS4/S480-S481

Industrial
Automation



- Rectangular, height 8 mm
- Active face on top
- Metal, zinc die casting
- Factor 1 for all metals
- Resistant to magnetic fields
- Extended temperature range
- High switching frequency
- 3-wire DC, 10...30 VDC
- NO contact, PNP output
- Pigtail with male end, M8 x 1

Wiring diagram



Type code	BI5U-Q08-AP6X2-0,6-RS4/S480-S481
Ident no.	1608924
Rated operating distance Sn	5 mm
Mounting condition	flush
Assured sensing range	≤ (0,81 x Sn) mm
Repeatability	≤ 2 % of full scale
Temperature drift	10 %
Hysteresis	≤ ± 15 %, ≤ -25 °C v ≥ +70 °C
Ambient temperature	3...15 % -30...+85 °C
Operating voltage	10...30VDC
Residual ripple	≤ 10 % U _{ss}
DC rated operational current	≤ 200 mA
No-load current I ₀	≤ 15 mA
Residual current	≤ 0.1 mA
Rated insulation voltage	≤ 0.5 kV
Short-circuit protection	yes/ cyclic
Voltage drop at I ₀	≤ 1.8 V
Wire breakage / Reverse polarity protection	yes/ complete
Output function	3-wire, NO contact, PNP
Protection class	☐
Switching frequency	0.25 kHz
Design	rectangular, Q08
Dimensions	32 x 20 x 8 mm
Housing material	metal, GD-Zn, black lacquer
Material coupling nut	metal, CuZn, nickel-plated
Connection	cable with connector, M12 x 1
Cable quality	4 mm, Lif9Y-11YFHF, PUR, 0.6 m
Cable cross section	3 x 0.25 mm ²
Vibration resistance	55 Hz (1 mm)
Shock resistance	30 g (11 ms)
Protection class	IP67
MTTF	874 years acc. to SN 29500 (Ed. 99) 40 °C
Power-on indication	LED green
Switching state	LED yellow
Included in scope of supply	marking sleeve

Functional principle

Inductive sensors detect metal objects contactless and wear-free. Due to the patented multicoil system, *uprox®*+ sensors have distinct advantages over conventional sensors. They detect all metals at the same large switching distance and are resistant to magnetic fields.

Inductive sensor
BI5U-Q08-AP6X2-0,6-RS4/S480-S481

Distance D	40 mm
Distance W	15 mm
Distance G	30 mm

Width of the active face B 17 mm

