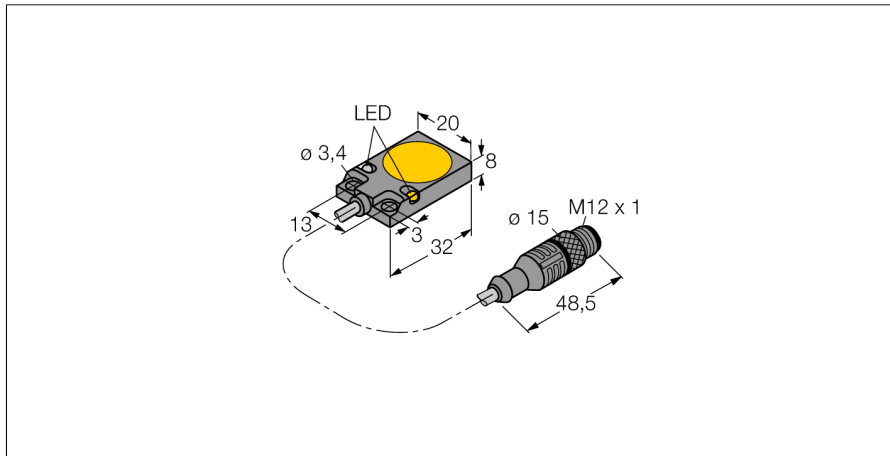


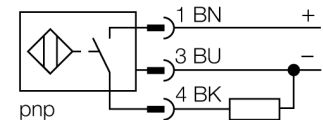
Inductive sensor
BI5U-Q08-AP6X2-1-RS4/S488

Industrial
Automation



- Rectangular, height 8 mm
- Active face on top
- Metal, zinc die casting
- Halogen-free cable
- 3-wire DC, 10...30 VDC
- NO contact, PNP output
- Male M12 x 1

Wiring diagram



Type code	BI5U-Q08-AP6X2-1-RS4/S488
Ident no.	1608927
Rated operating distance Sn	5 mm
Mounting condition	flush
Assured sensing range	≤ (0,81 x Sn) mm
Repeatability	≤ 2 % of full scale
Temperature drift	10 %
Hysteresis	≤ ± 15 %, ≤ -25 °C v ≥ +70 °C
Ambient temperature	3...15 % -25...+85 °C
Operating voltage	10...30VDC
Residual ripple	≤ 10 % U _{ss}
DC rated operational current	≤ 200 mA
No-load current I ₀	≤ 15 mA
Residual current	≤ 0.1 mA
Rated insulation voltage	≤ 0.5 kV
Short-circuit protection	yes/ cyclic
Voltage drop at I ₀	≤ 1.8 V
Wire breakage / Reverse polarity protection	yes/ complete
Output function	3-wire, NO contact, PNP
Protection class	□
Switching frequency	0.25 kHz
Design	rectangular, Q08
Dimensions	32 x 20 x 8 mm
Housing material	metal, GD-Zn, black lacquer
Material coupling nut	metal, CuZn, nickel-plated
Connection	male, M12 x 1
Cable quality	4.4 mm, orange, D12YSL11X-OB, PUR, 1 m
Cable cross section	3 x 0.34 mm ²
Vibration resistance	55 Hz (1 mm)
Shock resistance	30 g (11 ms)
Protection class	IP67
Power-on indication	LED green
Switching state	LED yellow

Functional principle

Inductive sensors detect metal objects contactless and wear-free. Due to the 3-coil system without ferrite core, uprox®+ factor 1 sensors have significant advantages. They detect all metals at the same switching distance, are magnetic field immune and feature large switching distances.

Inductive sensor
BI5U-Q08-AP6X2-1-RS4/S488

Distance D	40 mm
Distance W	15 mm
Distance G	30 mm

Width of the active face B 17 mm

