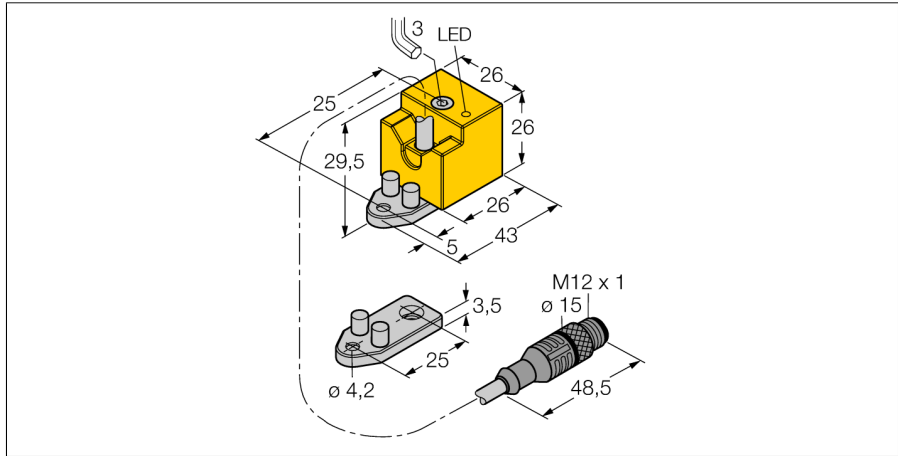
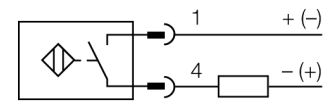


Inductive sensor
Bi10-QN26-AD4X-0,15-RS4.23/S90W/BF



- Rectangular, height 26 mm
- Variable orientation of active face in 3 directions
- Plastic, PBT-GF30-V0
- High luminance LED
- 2-wire DC, 10...65 VDC
- NO contact
- Cable with male end

Wiring diagram



Functional principle

Inductive sensors detect metal objects contactless and wear-free. For this, they use a high-frequency electromagnetic AC field that interacts with the target. Inductive sensors generate this field via an RLC circuit with a ferrite coil.

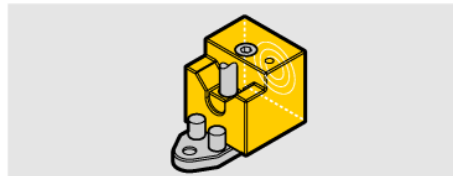
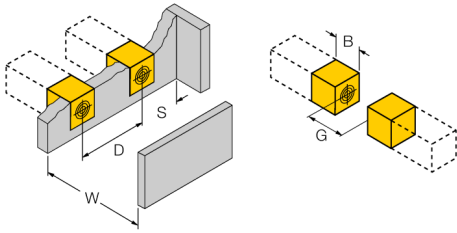
We offer special versions for temperatures of -60 °C up to +250 °C.

Type code	Bi10-QN26-AD4X-0,15-RS4.23/S90W/BF
Ident no.	4470231
Rated operating distance Sn	10 mm
Mounting condition	flush
Assured sensing range	≤ (0,81 x Sn) mm
Correction factors	St37 = 1; Al = 0.3; stainless steel = 0.7; Ms = 0.4
Repeatability	≤ 2 % of full scale
Temperature drift	10 %
Hysteresis	1...15 %
Ambient temperature	-25...+70 °C
Operating voltage	10...65VDC
Residual ripple	≤ 10 % U _{ss}
DC rated operational current	≤ 100 mA
Residual current	≤ 0.6 mA
Rated insulation voltage	≤ 0.5 kV
Short-circuit protection	yes/ cyclic
Voltage drop at I _s	≤ 5 V
Smallest operating current I _m	≤ 3 mA
Switching frequency	0.5 kHz
Design	rectangular, QN26
Dimensions	43 x 26 x 26 mm Variable orientation of active face in 3 directions
Housing material	plastic, PBT, yellow
Material coupling nut	metal, CuZn
Connection	cable with connector, M12 x 1
Cable quality	4.4 mm, LiYY-11Y, PUR, 0.15 m
Cable cross section	2 x 0.34 mm ²
Vibration resistance	55 Hz (1 mm)
Shock resistance	30 g (11 ms)
Protection class	IP67
MTTF	2283 years acc. to SN 29500 (Ed. 99) 40 °C
Switching state	LED yellow
Included in scope of supply	turning angle, screw M4 x 30 acc. to DIN 6912

Inductive sensor
Bi10-QN26-AD4X-0,15-RS4.23/S90W/BF

Distance W	3 x Sn
Distance S	1.5 x B
Distance G	6 x Sn
Distance N	1 x B

Width of the active face B	26 mm
----------------------------	-------



Screwed on acc. to
DIN 6912 Allen screw
M4 x 30 included in scope of supply.

