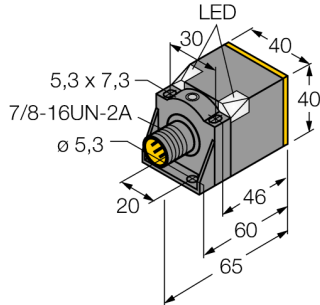


**Inductive sensor
NI25U-CK40-ADZ30X2-B1131**

Industrial
Automation



- Rectangular, height 40 mm
- Variable orientation of active face in 5 directions
- Plastic, PBT-GF30-V0
- Only use the included plastic clip BS4-CK40
- Factor 1 for all metals
- Protection class IP68
- Resistant to magnetic fields
- Extended temperature range
- High switching frequency
- AC 2-wire, 20...250 VAC
- 2-wire DC, 10...300 VDC
- NO contact
- Male 7/8"

Type code NI25U-CK40-ADZ30X2-B1131
Ident no. 4280210

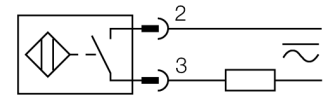
Rated operating distance Sn 25 mm
Mounting condition non-flush
Assured sensing range ≤ (0,81 x Sn) mm
Repeatability ≤ 2 % of full scale
Temperature drift 10 %
≤ ± 15 %, ≤ -25 °C v ≥ +70 °C
Hysteresis 3...15 %
Ambient temperature -30...+85 °C

Operating voltage 20...250 VAC
Operating voltage 10...300VDC
AC rated operational current ≤ 400 mA
DC rated operational current ≤ 300 mA
Frequency ≥ 50...≤ 60 Hz
Residual current ≤ 1.7 mA
Rated insulation voltage ≤ 1.5 kV
Surge current ≤ 3 A (≤ 20 ms max. 5 Hz)
Short-circuit protection yes/ latching
Voltage drop at I_s ≤ 6 V
Wire breakage / Reverse polarity protection yes/ complete
Output function 2-wire, NO contact
Smallest operating current I_o ≤ 3 mA
Protection class
Switching frequency 0.01 kHz

Design rectangular, CK40
Dimensions 65 x 40 x 40 mm
variable orientation of active face in 5 directions
Housing material plastic, PBT, black
Connection male, 7/8"
Vibration resistance 55 Hz (1 mm)
Shock resistance 30 g (11 ms)
Protection class IP68
MTTF 874 years acc. to SN 29500 (Ed. 99) 40 °C

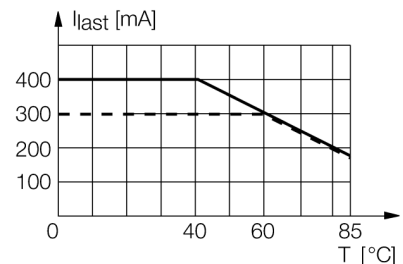
Power-on indication LED green
Switching state LED yellow
Included in scope of supply BS4-CK40

Wiring diagram



Functional principle

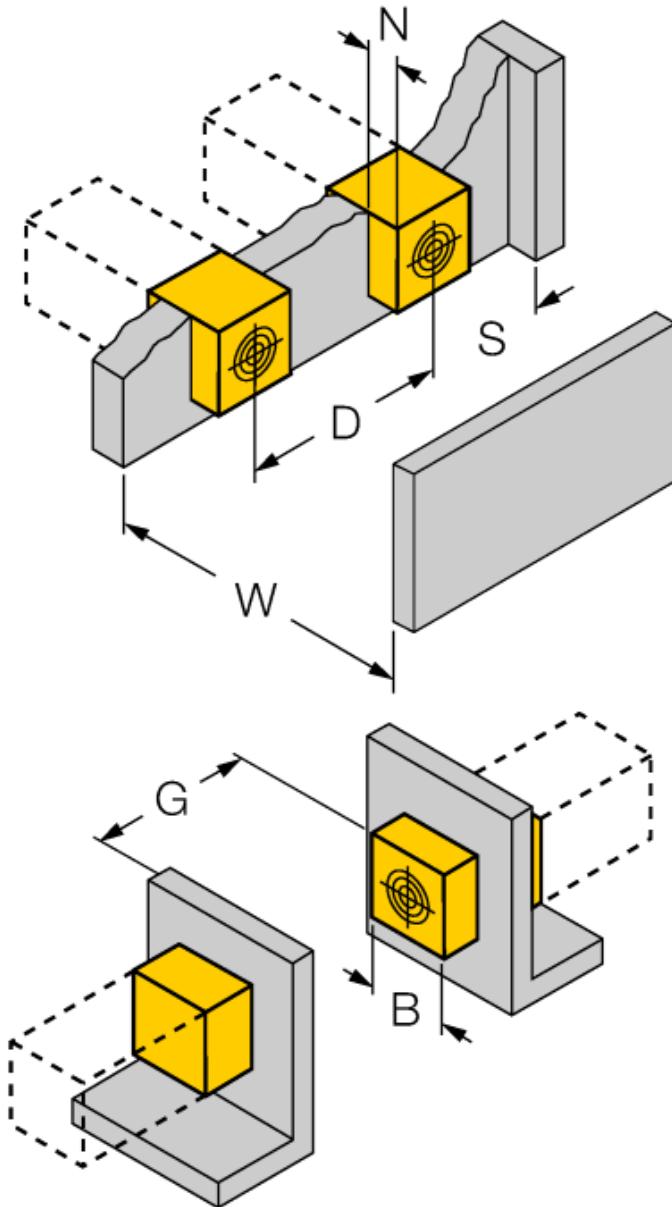
Inductive sensors detect metal objects contactless and wear-free. Due to the patented multicoil system, uprox®+ sensors have distinct advantages over conventional sensors. They detect all metals at the same large switching distance and are resistant to magnetic fields.



**Inductive sensor
NI25U-CK40-ADZ30X2-B1131**

Distance D	240 mm
Distance W	75 mm
Distance S	20 mm
Distance G	150 mm
Distance N	30 mm

Width of the active face B 40 mm



Accessories

Type code	Ident no.	Description	Dimension drawing
BSS-CP40	6901318	Mounting bracket for rectangular devices; material: Polypropylene	