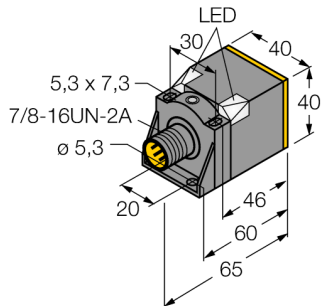
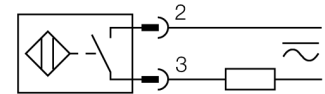


**Inductive sensor  
with extended switching distance  
NI35U-CK40-ADZ30X2-B1131**



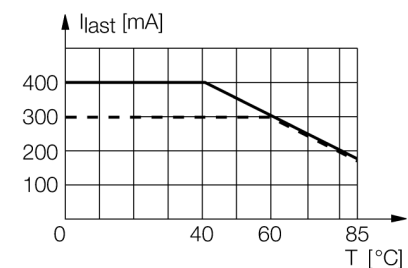
- Rectangular, height 40 mm
- Variable orientation of active face in 5 directions
- Plastic, PBT-GF30-V0
- Only use the included plastic clip BS4-CK40
- Factor 1 for all metals
- Increased switching distance
- Protection class IP68
- Large detection range
- Resistant to magnetic fields
- Extended temperature range
- High switching frequency
- AC 2-wire, 20...250 VAC
- 2-wire DC, 10...300 VDC
- NO contact
- Male 7/8"

**Wiring diagram**



**Functional principle**

Inductive sensors detect metal objects contactless and wear-free. Due to the patented multicoil system, uprox®+ sensors have distinct advantages over conventional sensors. They detect all metals at the same large switching distance and are resistant to magnetic fields.



|   |  |
|---|--|
| <b>Type code</b>                            | NI35U-CK40-ADZ30X2-B1131   |
| Ident no.                                   | 4280410  |
| <b>Rated operating distance Sn</b>          | 35 mm  |
| Mounting condition                          | non-flush  |
| Assured sensing range                       | ≤ (0,81 x Sn) mm   |
| Repeatability                               | ≤ 2 % of full scale  |
| Temperature drift                           | 10 %   |
| Hysteresis                                  | ≤ ± 20 %, ≤ -25 °C v ≥ +70 °C  |
| Ambient temperature                         | 3...15 %<br>-30...+85 °C   |
| <b>Operating voltage</b>                    | 20...250 VAC   |
| Operating voltage                           | 10...300VDC  |
| AC rated operational current                | ≤ 400 mA   |
| DC rated operational current                | ≤ 300 mA   |
| Frequency                                   | ≥ 50...≤ 60 Hz   |
| Residual current                            | ≤ 1.7 mA   |
| Rated insulation voltage                    | ≤ 1.5 kV   |
| Surge current                               | ≤ 3 A (≤ 20 ms max. 5 Hz)  |
| Short-circuit protection                    | yes/ latching  |
| Voltage drop at I <sub>n</sub>              | ≤ 6 V  |
| Wire breakage / Reverse polarity protection | yes/ complete  |
| Output function                             | 2-wire, NO contact   |
| Smallest operating current I <sub>n</sub>   | ≤ 3 mA   |
| Protection class                            | ☐  |
| Switching frequency                         | 0.01 kHz   |
| <b>Design</b>                               | rectangular, CK40  |
| Dimensions                                  | 65 x 40 x 40 mm<br>variable orientation of active face in 5 directions |
| Housing material                            | plastic, PBT, black  |
| Connection                                  | male, 7/8"   |
| Vibration resistance                        | 55 Hz (1 mm)   |
| Shock resistance                            | 30 g (11 ms)   |
| Protection class                            | IP68   |
| MTTF  | 874 years acc. to SN 29500 (Ed. 99) 40 °C                              |
| <b>Power-on indication</b>                  | LED green  |
| Switching state                             | LED yellow   |
| Included in scope of supply                 | BS4-CK40   |

**Inductive sensor  
with extended switching distance  
NI35U-CK40-ADZ30X2-B1131**

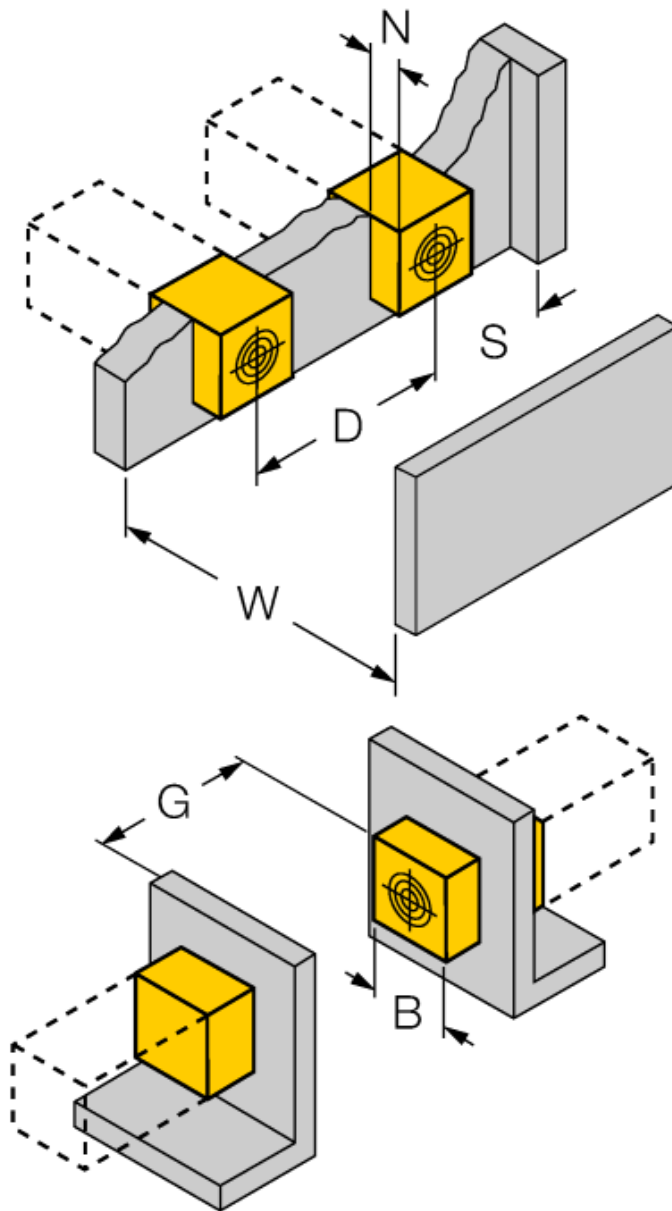
---

|            |        |
|------------|--------|
| Distance D | 120 mm |
| Distance W | 105 mm |
| Distance T | 140 mm |
| Distance S | 60 mm  |
| Distance G | 210 mm |
| Distance N | 30 mm  |

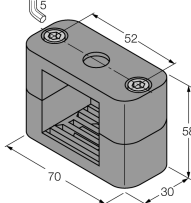
---

Width of the active face B 40 mm

---



**Accessories**

| Type code | Ident no. | Description  | Dimension drawing   |
|-----------|-----------|--|---|
| BSS-CP40  | 6901318   | Mounting bracket for rectangular devices; material:<br>Polypropylene |  |