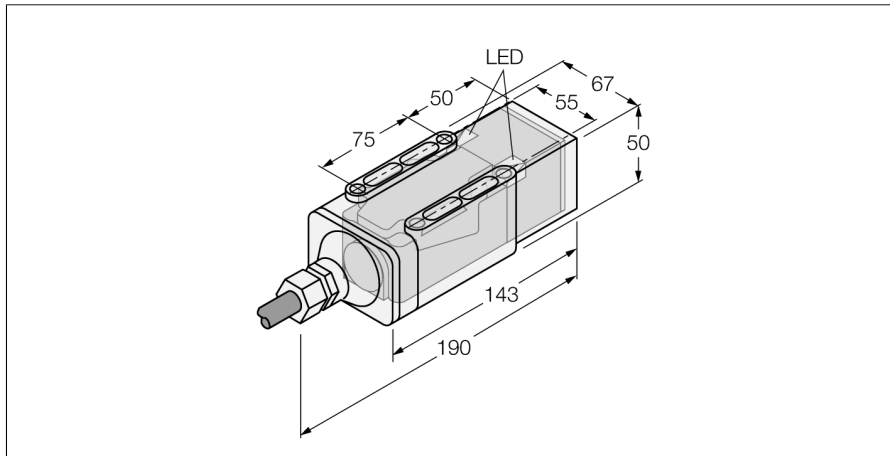
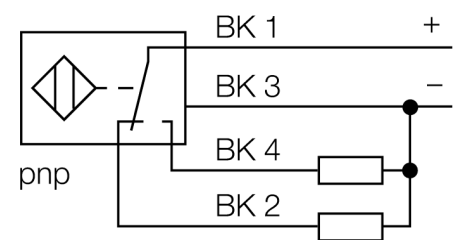


**Inductive sensor
for underwater applications
NI35-CP40-VP4X2/S369-F 30M**



- Rectangular, height 67 mm
- UV and ozone resistance
- Plastic, Ultem
- Encapsulated sensor
- Protection class IP68, 50 m water column
- 4-wire DC, 10...65 VDC
- Changeover contact, PNP output
- Cable connection

Wiring diagram



Functional principle

Inductive sensors detect metal objects contactless and wear-free. For this, they use a high-frequency electromagnetic AC field that interacts with the target. Inductive sensors generate this field via an RLC circuit with a ferrite coil.

We offer special versions for temperatures of -60 °C up to +250 °C.

Type code	NI35-CP40-VP4X2/S369-F 30M
Ident no.	1569425
Rated operating distance Sn	35 mm
Mounting condition	non-flush
Assured sensing range	≤ (0,81 x Sn) mm
Correction factors	St37 = 1; Al = 0.3; stainless steel = 0.7; Ms = 0.4
Repeatability	≤ 2 % of full scale
Temperature drift	10 %
Hysteresis	3...15 %
Ambient temperature	-25...+70 °C
Operating voltage	10...65VDC
Residual ripple	≤ 10 % U _{ss}
DC rated operational current	≤ 200 mA
No-load current I ₀	≤ 15 mA
Residual current	≤ 0.1 mA
Rated insulation voltage	≤ 0.5 kV
Short-circuit protection	yes
Voltage drop at I ₀	≤ 1.8 V
Wire breakage / Reverse polarity protection	yes/ complete
Output function	4-wire, changover contact, PNP
Protection class	☐
Switching frequency	0.15 kHz
Design	rectangular, CP40
Dimensions	190 x 67 x 50 mm
Housing material	plastic, Ultem
Connection	cable
Cable quality	6.6 mm, Ölflex rugged 215C, TPE, 30 m
Cable cross section	4 x 0.5 mm ²
Vibration resistance	55 Hz (1 mm)
Shock resistance	30 g (11 ms)
Protection class	IP68
Power-on indication	LED green
Switching state	LED yellow

**Inductive sensor
for underwater applications
NI35-CP40-VP4X2/S369-F 30M**

Distance D	4.5 x B
Distance W	3 x Sn
Distance S	1.5 x B
Distance G	6 x Sn
Distance N	1 x B

Width of the active face B 40 mm

