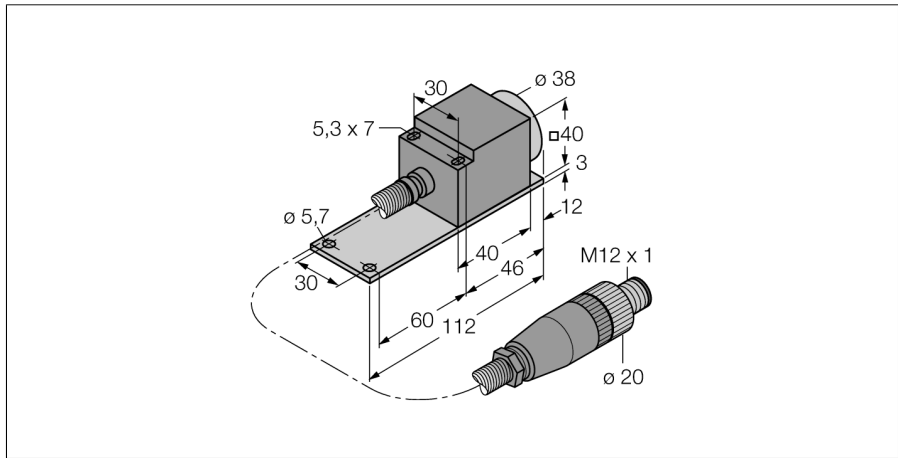


**Inductive sensor
with extended temperature range
NI25-CQP40/S1102 5M**



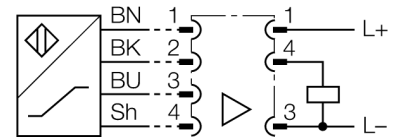
- Rectangular, height 40 mm
- Including aluminium base plate for drill hole compatibility to the CP40 housing
- Aluminium sensor housing
- Plastic, PEEK
- Aluminium cable sheath
- For temperatures up to +250°C
- To be used only with EM30-AP6X2-H1141/S1102 processing unit
- Switchpoint adjustable at the processing unit
- 3-wire connection to the processor

Type code	NI25-CQP40/S1102 5M
Ident no.	1602409

Rated operating distance Sn	25 mm
Mounting condition	non-flush, partially embeddable
Assured sensing range	≤ (0,81 x Sn) mm
Correction factors	St37 = 1; Al = 0.3; stainless steel = 0.7; Ms = 0.4
Repeatability	≤ 2 % of full scale
Hysteresis	3...15 %
Ambient temperature	0...+250 °C

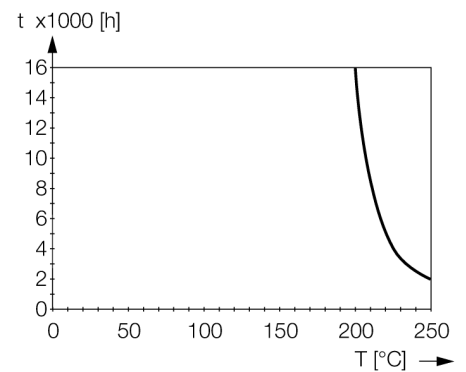
Design	rectangular, CQ40
Dimensions	52 x 40 x 40 mm
Housing material	plastic, AL
Connection	male, M12 x 1
	max. connector temperature -20...+70°C
Cable quality	3.7 mm, PTFE, FEP, 5 m
	Al cable sheath, Ø 8 mm
Cable cross section	3 x 0.34 mm ²
Vibration resistance	55 Hz (1 mm)
Shock resistance	30 g (11 ms)
Protection class	IP60

Wiring diagram



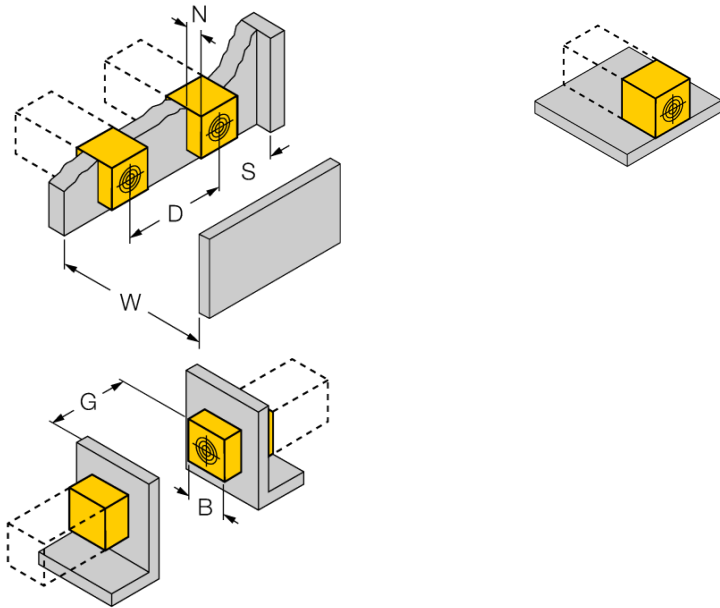
Functional principle

The sensors must be operated with a processor unit. When setting the switching distance at room temperature, the temperature sensitivity of the sensor must be taken into account. Special versions are available for ambient temperatures between -40°C and +250°C.



**Inductive sensor
with extended temperature range
NI25-CQP40/S1102 5M**

Distance W	3 x Sn
Distance S	1.5 x B
Distance G	6 x Sn
Distance N	2 x Sn
Distance A	1 x Sn
Distance C	2 x Sn
Width of the active face B	40 mm



1-side mounting on metal without modification of the switching distance

**Inductive sensor
with extended temperature range
NI25-CQP40/S1102 5M**

Accessories

Type code	Ident no.	Description	Dimension drawing
EM30-AP6X2-H1141/ S1102	1602411	processor for 250°C sensor; housing material: stainless steel 1.4571; protection degree: IP67; function display: LED/yellow; power ON indication: LED/green; ambient temperature: -20...+70°C; please order sensor separately	