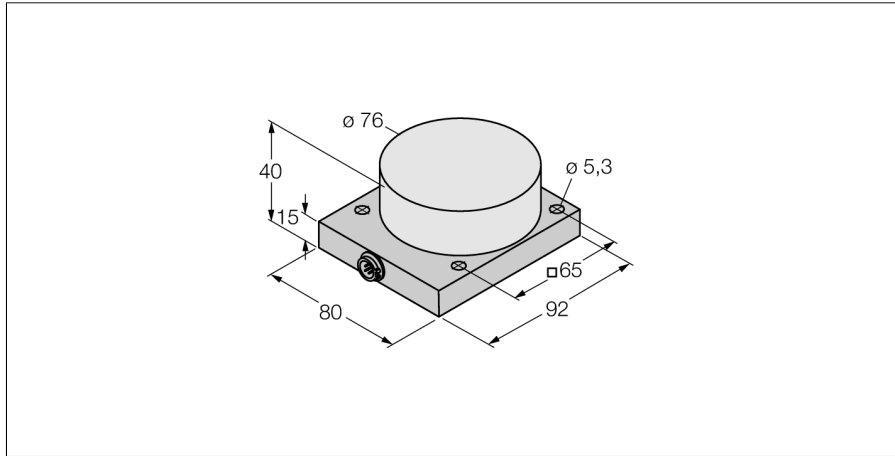
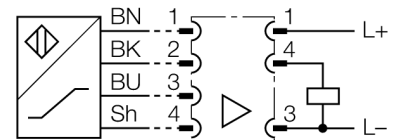


**Inductive sensor  
with extended temperature range  
NI40-CQ80-L1131/S1102**



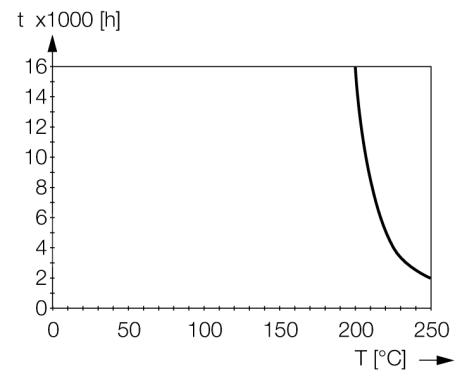
- Rectangular, height 40 mm
- Aluminium sensor housing
- Plastic, PEEK
- For temperatures up to +250°C
- To be used only with EM30-AP6X2-H1141/S1102 processing unit and with the HTC1102 \*M high-temperature connection cable
- Switchpoint adjustable at the processing unit
- 3-wire connection to the processor

**Wiring diagram**



**Functional principle**

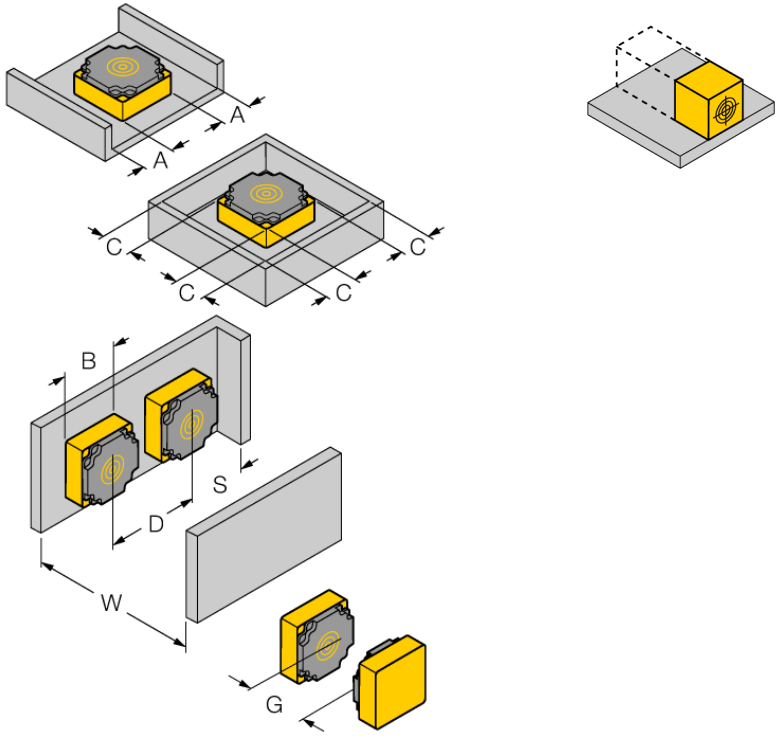
The sensors must be operated with a processor unit. When setting the switching distance at room temperature, the temperature sensitivity of the sensor must be taken into account. Special versions are available for ambient temperatures between -40°C and +250°C.



<b>Type code</b>	NI40-CQ80-L1131/S1102
Ident no.	1602406
<b>Rated operating distance Sn</b>	40 mm
Mounting condition	non-flush, partially embeddable
Assured sensing range	≤ (0,81 x Sn) mm
Correction factors	St37 = 1; Al = 0.3; stainless steel = 0.7; Ms = 0.4
Repeatability	≤ 2 % of full scale
Hysteresis	3...15 %
Ambient temperature	0...+250 °C
<b>Design</b>	rectangular, CQ80
Dimensions	92 x 80 x 40 mm
Housing material	plastic, AL
Connection	male
Vibration resistance	55 Hz (1 mm)
Shock resistance	30 g (11 ms)
Protection class	IP50

**Inductive sensor  
with extended temperature range  
NI40-CQ80-L1131/S1102**

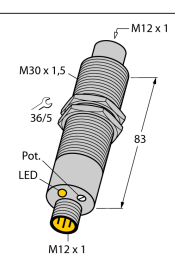
Distance W	3 x Sn
Distance S	1.5 x B
Distance G	6 x Sn
Distance A	1 x Sn
Distance C	2 x Sn
<hr/>	
Width of the active face B	76 mm



1-side mounting on metal without modification of the switching distance

**Inductive sensor  
with extended temperature range  
NI40-CQ80-L1131/S1102**

**Accessories**

Type code	Ident no.	Description	Dimension drawing
EM30-AP6X2-H1141/ S1102	1602411	processor for 250°C sensor; housing material: stainless steel 1.4571; protection degree: IP67; function display: LED/yellow; power ON indication: LED/green; ambient temperature: -20...+70°C; please order sensor separately	
HTC1102 10M	1602407	High temperature connection cable with aluminium protective sleeve, 10 m; up to 250°C ambient temperature; to be ordered separately	