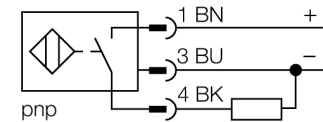


- Rectangular, height 40 mm
- Active face on top
- Plastic, PBT-GF30-V0
- 4 LEDs for optimum view on supply voltage and switching state from any position
- Factor 1 for all metals
- Increased switching distance
- Protection class IP68
- Resistant to magnetic fields
- Auto-compensation protects against pre-attenuation
- Partially embeddable
- 3-wire DC, 10...30 VDC
- NO contact, PNP output
- Male M12 x 1

Type code	NI75U-Q80-AP6X2-H1141
Ident no.	1625855
Rated operating distance S_n	75 mm
Mounting condition	non-flush, partially embeddable
Repeatability	≤ 2 % of full scale
Temperature drift	10 %
Hysteresis	3...15 %
Ambient temperature	-25...+70 °C
Operating voltage	10...30VDC
Residual ripple	≤ 10 % U_{sn}
DC rated operational current	≤ 200 mA
No-load current I_0	≤ 15 mA
Residual current	≤ 0.1 mA
Rated insulation voltage	≤ 0.5 kV
Short-circuit protection	yes/ cyclic
Voltage drop at I_0	≤ 1.8 V
Wire breakage / Reverse polarity protection	yes/ complete
Output function	3-wire, NO contact, PNP
Protection class	□
Switching frequency	0.25 kHz
Design	rectangular, Q80
Dimensions	92 x 80 x 40 mm
Housing material	plastic, PBT, yellow
Connection	male, M12 x 1
Vibration resistance	55 Hz (1 mm)
Shock resistance	30 g (11 ms)
Protection class	IP68
MTTF	874 years acc. to SN 29500 (Ed. 99) 40 °C
Power-on indication	LED green
Switching state	LED yellow

Wiring diagram

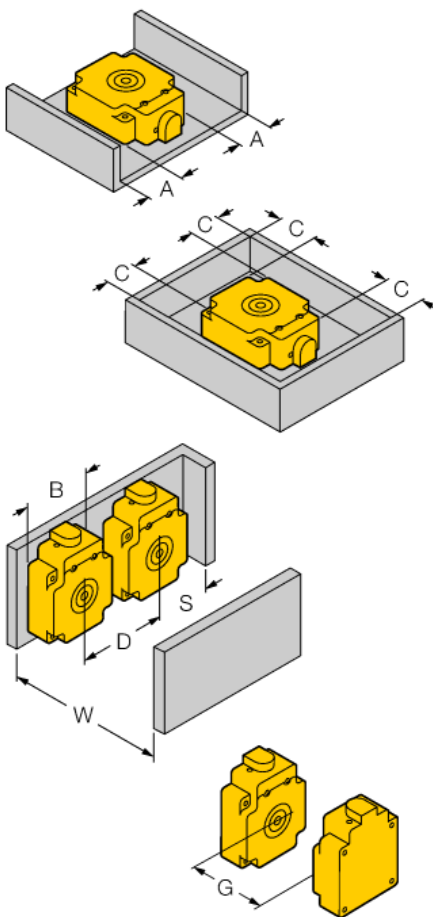


Functional principle

Inductive sensors detect metal objects contactless and wear-free. Due to the patented multi-coil system, *uprox*®+ sensors have distinct advantages over conventional sensors. They excel in largest switching distances, maximum flexibility and operational reliability as well as efficient standardization.

Distance D	240 mm
Distance W	225 mm
Distance S	60 mm
Distance G	450 mm
Distance A	20 mm
Distance C	80 mm

Width of the active face B 80 mm



Mounting on metal: $S_r = 75 \text{ mm}$

1-side mounting: $S_r = 50 \text{ mm}$

2-side mounting: $S_r = 45 \text{ mm}$

3-side mounting: $S_r = 40 \text{ mm}$

4-side mounting: $S_r = 40 \text{ mm}$

recessed mounting without metal baseplate: $S_r = 65 \text{ mm}$

The values stated relate to a 1 mm thick steel plate.

Switching distances with different target sizes:

Sheet steel 150 x 150 mm: $S_n = 65 \text{ mm}$

Sheet steel 60 x 60 mm: $S_n = 50 \text{ mm}$

Sheet steel 40 x 40 mm: $S_n = 40 \text{ mm}$

Sheet steel 120 x 40 mm: $S_n = 45 \text{ mm}$ (simulation of a skid runner)

Wiring accessories

Type code	Ident no.	Description	Dimension drawing
RKC4T-2/TEL	6625010	Connection cable, female M12, straight, 3-pin, cable length: 2 m, sheath material: PVC, black; cULus approval; other cable lengths and qualities available, see www.turck.com	