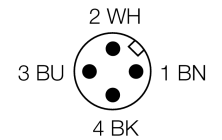
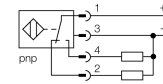


- Rectangular, height 40 mm
- Active face on top
- Plastic, PPS-GF30
- Factor 1 for all metals
- Resistant to magnetic fields
- High protection class IP69K, for harsh environments
- Protection against all common acid and alkaline cleaning agents
- Laser engraved label, permanently legible
- 4-wire DC, 10...30 VDC
- Changeover contact, PNP output
- Male M12 x 1

Type code	Ni75U-Q80WD-VP6X2-H1141
Ident no.	1625920
Rated operating distance Sn	75 mm
Mounting condition	non-flush, partially embeddable
Assured sensing range	≤ (0,81 x Sn) mm
Repeatability	≤ 2 % of full scale
Temperature drift	10 %
Hysteresis	3...15 %
Ambient temperature	-25...+70 °C
Operating voltage	10...30VDC
Residual ripple	≤ 10 % U _{ss}
DC rated operational current	≤ 200 mA
No-load current I ₀	≤ 15 mA
Residual current	≤ 0.1 mA
Rated insulation voltage	≤ 0.5 kV
Short-circuit protection	yes/ cyclic
Voltage drop at I _N	≤ 1.8 V
Wire breakage / Reverse polarity protection	yes/ complete
Output function	4-wire, changover contact, PNP
Protection class	□
Switching frequency	0.25 kHz
Design	rectangular, Q80WD
Dimensions	102 x 83 x 40 mm
Housing material	plastic, PPS-GF30, black
Connection	male, M12 x 1
Vibration resistance	55 Hz (1 mm)
Shock resistance	30 g (11 ms)
Protection class	IP68 / IP69K
MTTF	874 years acc. to SN 29500 (Ed. 99) 40 °C
Power-on indication	LED green
Switching state	LED yellow
Included in scope of supply	1x rubber sealing plate for rear mounting

Wiring diagram

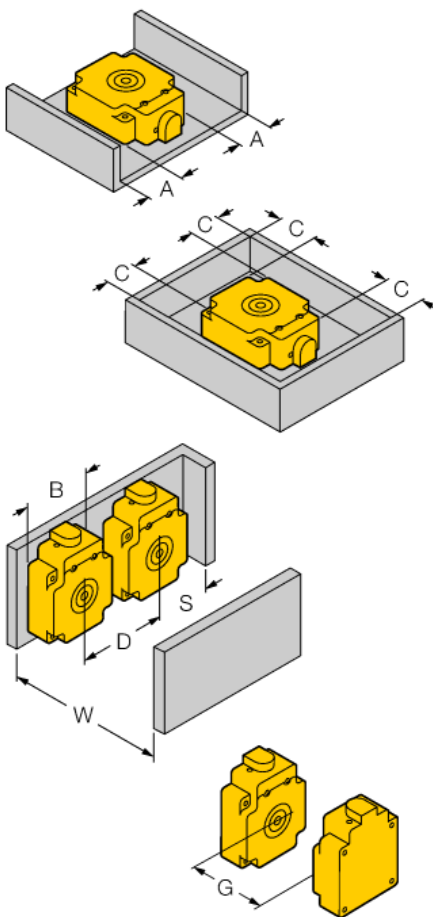


Functional principle

Inductive sensors detect metal objects contactless and wear-free. Due to the patented multi-coil system, *uprox*®+ sensors have distinct advantages over conventional sensors. They excel in largest switching distances, maximum flexibility and operational reliability as well as efficient standardization.

Distance D	240 mm
Distance W	225 mm
Distance S	60 mm
Distance G	450 mm
Distance A	20 mm
Distance C	80 mm

Width of the active face B 80 mm



Mounting on metal: Sr = 75 mm

1-side flush mounting: Sr = 50 mm

2-side flush mounting: Sr = 45 mm

3-side flush mounting: Sr = 40 mm

4-side flush mounting: Sr = 40 mm

recessed mounting without metal base plate: Sr = 65 mm

The values stated relate to a standard 1 mm thick sheet steel.

Switching distances with different target sizes:

Sheet steel 150 x 150 mm: Sn = 65 mm

Sheet steel 60 x 60 mm: Sn = 50 mm

Sheet steel 40 x 40 mm: Sn = 40 mm

Sheet steel 120 x 40 mm: Sn = 45 mm

Wiring accessories

Type code	Ident no.	Description	Dimension drawing
RKC4.4T-2/TEL	6625013	Connection cable, female M12, straight, 4-pin, cable length: 2 m, sheath material: PVC, black; cULus approval; other cable lengths and qualities available, see www.turck.com	