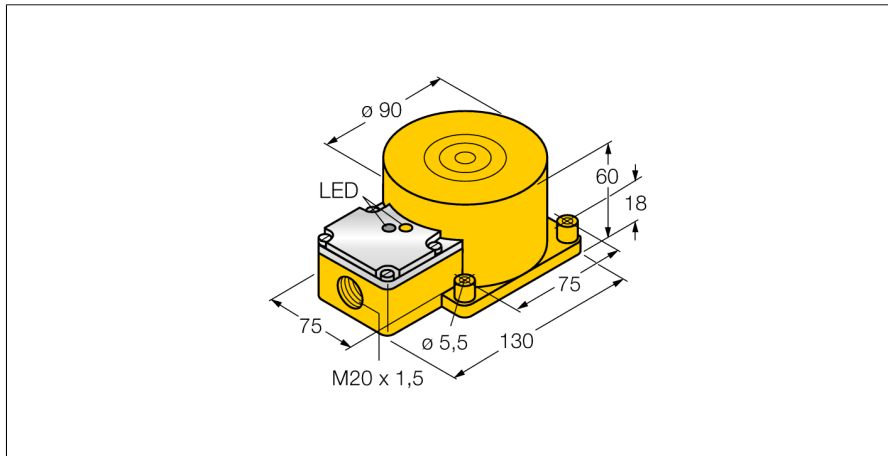


Inductive sensor NI60-K90SR-VP4X2

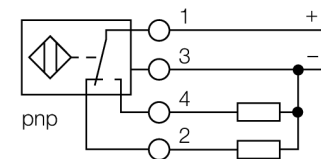
TURCK

Industrial
Automation



- Rectangular, height 60 mm
- Plastic, PBT-GF30-V0
- 4-wire DC, 10...65 VDC
- Changeover contact, PNP output
- Terminal chamber

Wiring diagram



Functional principle

Inductive sensors detect metal objects contactless and wear-free. For this, they use a high-frequency electromagnetic AC field that interacts with the target. Inductive sensors generate this field via an RLC circuit with a ferrite coil.

We offer special versions for temperatures of -60 °C up to +250 °C.

Type code	NI60-K90SR-VP4X2
Ident no.	15640
Rated operating distance Sn	60 mm
Mounting condition	non-flush
Assured sensing range	≤ (0,81 x Sn) mm
Correction factors	St37 = 1; Al = 0.3; stainless steel = 0.7; Ms = 0.4
Repeatability	≤ 2 % of full scale
Temperature drift	10 %
Hysteresis	3...15 %
Ambient temperature	-25...+70 °C
Operating voltage	10...65VDC
Residual ripple	≤ 10 % U _{ss}
DC rated operational current	≤ 200 mA
No-load current I ₀	≤ 15 mA
Residual current	≤ 0.1 mA
Rated insulation voltage	≤ 0.5 kV
Short-circuit protection	yes
Voltage drop at I ₀	≤ 1.8 V
Wire breakage / Reverse polarity protection	yes/ complete
Output function	4-wire, changeover contact, PNP
Switching frequency	0.06 kHz
Design	rectangular, K90SR
Dimensions	130 x 75 x 60 mm
Housing material	plastic, PBT
Connection	terminal chamber
Clamping ability	≤ 2.5 mm ²
Vibration resistance	55 Hz (1 mm)
Shock resistance	30 g (11 ms)
Protection class	IP67
MTTF	2283 years acc. to SN 29500 (Ed. 99) 40 °C
Power-on indication	LED green
Switching state	LED yellow
Included in scope of supply	cable gland

Inductive sensor NI60-K90SR-VP4X2

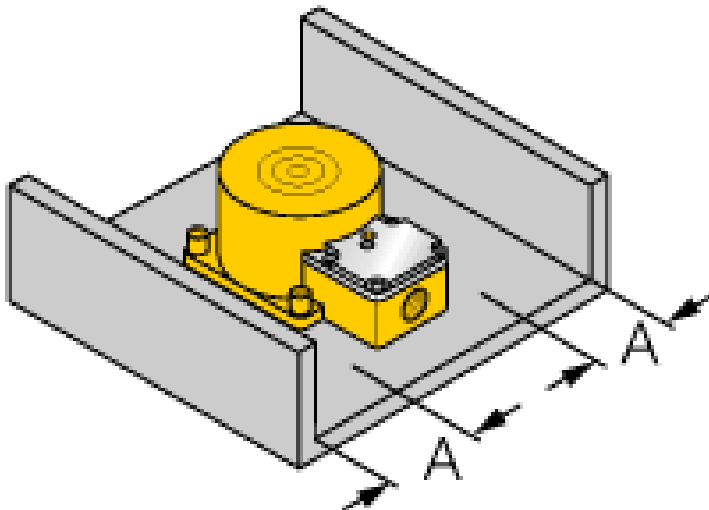
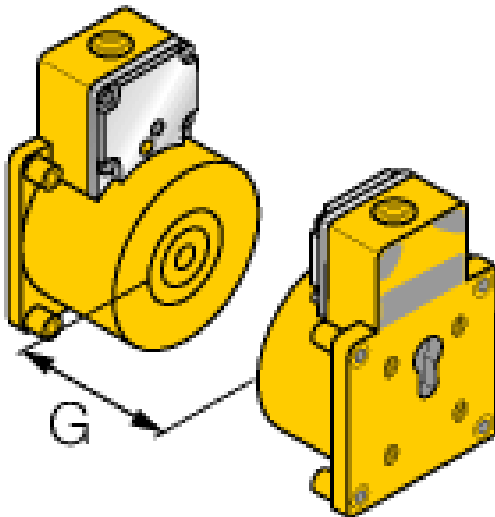
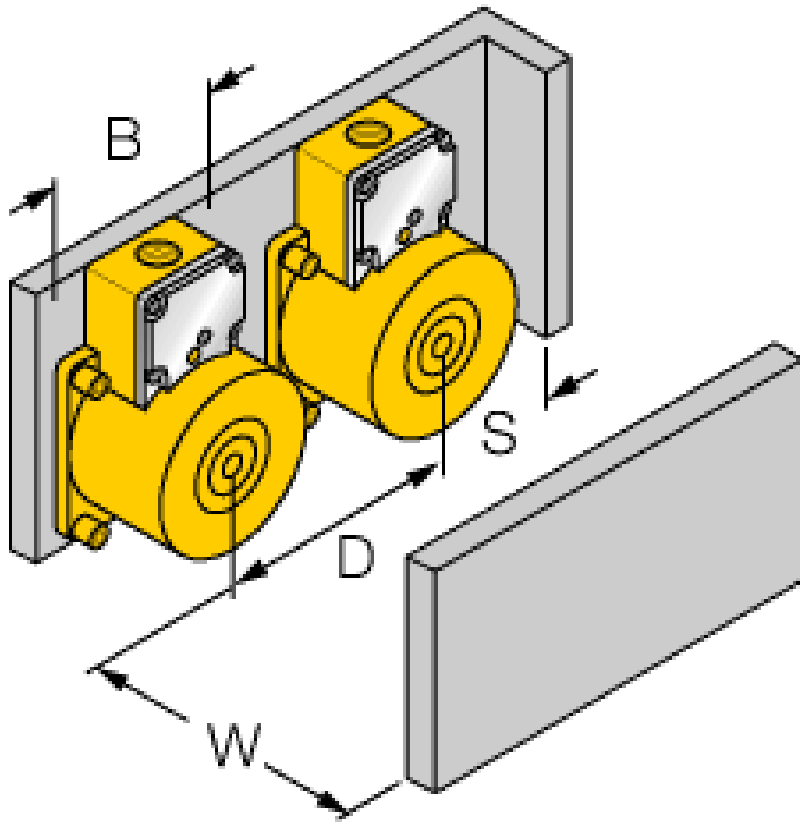
TURCK

Industrial
Automation

Distance W	3 x Sn
Distance S	1.5 x B
Distance G	6 x Sn
Distance A	1 x Sn
Distance C	2 x Sn

Width of the active face B	90 mm
-----------------------------------	-------

Inductive sensor
NI60-K90SR-VP4X2



**Inductive sensor
NI60-K90SR-VP4X2**

TURCK

Industrial
Automation